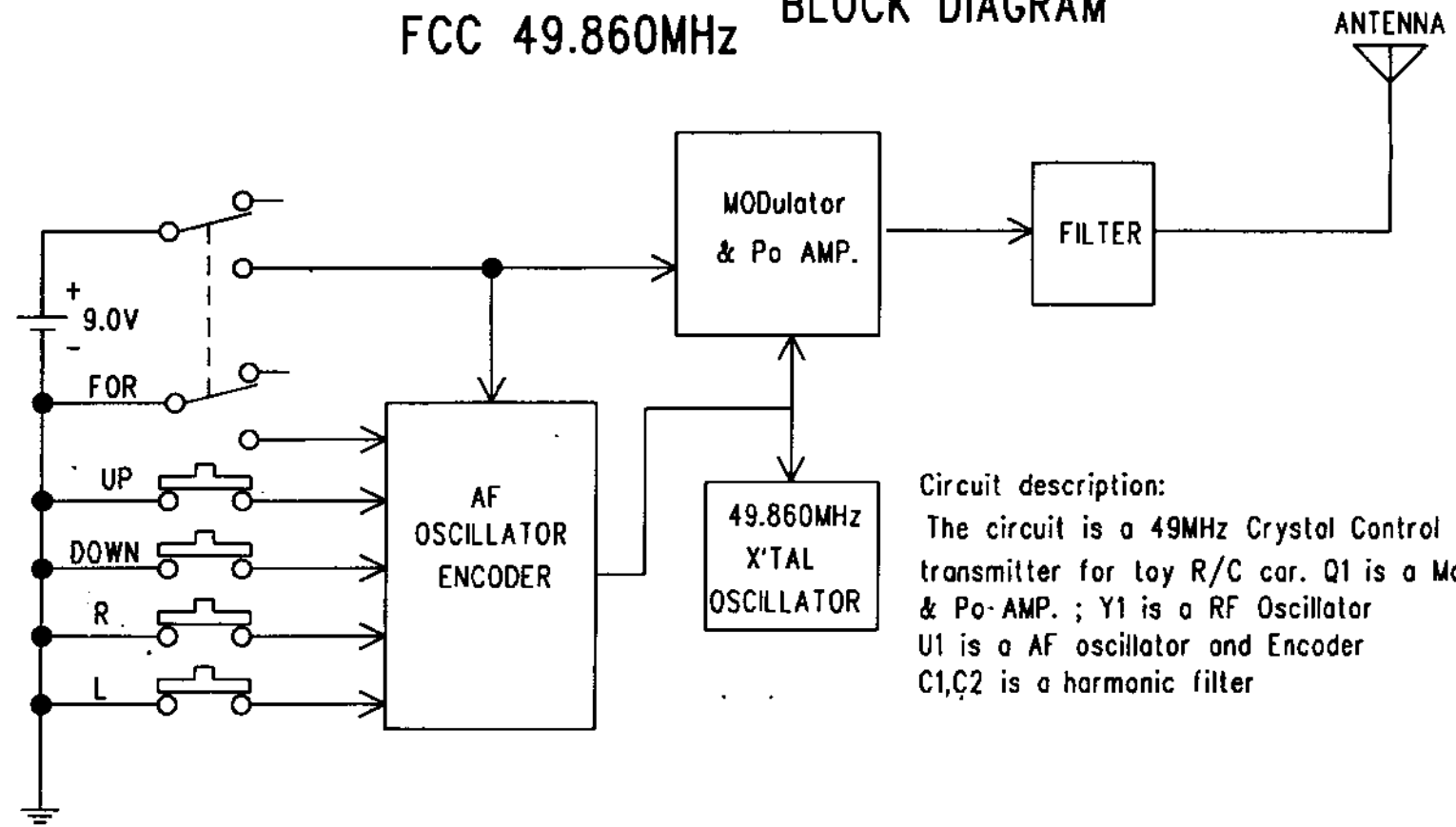


# TX FCC 49.860MHz BLOCK DIAGRAM



Circuit description:  
The circuit is a 49MHz Crystal Control transmitter for toy R/C car. Q1 is a Modulator & Po-AMP. ; Y1 is a RF Oscillator U1 is a AF oscillator and Encoder C1,C2 is a harmonic filter