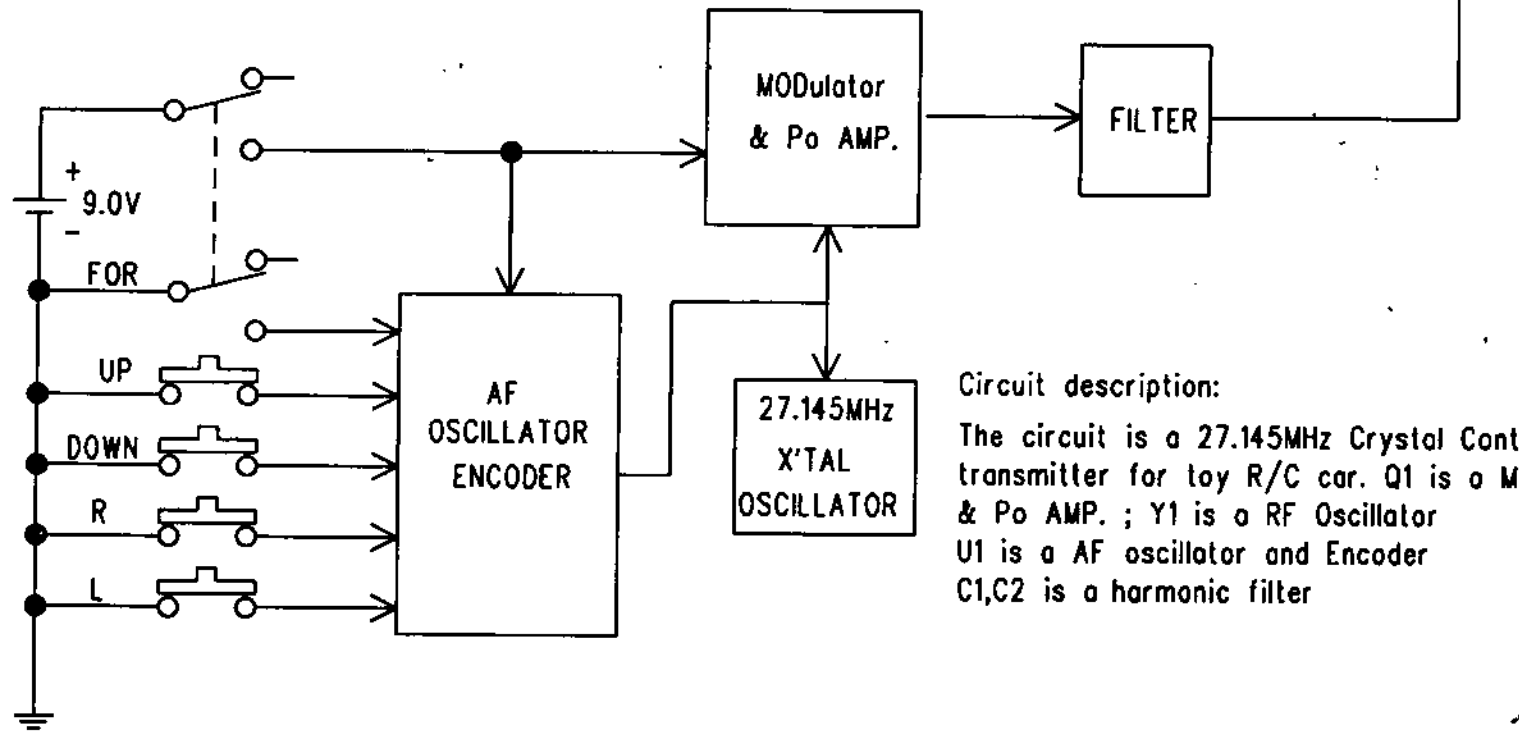


OKP0210 TX
FCC 27.145MHz

BLOCK DIAGRAM



Circuit description:
The circuit is a 27.145MHz Crystal Control transmitter for toy R/C car. Q1 is a Modulator & Po AMP. ; Y1 is a RF Oscillator U1 is a AF oscillator and Encoder C1,C2 is a harmonic filter