

8

7

6

5

4

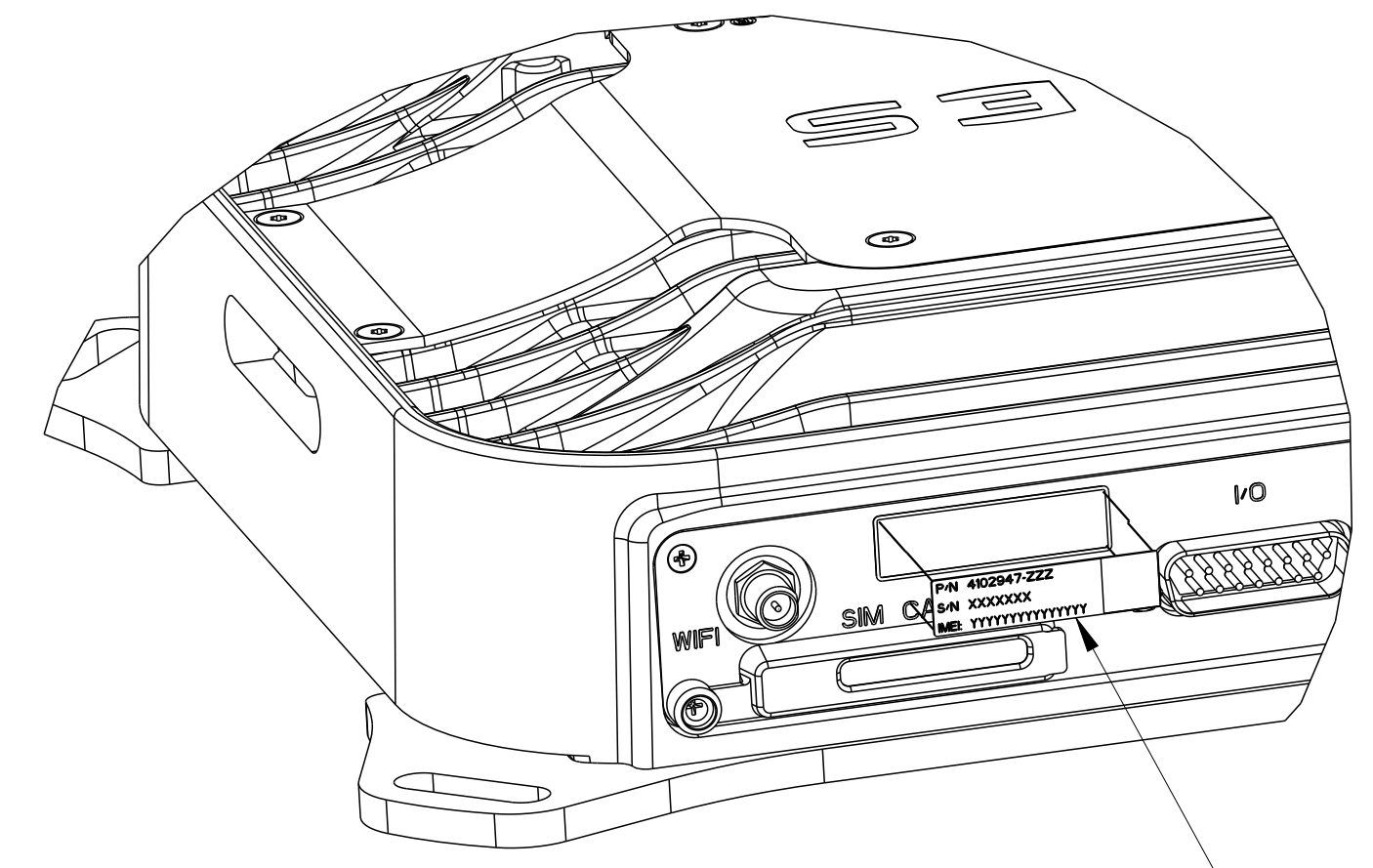
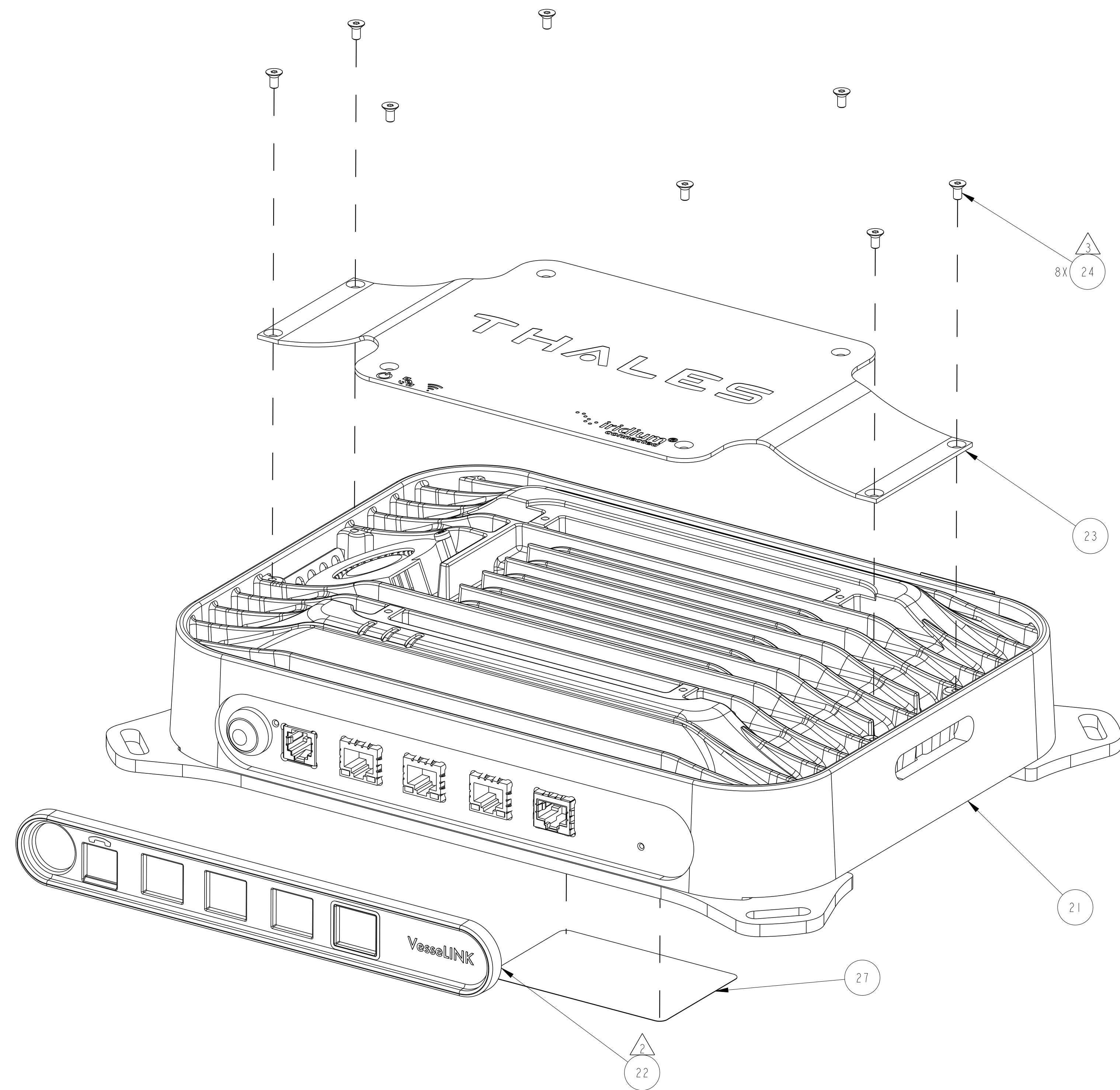
3

2

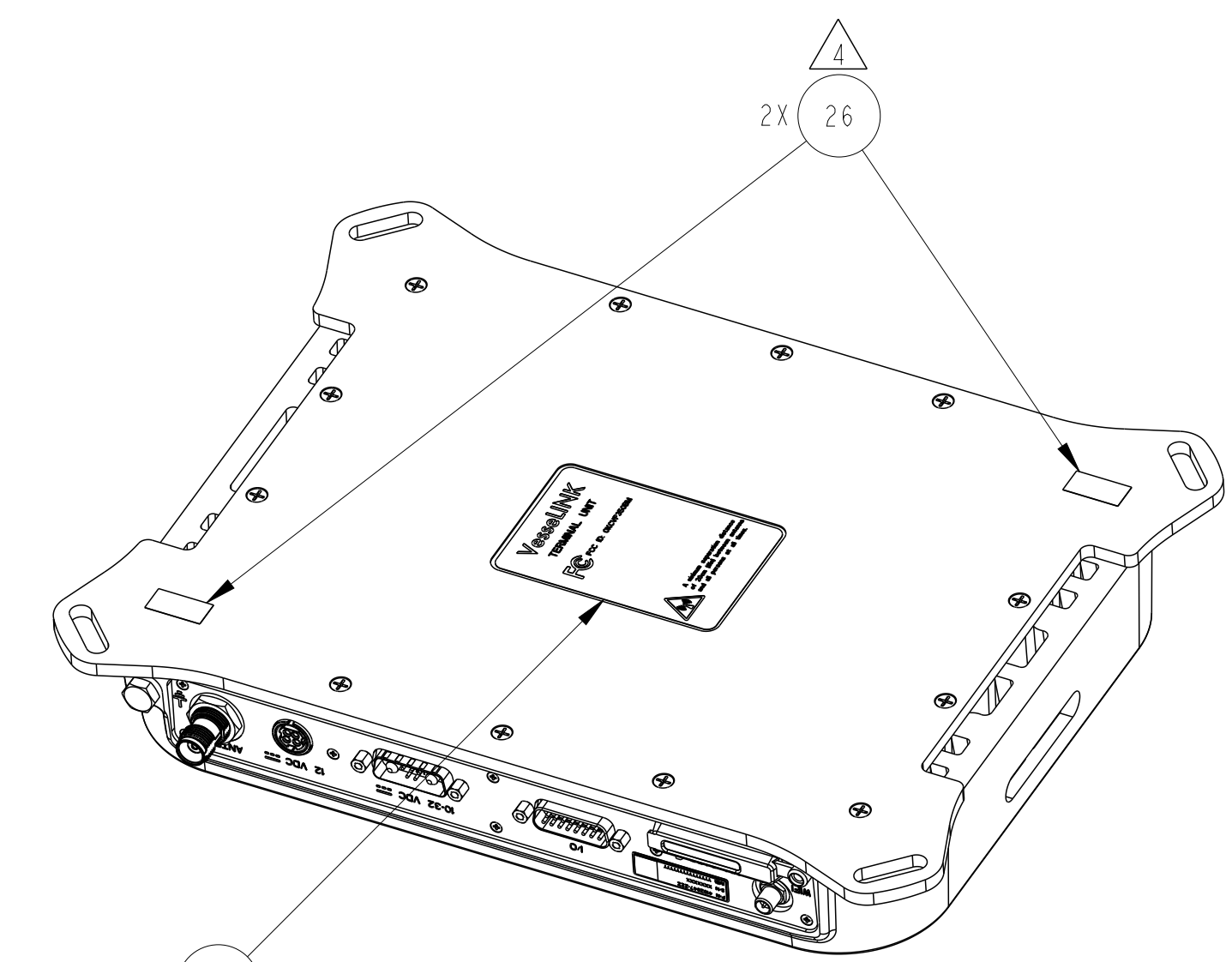
1

NOTES: UNLESS OTHERWISE SPECIFIED.

- 1. INTERPRET DRAWING PER ASME Y14.100-2013.
- 2. CLEAN MOUNTING SURFACE OF ITEM 21 BEFORE INSTALLING ITEM 22.
- 3. TORQUE ITEM 24 TO 5.00 ± .50 IN-LBS.
- 4. APPLY ITEMS 26 APPROXIMATELY AS SHOWN
- 5. PACKAGE TO PROTECT. BAG AND TAG PER MIL-STD-130. MARK "23386 4102947-X REV Y" WHERE X IS THE APPLICABLE DASH NUMBER AND Y IS THE APPLICABLE PART REVISION.



LABEL DETAIL A  
ALL VARIANTS



LABEL DETAIL B  
ALL VARIANTS  
SCALE: 0.500

-501 & -505 VARIANTS

SEE SEPARATE PARTS LIST

INFORMATION SUBJECT TO EXPORT CONTROL LAWS  
 This document contains technology controlled  
 for export by the U.S. Department of Commerce in  
 accordance with the Export Administration Regulations.  
 Diversion contrary to U.S. law prohibited.

Copyright © 2017-2018, Thales Defense & Security, Inc.  
 All Rights Reserved

THALES PROPRIETARY

UNLESS OTHERWISE SPECIFIED: DIMENSIONS ARE IN INCHES: TOL'S ARE: FRACTIONS: DECIMALS: DO NOT SCALE DRAWING		<b>THALES</b> THALES DEFENSE & SECURITY, INC. CLARKSBURG, MARYLAND 20871	
STATE: Prototype		TITLE: TERMINAL UNIT IRIDIUM CERTUS	
ITERATION: 3.8	SIZE: D	CAGE CODE: 23386	DWG. NO.: 4102947
DRAWN: DLH	DATE: 04-13-17	SCALE: 1.000	SHEET: 1 of 2

8

7

6

5

4

3

2

1

8

7

6

5

4

3

2

1

D

D

C

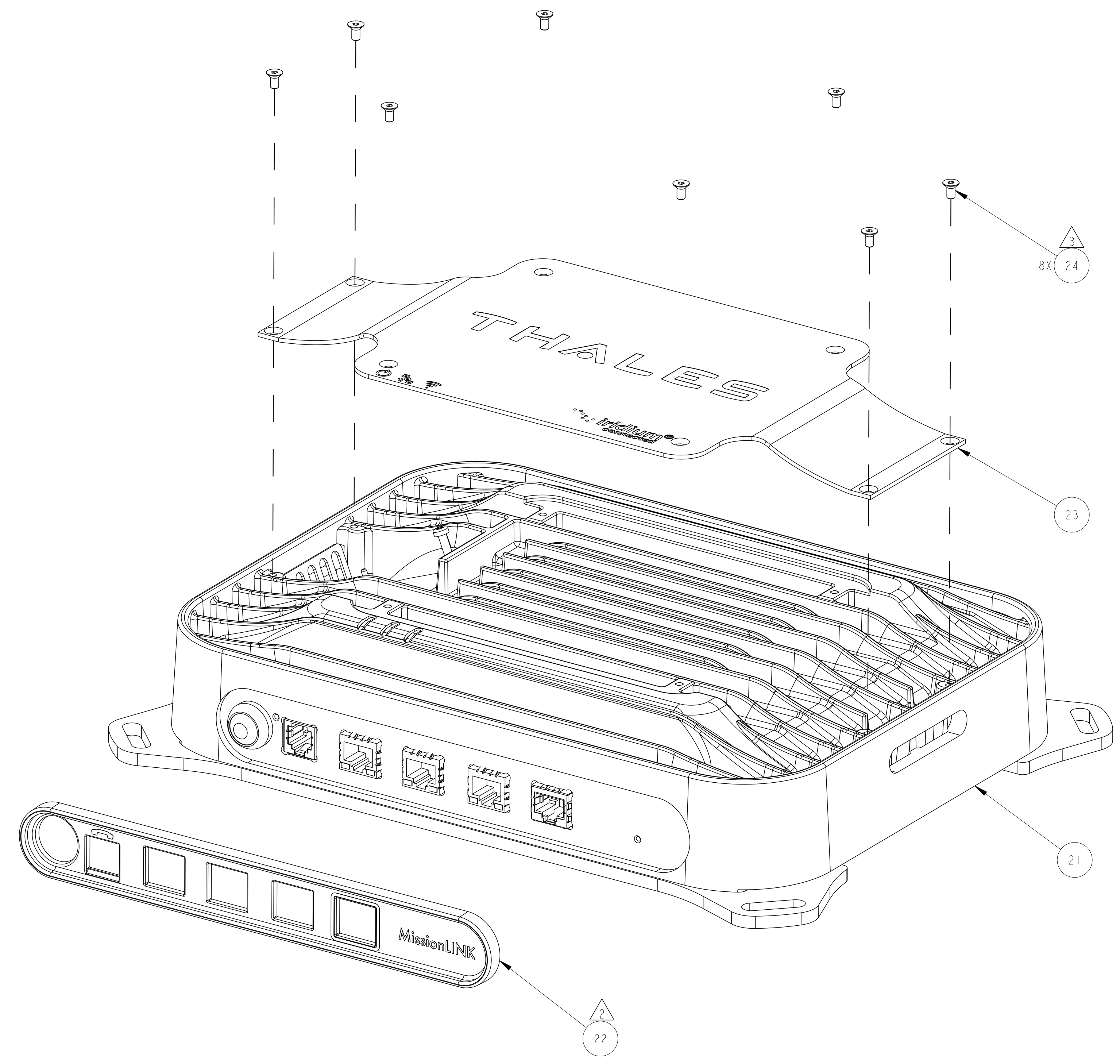
C

B

B

A

A



-502 & -504 VARIANTS

<b>THALES</b>		THALES DEFENSE & SECURITY, INC.	
		CLARKSBURG, MARYLAND 20871	
SIZE	CAGE CODE	DWG NO.	REV
D	23386	4102947	3
SCALE: 1.000			SHEET: 2 of 2