

Sky Eye



HD Camera Drone RTF Instruction Manual

Operating instructions

2.4GHz

ITEM NO. AA07401



Sky Eye
HD Camera Drone RTF

Please contain important information in the manual



180mm



180mm



73g



3.7V 720mAh



Important Instruction

This product is not a toy but a precise equipment that integrating mechanics and electronics with expertise of aerodynamics and high-frequency transmitting.

It requires be correctly assembling and debugging so as to prevent the accident from being happened. The product owner should operate or control it in safe way. This product is suitable to be used by people who has operating experience in flying model, Teenager operation the product must be with adult who age more than 18years old and with full capacity for civil conduct.

1. Please read the manual very carefully when first operation. And know more about the use of transmitter function. Suggest beginner don't switch to advanced mode.
2. This R/S flying model is a high dangerous commodity. Please make sure that it should be flied far away from the crowd. Please also pay more attention to the phenomenon such as incorrect assembly or damaged model or incorrect connection of electronic control equipment. Please also pay attention to the flying safety when operating and know more about the accident that may be happened due to your own negligence.
3. Transmitter Should be used gently to avoid the drop hit.

Cautions



The warning belongs to high speed rotating parts, the aircraft before take-off, please make sure that the blade has been properly installed; don't put the blade rotation close to the hands and eyes and hair cut, avoid winding or aircraft imbalance damage risk. In order to ensure aviation radio (station) electromagnetic environment requirements, prohibited in the airport runway center point as the center, using a variety of transmitter model of radius 5000M region. During the period when the relevant departments of the state issued a radio control order, the area shall stop the use of the model transmitter as required.

FCC Warning Statement

Changes or modifications not expressly approved by the party responsible for compliance could void the user's authority to operate the equipment.

This equipment has been tested and found to comply with the limits for a Class B digital device, pursuant to Part 15 of the FCC Rules. These limits are designed to provide reasonable protection against harmful interference in a residential installation. This equipment generates uses and can radiate radio frequency energy and, if not installed and used in accordance with the instructions, may cause harmful interference to radio communications. However, there is no guarantee that interference will not occur in a particular installation. If this equipment does cause harmful interference to radio or television reception, which can be determined by turning the equipment off and on, the user is encouraged to try to correct the interference by one or more of the following measures:

- Reorient or relocate the receiving antenna.
- Increase the separation between the equipment and receiver.
- Connect the equipment into an outlet on a circuit different from that to which the receiver is connected.
- Consult the dealer or an experienced radio/TV technician for help.

This device complies with part 15 of the FCC rules. Operation is subject to the following two conditions (1) this device may not cause harmful interference, and (2) this device must accept any interference received, including interference that may cause undesired operation.

Packing list



quadcopter



transmitter



hood



Memory card



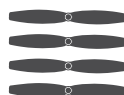
AA battery



quadcopter battery



USB charger/cable

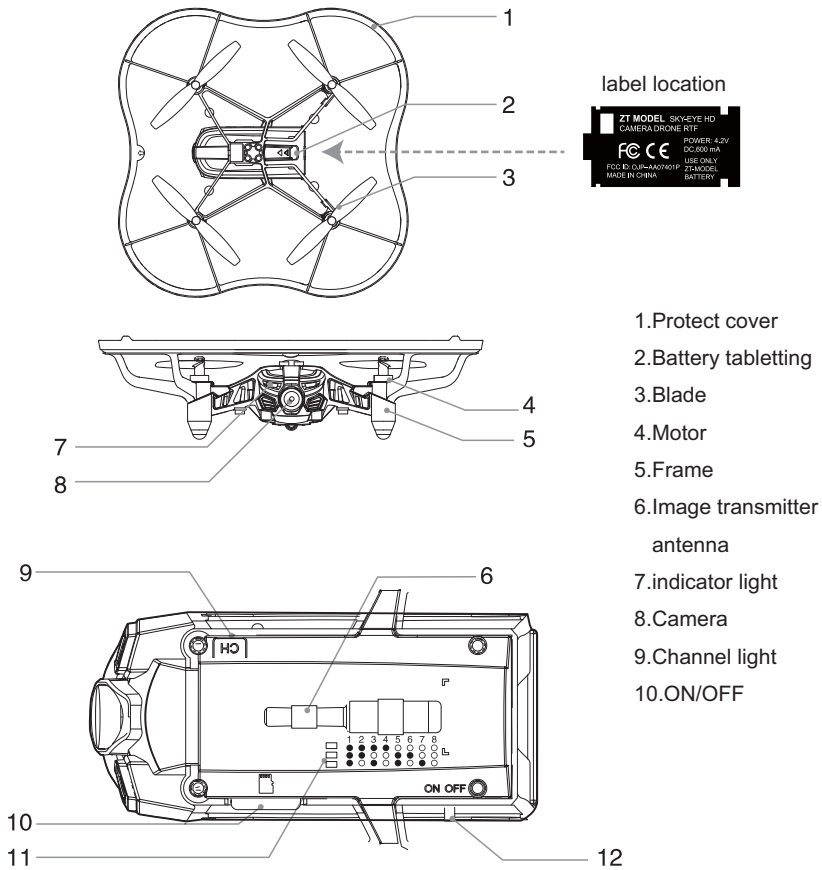


spare blade

specification

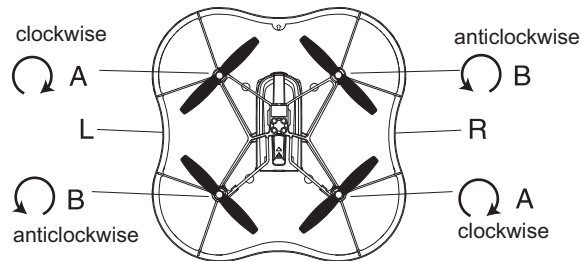
Item	AA07401
Product measure	180*180mm
Product weight	about 73g
Battery spec.	3.7V 720mAh lithium battery
Control mode	2.4GHzan
Charger	USB charger or C-410 charger(option)
Charger time	about 60mins
Flying time	about 6mins
Control distance	about 150m
Image transmission	about 150m
Transmitter	4.3" display with playback function when insert memory card

Quadcopter parts



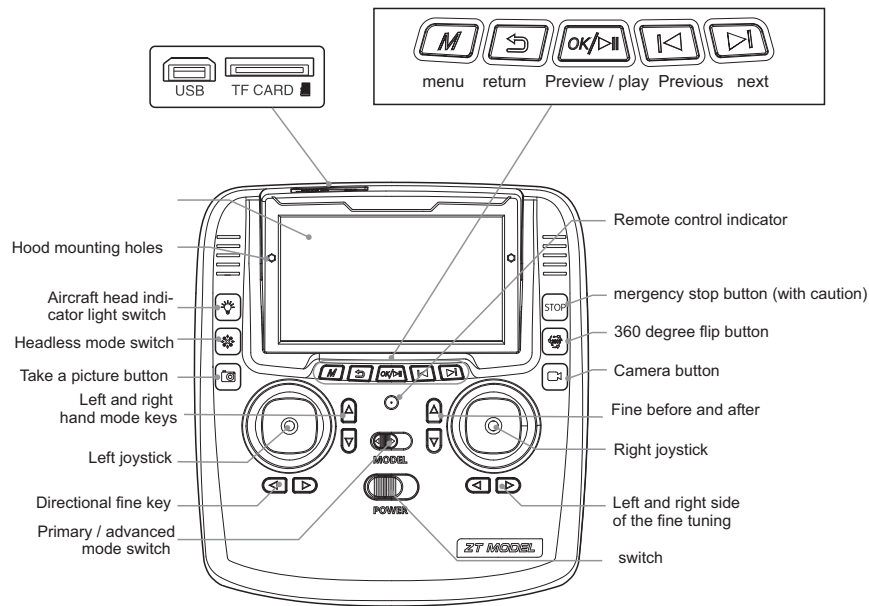
- 1.Protect cover
- 2.Battery tabletting
- 3.Blade
- 4.Motor
- 5.Frame
- 6.Image transmitter antenna
- 7.indicator light
- 8.Camera
- 9.Channel light
- 10.ON/OFF

Install blade

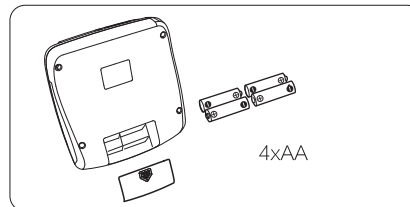


Please pay attention the blade A type and B type, the install method as shown.

Transmitter parts

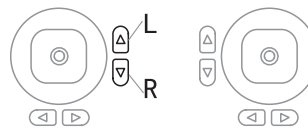


※ Above for the left hand throttle mode remote control operation icon



Switch left and right hand mode

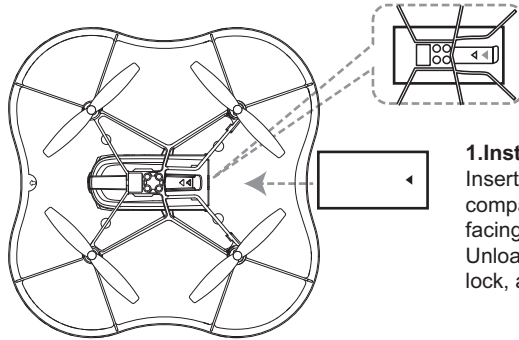
The transmitter default throttle by left hand, turn off the power, press "R" and turn on the power same time if change to right hand, it will be heard "di di" means switch success;
Turn off the power, press "L" and turn on the power same time if change to right hand, it will be sound "di di" means switch success.



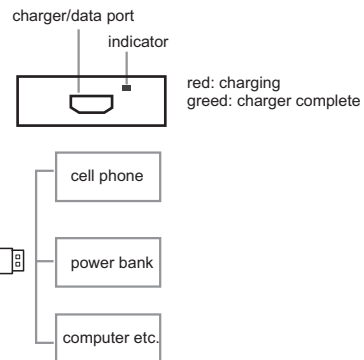
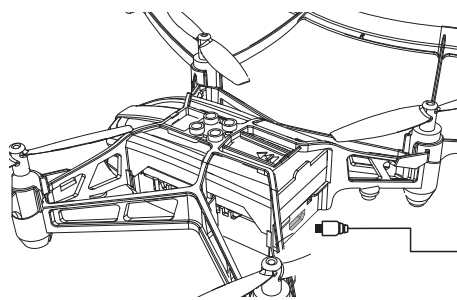
Adjustment data back t initializes

Turn off the transmitter power, press headless mode button, and turn on the transmitter power, it will be sound "di di".

Install and charge battery



1. Install and tear down the battery.
Insert the battery into the battery compartment, triangle-shaped label facing up.
Unloaded the battery need pull the lock, and pull out the battery.



2. Charge battery

Turn off the power, insert the USB cable, and connect to 5V 1A power. Like phone charger, power bank and so on. It will be see RED light when charge the power. See green light means charge finish

3. Data transmission

Turn on the power, and insert the USB cable connect with computer.

C-410 battery charger. (option)



C-410 connect with power adapter, insert the battery into the C-410, RED light mean battery is charging, GREEN light mean battery full. C410 can charge 4pcs battery same time.

Important matters need attention

Please read the manual very carefully, before operation the battery, its dangerous goods,

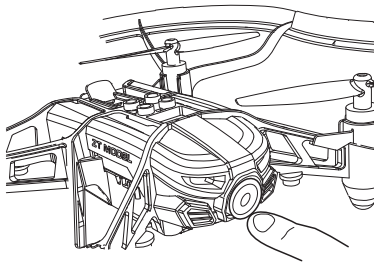
Please turn off the power when charge battery.

Please far away the fire and dangerous place.

Please don't be disassemble the quadcopter and battery.

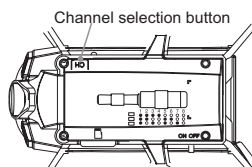
Please use the USB cable and C-410 to charge only.

Camera adjustment.

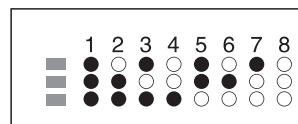


The camera can adjust the up and down position by finger. And watch the effect from the display.

Choose Video channel



● Indicator light off ○ Indicator light on



The quadcopter set 8 channels, you can setting the channel from the setting button that under the quadcopter body. The light with 8 kind of combination. After setting the channel, please matching the channel from the transmitter or auto searching. The transmitter channel must be same to quadcopter setting. After matching, the display correct image and video.

1. At the beginning, read the quadcopter channel, and setting choose manual.
2. Press or button 3 secs, it will be operate AUTO searching correct channel.
3. Press choose manual, it will be operate AUTO search correct channel.

* Suggest choose channel 1

Suggest open the image transmission not more than 3pcs of quadcopter
Suggest separate the interval channel if more than 1pcs of quadcopter

Display function

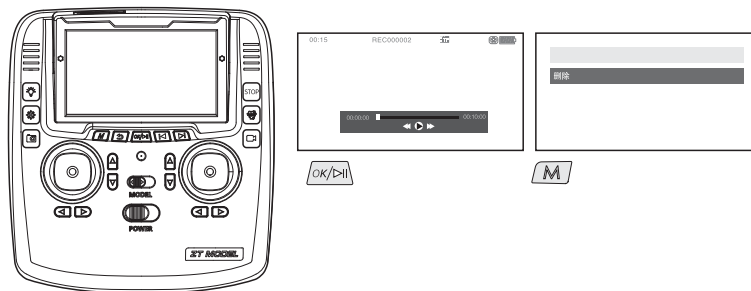


manual function

- | | |
|------------------------------|---------------------|
| 1. Choose channel | 6. set language |
| 2. Display intensity control | 7. format |
| 3. set contrast | 8. factory settings |
| 4. set Saturation | |
| 5. set backlight | |

Insert TF card replay function

Insert the TF card from quadcopter, open the transmitter power, press **OK/▶** button, read the picture and video from TF card.
 Press **←** or **▶** choose picture or videos, press **OK/▶** to play.
 At the preview state, press M button into cancel manual option.
 This function check the picture and video only.



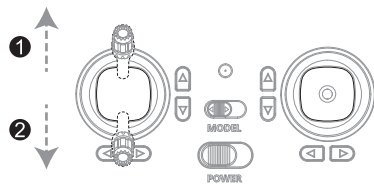
Flying operation guider

Ready to fly

Please read the manual very carefully before operate the quadcopter.
Choose the good place and good weather, and check the product everything is well.
Before fly.
When Indicator light from green right change to red light, the mean is power will be empty. Please choose the right place to landing.
Transmitter indicator light blink red light and sound "di di", it means transmitter power will be empty.

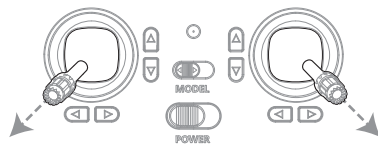
※ 以下飞行方法为左手油门模式遥控器操控图示。

Match the channel



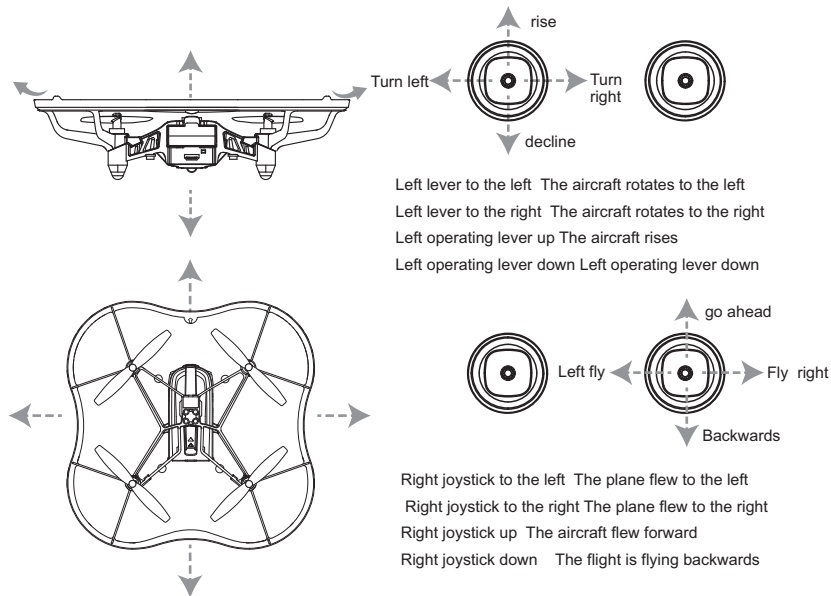
When the quadcopter indicator flashing, please push the throttle lever to the highest position Then the quadcopter indicator changed from flashing to normal lights up.

Unlock Protection



In order to wrong operation, the program setting protection mode, in this state, transmitter can not control quadcopter, please follow the picture action, and keep 3 secs, the blade start to work, if without any other action, the quadcopter will into protection mode.

Operate



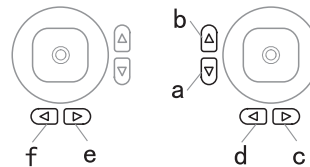
Functions introduction

Please find the way to adjust the quadcopter as below:

Forward and backward
 Use the b and a adjust it.

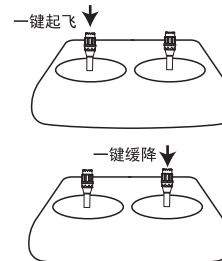
Left and right
 Use the d and c adjust it

Direction adjust
 Use the f and e adjust it.



One key fly
 Unlock protection mode, press the left joystick, the quadcopter vertical launching 1 meter.

One key landing
 Make sure the landing place, press the right joystick, the quadcopter landing and turn off the power.



360° flip

Make sure the quadcopter at the safe place, press 360° button , and use direction joystick choose the flip direction, it will be closed this function when quadcopter power not enough

primary mode / advanced mode

quadcopter offer primary mode and advanced mode, use the button on the transmitter change two mode.

At the advanced mode, the fly speed more fast, Action is more sensitive

Headless mode instructions

The remote direction of the transmitter as a guider for the flight direction of the quadcopter, do not worry too far to control the quadcopter's flight. Easier and more convenience operation.

Forced landing

Use this function when get urgent situation.

Press this button , quadcopter cut off the all power, please use it carefully if the quadcopter place to high altitude



HANGZHOU ZT MODEL CO.,LTD.

ADD:NO.6.MINGDE RD.,PUYAN SCI-TECH
ZONE,BINJIANG,HANGZHOU,CHINA
Tel:86-571-82877488 Fax:86-571-82877241
Postcode:310053

www.ztmodel.com