

DAM-E8-N1-N0-000-04-02 Specification

1. Explanation of Part Number

DAM - E8 - N1 - N0 - 000 - 04 - 02
 (1) (2) (3) (4) (5) (6) (7)

(1) Product type: DAM-Dipole Antenna Module

(2) Appearance Series: E8

(3) Frequency: N1:3300-5000MHz

(4) Coaxial Cable Specification: N0

(5) Coaxial Cable Length: 0mm

(6) Connector Types: 04= SMA

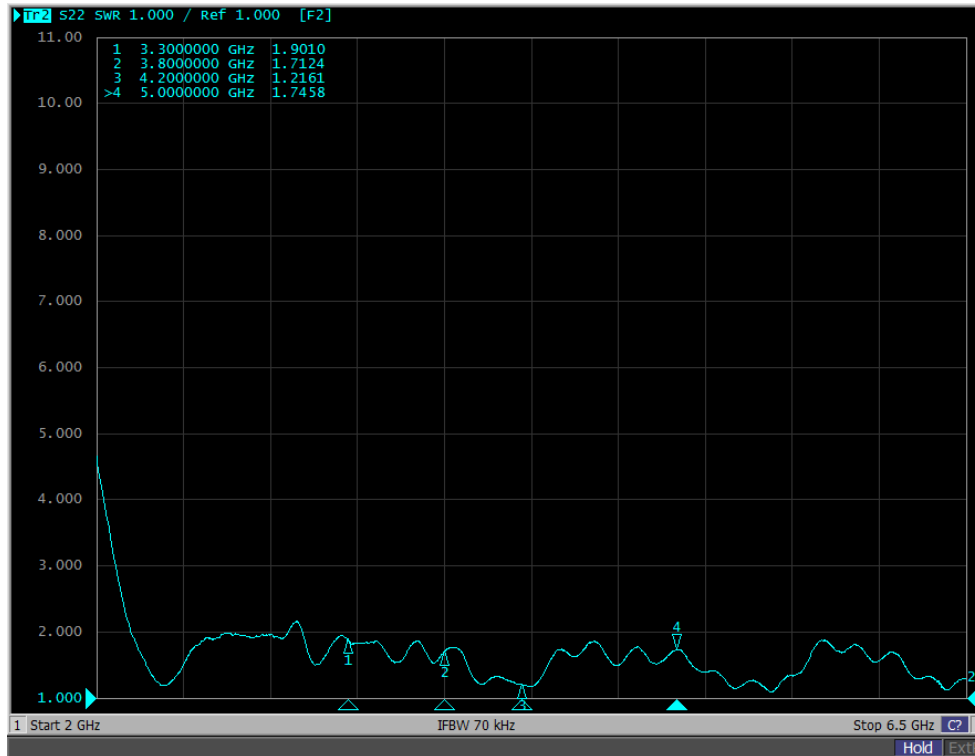
(7) Suffix for special requirements: 02

※ RoHS Compliant

2. Electrical properties:

Item	Property
Frequency Range	3300-5000 MHz
Impedance	50 Ω (Typ.)
Antenna Gain	Tyc. 6dBi
VSWR	3.0 max.

2-1 VSWR



UNLESS OTHER SPECIFIED TOLERANCES ON :

X=NA X.X=NA X.XX=NA
 ANGLE=NA HOLE DIA.= NA



INPAQ TECHNOLOGY CO., LTD.

SCALE : NA

UNIT : mm

DRAWN BY : 彭少君

CHECKED BY: 洪賢修

DESIGNED BY: 彭少君

APPROVED BY: 謝立庭

THIS DRAWINGS AND SPECIFICATIONS ARE THE PROPERTY OF INPAQ TECHNOLOGY CO.,LTD.AND SHALL NOT BE REPRODUCED OR USED AS THE BASIS FOR THE MANUFACTURE OR SALE OF APPARATUS OR DEVICES WITHOUT PERMISSION

TITLE : DAM-E8-N1-N0-000-04-02

DOCUMENT NO.

ENS000155320

PAGE REV.

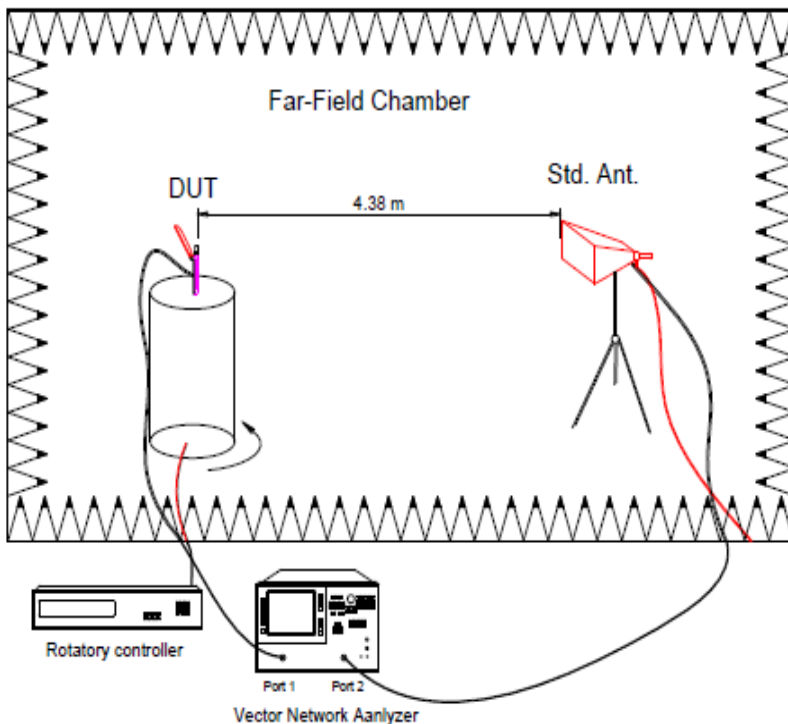
A1

2-1 Gain and Radiation Pattern


2-2.1 Measure method

1. Using a low loss coaxial cable to link a standard handset jig
2. Fixed this handset jig on chamber 's rotator plane
3. Linking jig into network analyzer port and using a probing horn antenna to collect data
4. Using another standard gain horn antenna to calibrated those data

2-2.2 Chamber definition



1. An anechoic chamber (7m*4m*3m) which satisfied far-field condition was applied to avoid multi-path effect
2. The quiet room region is 40cm*40cm*40cm at the center of rotator
3. The distance between DUT and standard antenna is 4.38m
4. Probing antenna (9120D horn antenna) and standard gain horn antenna (BBHA9120LPF 700MHz~6GHz)

UNLESS OTHER SPECIFIED TOLERANCES ON :		 INPAQ TECHNOLOGY CO., LTD.
X=NA X.X=NA X.XX=NA ANGLE=NA HOLE DIA.= NA		
SCALE : NA	UNIT : mm	THIS DRAWINGS AND SPECIFICATIONS ARE THE PROPERTY OF INPAQ TECHNOLOGY CO.,LTD.AND SHALL NOT BE REPRODUCED OR USED AS THE BASIS FOR THE MANUFACTURE OR SALE OF APPARATUS OR DEVICES WITHOUT PERMISSION
DRAWN BY : 彭少君	CHECKED BY: 洪賢修	
DESIGNED BY: 彭少君	APPROVED BY: 謝立庭	
TITLE : DAM-E8-N1-N0-000-04-02		DOCUMENT NO. ENS000155320
		PAGE REV. A1

2-2.3 Efficiency & Gain (dBi)

Frequency	Efficiency	Peak Gain
MHz	%	dBi
3300	71.65	6.24
3400	78.47	6.32
3500	74.07	6.56
3600	75.22	6.3
3700	72.95	6.22
3800	76.17	5.6
3900	75.97	5.59
4000	75.2	5.64
4100	76.73	6.27
4200	74.27	6.32
4300	76.28	6.01
4400	71.47	5.89
4500	72.78	6.09
4600	78.82	6.56
4700	79.54	6.54
4800	75.13	5.59
4900	73.55	5.68
5000	71.54	5.67

UNLESS OTHER SPECIFIED TOLERANCES ON :

X=NA X.X=NA X.XX=NA
 ANGLE=NA HOLE DIA.= NA



INPAQ TECHNOLOGY CO., LTD.

SCALE : NA UNIT : mm
 DRAWN BY : 彭少君 CHECKED BY: 洪賢修
 DESIGNED BY: 彭少君 APPROVED BY: 謝立庭

THIS DRAWINGS AND SPECIFICATIONS ARE THE PROPERTY OF INPAQ TECHNOLOGY CO.,LTD.AND SHALL NOT BE REPRODUCED OR USED AS THE BASIS FOR THE MANUFACTURE OR SALE OF APPARATUS OR DEVICES WITHOUT PERMISSION

TITLE : DAM-E8-N1-N0-000-04-02

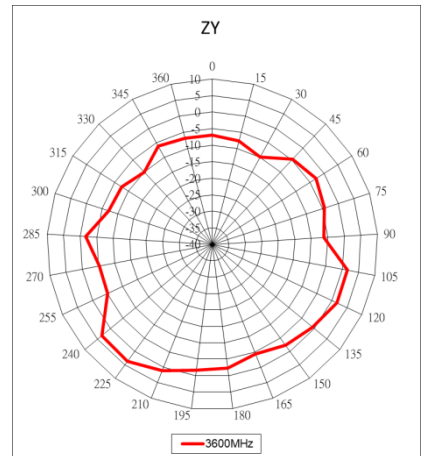
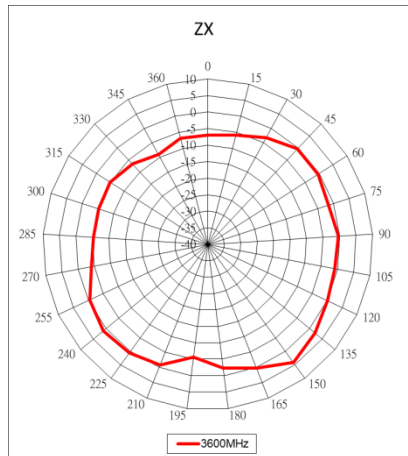
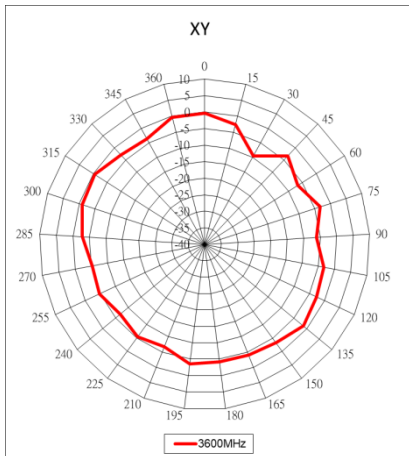
DOCUMENT NO.

ENS000155320

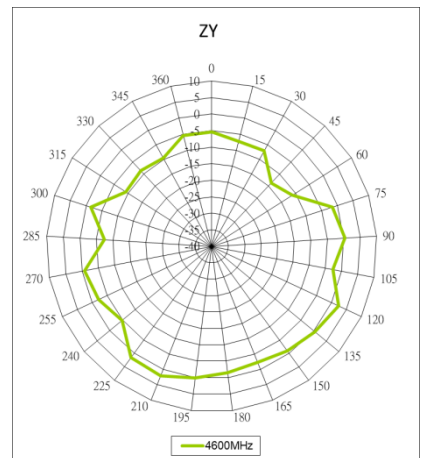
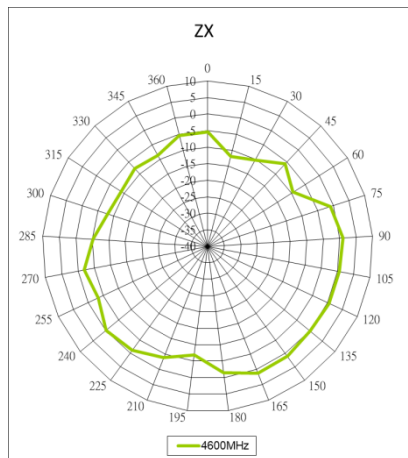
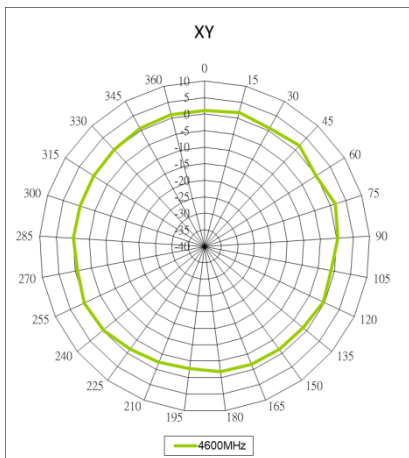
PAGE REV.
A1

2-2.4 2D Radiation Pattern

3600MHz



4600MHz



UNLESS OTHER SPECIFIED TOLERANCES ON :

X=NA X.X=NA X.XX=NA
 ANGLE=NA HOLE DIA.= NA

SCALE : NA

UNIT : mm

DRAWN BY : 彭少君

CHECKED BY: 洪賢修

DESIGNED BY: 彭少君

APPROVED BY: 謝立庭



INPAQ TECHNOLOGY CO., LTD.

THIS DRAWINGS AND SPECIFICATIONS ARE THE PROPERTY OF INPAQ TECHNOLOGY CO.,LTD.AND SHALL NOT BE REPRODUCED OR USED AS THE BASIS FOR THE MANUFACTURE OR SALE OF APPARATUS OR DEVICES WITHOUT PERMISSION

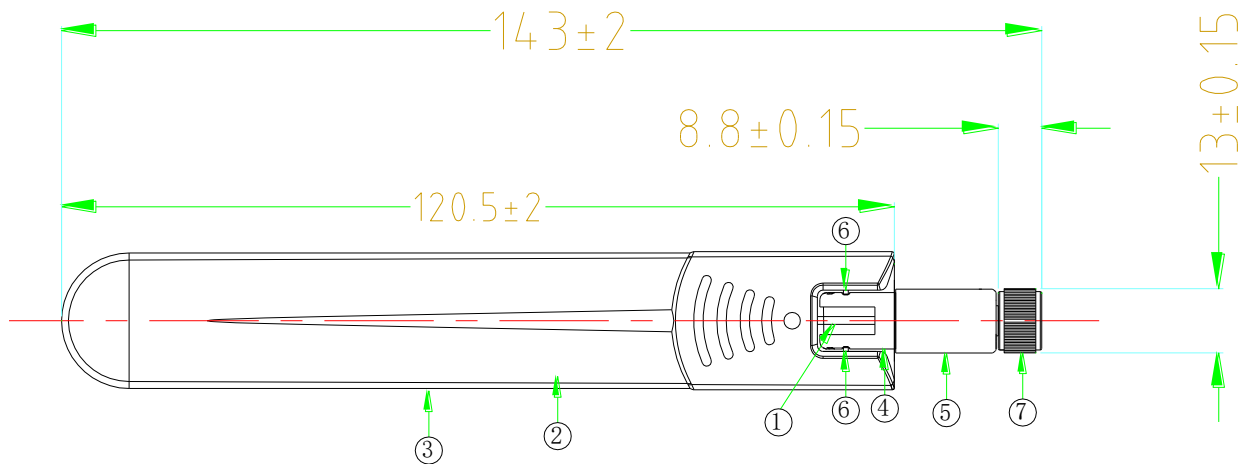
TITLE : DAM-E8-N1-N0-000-04-02

DOCUMENT NO.

ENS000155320

PAGE REV.
A1

3. Mechanical properties:



NO	部件名稱	規格描述	數量
1.	線材	RF 1.37 黑色	1
2.	PCB	103*16.2*0.4	1
3.	桿套	黑色	1
4.	上固	黑色	1
5.	下固	黑色	1
6.	鉚釘	黑色	2
7	連接器	公頭公針	1

UNLESS OTHER SPECIFIED TOLERANCES ON :

X=NA X.X=NA X.XX=NA
 ANGLE=NA HOLE DIA.= NA



INPAQ TECHNOLOGY CO., LTD.

SCALE : NA

UNIT : mm

DRAWN BY : 彭少君

CHECKED BY: 洪賢修

DESIGNED BY: 彭少君

APPROVED BY: 謝立庭

THIS DRAWINGS AND SPECIFICATIONS ARE THE PROPERTY OF INPAQ TECHNOLOGY CO.,LTD.AND SHALL NOT BE REPRODUCED OR USED AS THE BASIS FOR THE MANUFACTURE OR SALE OF APPARATUS OR DEVICES WITHOUT PERMISSION

TITLE : DAM-E8-N1-N0-000-04-02

DOCUMENT NO.

ENS000155320

PAGE REV.

A1