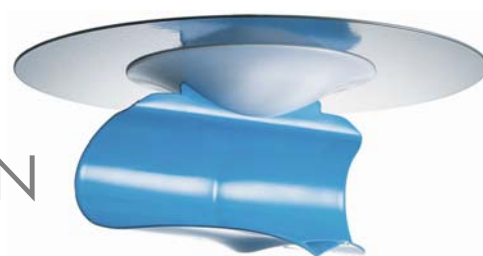




HUBER+SUHNER® SENCITY® ART ANTENNA FOR WIRELESS COMMUNICATION



SWA 0859/360/4/10/V

Technical Data

Electrical Properties

Frequency range (MHz)	806 - 960	1710 - 2170	2400 - 5875
Impedance	50 Ω		
VSWR	<1.5		
Polarization	linear, vertical		
Gain	5 dBi	6 dBi	7 dBi
3 dB beamwidth horizontal	360°		
Max. power	300 W (CW) at 50°C		

Mechanical Properties

Dimensions	Ø 200 x 100 mm (Ø 7.87" x 3.94")
Weight	0.3 kg (0.66 lbs.)
Material Antenna	brass (powder coated)
Material Groundplate	aluminium (powder-coated)
Operating temperature range	- 40°C to + 80°C
Storage temperature range	- 40°C to + 80°C
Windload	18 N at 160km/h (100mph)

Available Types

Article no.	Article no.	
1399.17.0037	23040329	N female (light blue PANTONE 277 C and grey RAL 7043)
1399.17.0055	84006023	N female (completely grey-white RAL 9018)
1399.26.0037	23040330	TNC female (light blue PANTONE 277 C and grey RAL 7043)

Mounting Hardware

Article no.	Article no.	
9091.99.0095	84001045	optional (see mounting instruction)

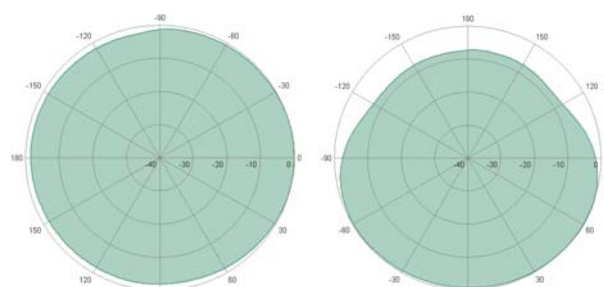
Documents

01.02.0777	security instruction
01.02.0969	mounting instruction

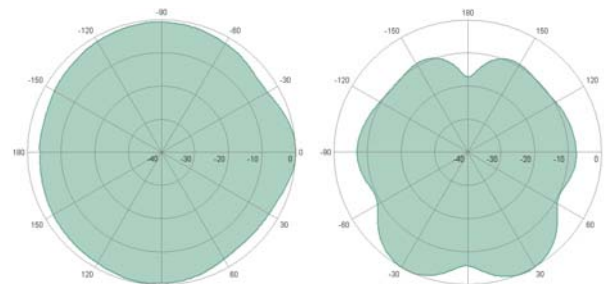
Radiation Pattern

horizontal

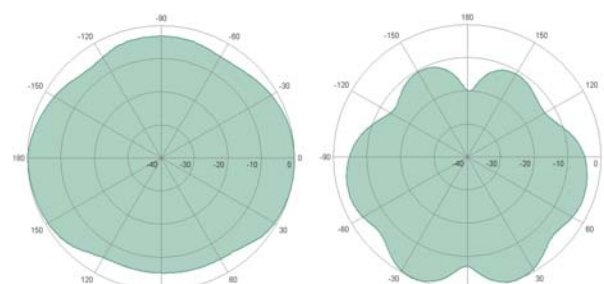
vertical



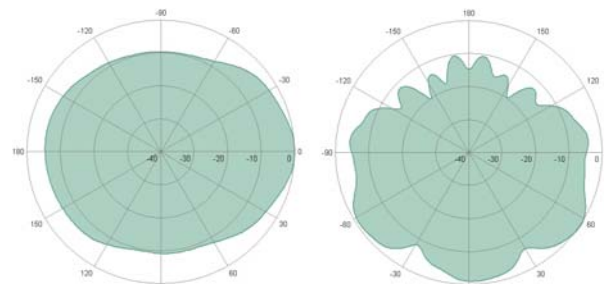
900 MHz



UMTS



2400 MHz



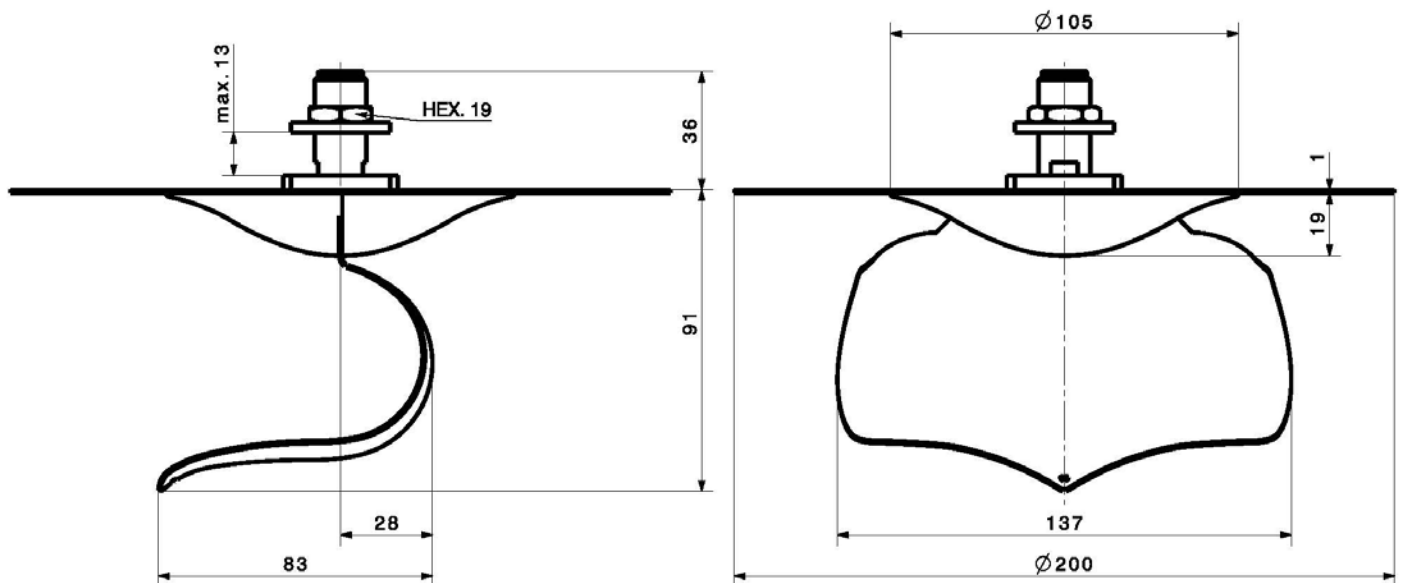
5600 MHz



HUBER+SUHNER[®] SENCITY[®] ART ANTENNA FOR WIRELESS COMMUNICATION

SWA 0859/360/4/10/V

Dimensions (mm)



HUBER+SUHNER is certified according to ISO 9001 and ISO 14001

WAIVER!

It is exclusively in written agreements that we provide our customers with warrants and representations as to the technical contained specifications and/or the fitness for any particular purpose. The facts and figures herein are carefully compiled to the best of our knowledge, but they are intended for general informational purposes only.

HUBER+SUHNER – Excellence in Connectivity Solutions

Document no.: 01.02.0949
Issue no.: 9
Supersedes: 10.2004

Uncontrolled Copy

Issued/Checked/Released: 4159/4253/04.2005
Last amended: 4159



HUBER+SUHNER AG

RF Technology

9100 Herisau, Switzerland

Phone +41 (0)71 353 41 11

Fax +41 (0)71 353 47 51

www.hubersuhner.com