

Providing converged wireless coverage solutions

As 802.11 WLAN coverage becomes standard in both manufacturing- and service-oriented enterprises, businesses are continuously striving to provide ubiquitous voice and data wireless coverage that is secure, scalable and cost-effective. Some of the main challenges associated with WLAN 802.11 coverage are:

- **Security** - unprotected AP's and high-cost antennas distributed throughout the designated coverage area;
- **Interference** - low coverage per AP requiring more AP's, and a limited number of channels that can be allocated to adjacent AP's;
- **Complex installation and maintenance** - active elements mounted in ceilings and other hard to reach areas;
- **Scalability and integration with voice services coverage;**

MA 850 provides an elegant, cost-effective 802.11a/b/g converged data and voice coverage solution that enables enterprises to provide high quality of service to clients, while maximizing and future-proofing their current investment.

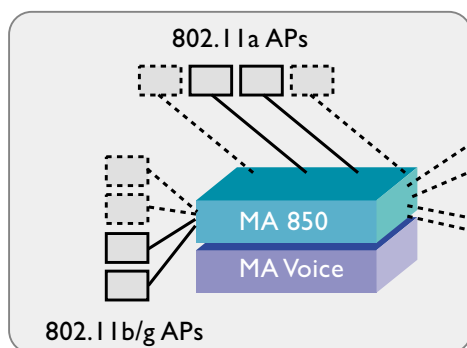


MobileAccess 850

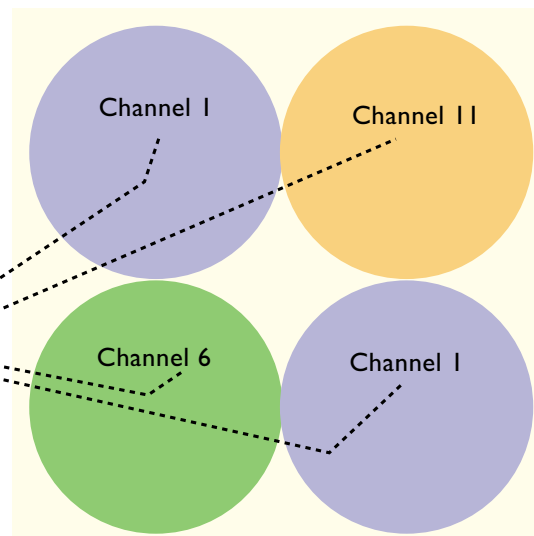
Features

- **Simultaneously supports:**
 - Up to 4 802.11b/g AP's
 - Up to 4 802.11a AP's
 - Voice services from MobileAccess 1000, ModuLite or Litenna RHUs
- **Increases coverage** - less AP's and channels to achieve target coverage
- **Site customizable 802.11b/g AP coverage** - user configurable through intuitive GUI
- **Remote SNMP monitoring** - through direct LAN connection
- **Secures equipment and simplifies installation, maintenance and upgrading:**
 - All active elements (AP's, LAN and power cabling), are securely located in the telecom shaft or closet safe from theft or vandalism
 - All data and voice services distributed via a common coax cabling and broadband antennas.
- **Scalable and future-safe** - more AP's can be connected as needed to the existing infrastructure to add coverage, capacity or support new radio transmission standards

MA 850 enables the optimization of the number of APs and channels according to capacity needs instead of coverage considerations.



Communication closet with active devices (dashes indicate additional APs that are added as needed)



Coverage Area with Passive broadband antennas

MA 850 Technical Specifications

802.11b/g RF Parameters

Bandwidth	2400 - 2485 MHz
Maximum output power (in every port)	20 dBm
Gain	-10 to +5 dB
Gain Flatness	±1.5dB

802.11a RF Parameters

Bandwidth	5125 - 5750 MHz
Insertion Loss (on every port)	5 dB
Gain Flatness	±1 dB

Mobile Services Parameters

Bandwidth	806 - 960 MHz, 1710 - 1990 MHz
Insertion Loss (on every port)	2.5 dB
Gain Flatness	±1.5 dB

Management

- Local configuration of switching matrix via Java based GUI
- Local AGC gain configuration
- Monitoring via MobileAccess 410/430 controller (using MA 1000 RHU)

Power

Power Supply	20 to 48 VDC ; I to 0.42 A
Consumption	20W

Physical Specification

Dimensions	242 mm x 279 mm x 38 mm (9.54 in x 10.98 in x 1.5 in)
Weight	2.82 kg (6.2 lb)

Environmental Specifications

Operating Temperature	0°C to +50°C (32°F to 122°F)
Storage Temperature	-20°C to 85°C (-4°F to 185°F)

Mechanical Specifications

- Modular design
- Metal body
- Designed for wall mounting or on top of a MobileAccess RHU case
- Optional metal mounting plate for installing on the side of a ModuLite Cabinet

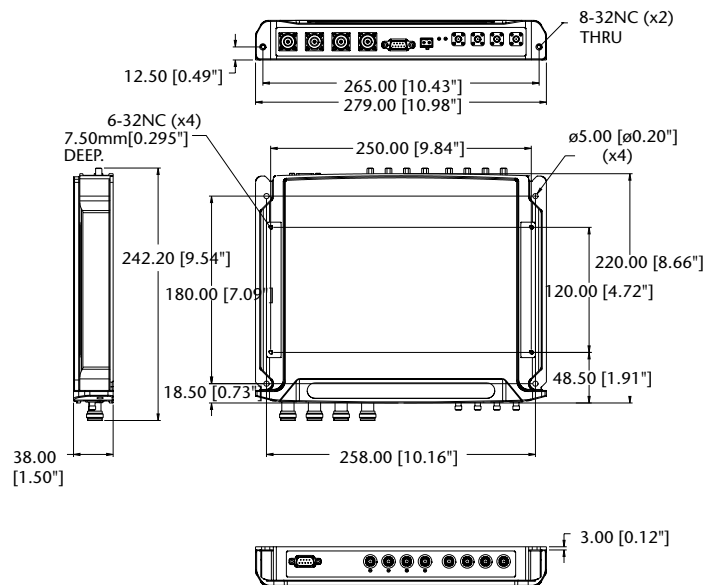
RF Connections

Four 802.11b/g APs	SMA Female, 50 ohm
Four 802.11a APs	SMA Female, 50 ohm
Voice Services	SMA Female, 50 ohm
Four Antenna Ports	N-type Female, 50 ohm

Standards and Approvals

USA FCC-47 CFR parts 2,15,22,24,90

Mechanical Measurements



Ordering Information

850 WLAN module supporting 802.11a/b/g

AK-850-1000	Accessory kit for 850 with 1000
AK-850-1200	Accessory kit for 850 with 1200
AK-850-MDLT	Accessory kit for 850 with ModuLite
AK-850-2000	Accessory kit for 850 with 2000
AK-850-SA	Accessory kit for 850 stand alone

MobileAccess Networks

Headquarters: (866) 436-9266

8391 Old Courthouse Rd., #300, Vienna, VA 22182

www.mobileaccess.com