



Engineering Data Sheet

Part #: AIR-ANT1728 (Ceiling Mount)

Part #: AIR-ANT3213 (Mast Mount)

5 dBi, Diversity Omni-directional

Specifications:

Frequency Range2.5 GHz

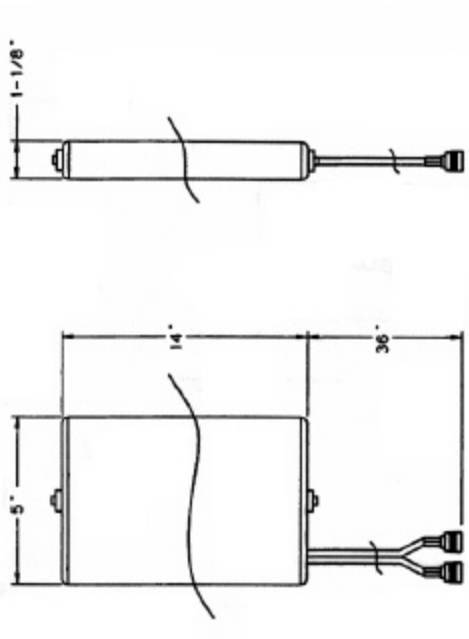
VSWR<2:1

Nominal Impedance50 ohms

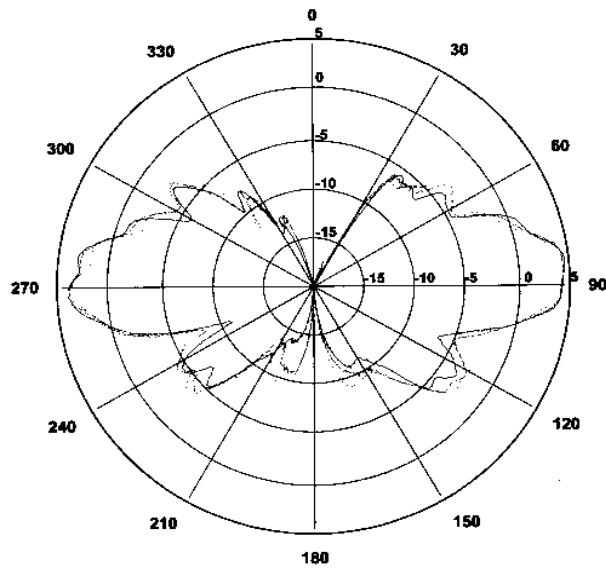
Gain5 dBi Nominal

Coax.....6" Dual 50 Ohm Low LossRG58

Coax TerminationTNC Reverse Polarity Plug



Elevation Pattern



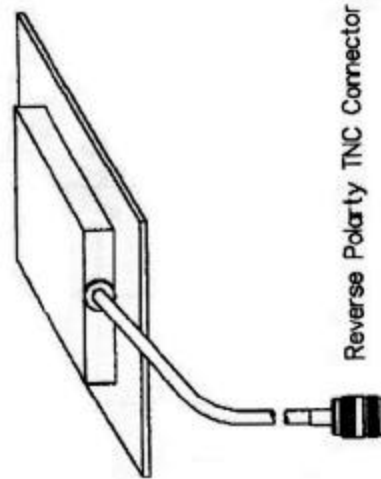


Engineering Data Sheet

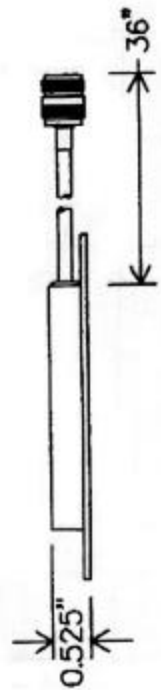
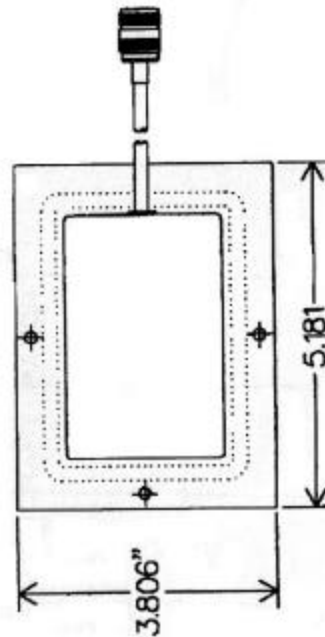
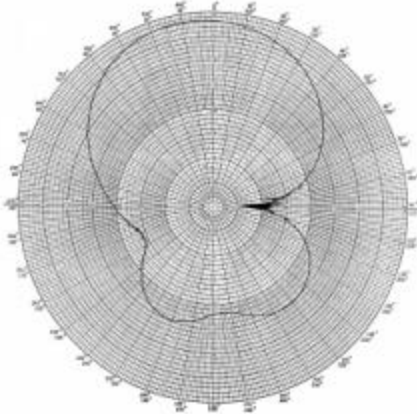
Part #: AIR-ANT1729 **6 dBi, Patch Antenna**

Specifications:

Frequency Range 2.4 - 2.5 GHz
VSWR 1.5:1
Gain 6 dBi
Front to back Ratio 18dB
Termination Rev. TNC and RG-58
Height 0.525"
Width 3.806"
Length 5.181"
Material ABS Plastic



E plane and H plane



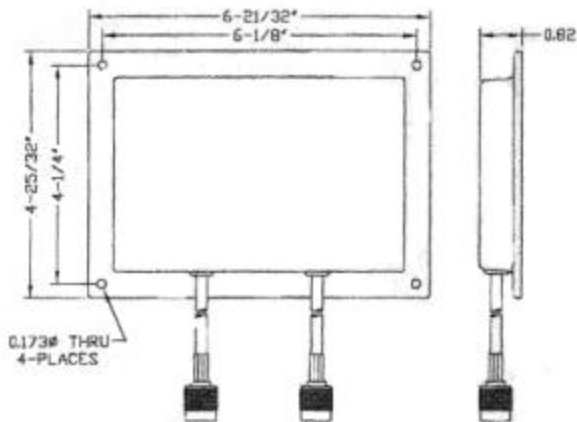
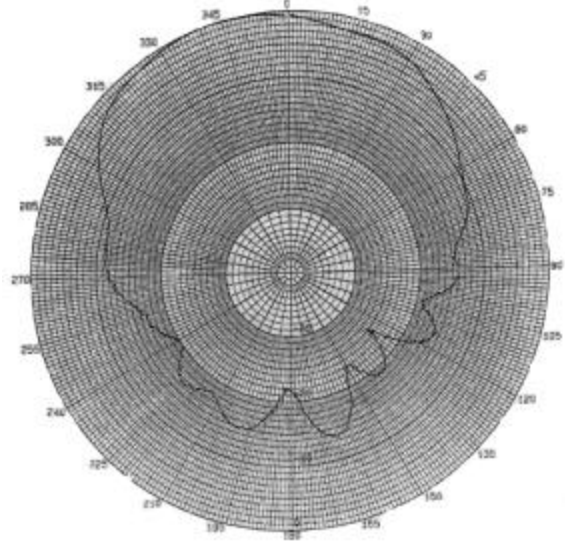


Engineering Data Sheet

Part #: AIR-ANT2012 2.4 GHz Spatial Diversity Directional Antenna

Specifications:

Frequency Range 2.4-2.5 GHz
VSWR 1.7:1
Nominal Impedance 50 ohms
Gain 6.5 dBi Nominal
Polarization Vertical Linear
Coax Dual Low Loss RG58
Coax Termination TNC Rev. Pol. Plug
Weight 9.6oz
Power 10 Watts
Length 6-21/32"



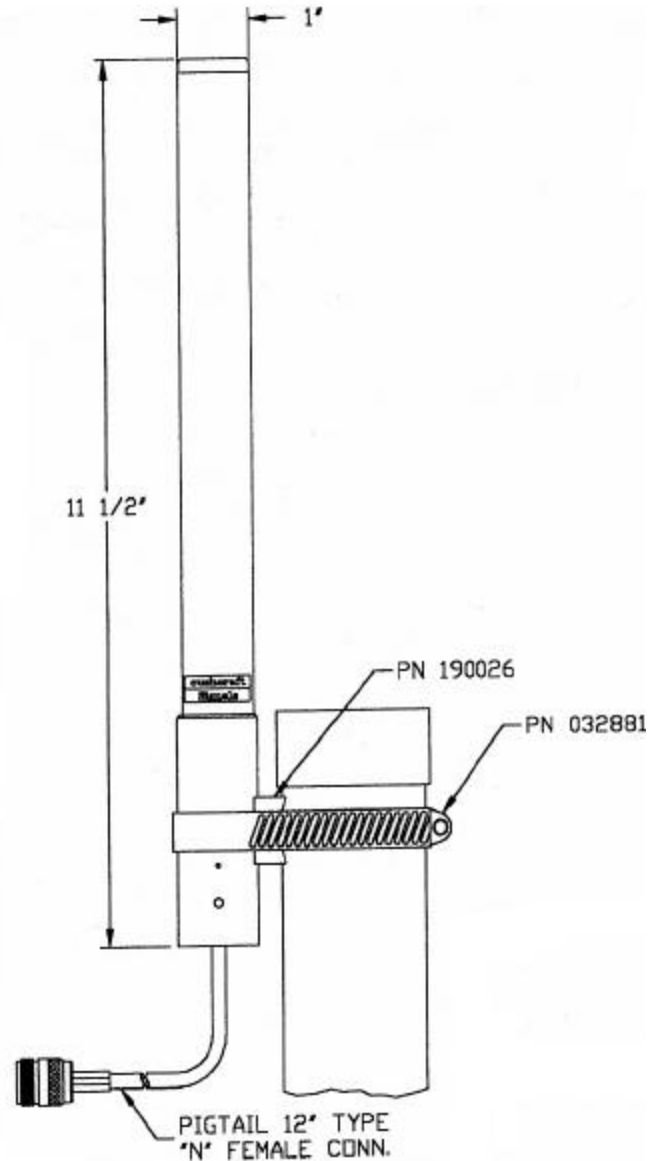
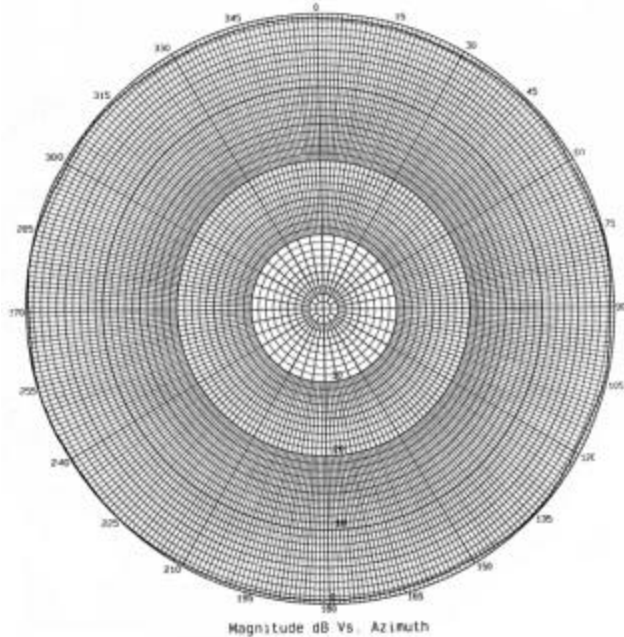


Engineering Data Sheet

Part #: AIR-ANT2506 3 dBd, Omni-directional Antenna

Specifications:

Frequency Range 2.4 – 2.5 GHz
VSWR 1.5:1
Nominal Impedance 50 ohms
Gain 3 dBd Nominal
E-Plane 3dB Beamwidth 38 Degrees
Max Power 50 Watts
Material Polycarbonate
Package Outdoor
Coax 36" RG58
Coax Termination TNC Rev. Pol. Plug



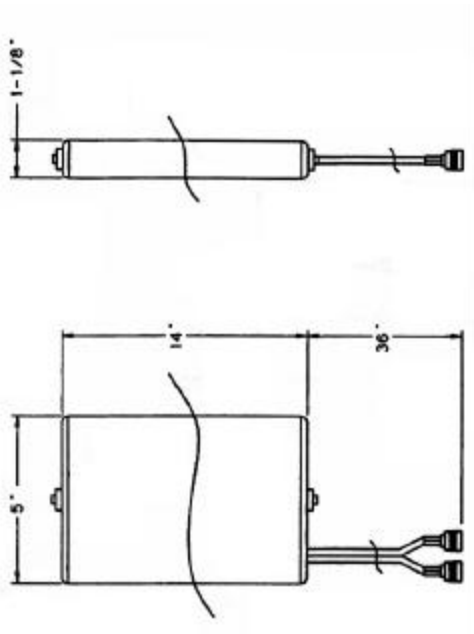


Engineering Data Sheet

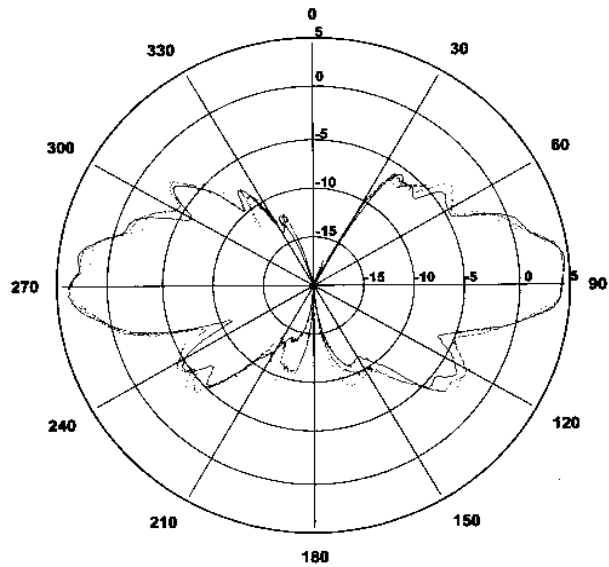
Part #: AIR-ANT3213 5 dBi, Diversity Omni-directional

Specifications:

Frequency Range2.5 GHz
VSWR<2:1
Nominal Impedance50 ohms
Gain5 dBi Nominal
Coax.....6" Dual 50 Ohm Low LossRG58
Coax TerminationTNC Reverse Polarity Plug



Elevation Pattern

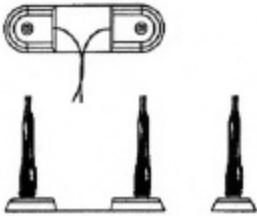




Engineering Data Sheet

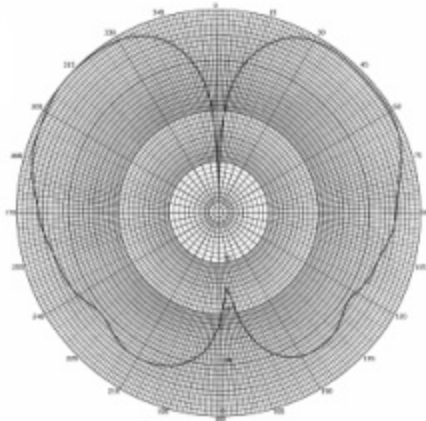
Part #: AIR-ANT3351 *Omni-directional Antenna Assembly, Positive Diversity*

Outline Drawing of Part::



Specifications:

Frequency Range 2.4-2.5 GHz
VSWR 1.5:1
Power..... 10-Watt Max
Gain 3.5 dBi
Elev. Plane 3 dB B.W. 45 Degrees (Peak at 53)
Polarization Vertical Linear
Termination..... Reverse TNC 36" of RG-58
Weight..... 4.8 oz



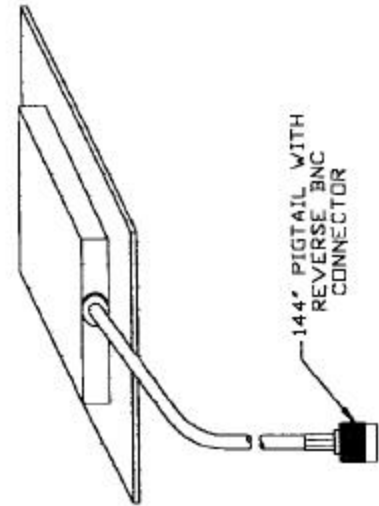


Engineering Data Sheet

Part #: AIR-ANT3549 8.5 dBi, Patch Antenna

Specifications:

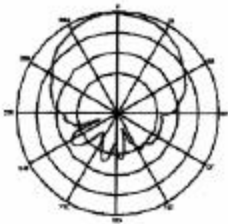
Frequency Range2.4 –2.5 GHz
VSWR1.5:1
Nominal Impedance50 ohms
Gain8.5 dBi Nominal
E-Plane 3dB Beamwidth.....55 Degrees
H-Plane 3dB Beamwidth.....60 Degrees
PolarizationLinear
Coax.36" RG-58
Coax TerminationTNC Rev. Pol.
Environment.....Indoors/Outdoors



Typical Antenna Patterns

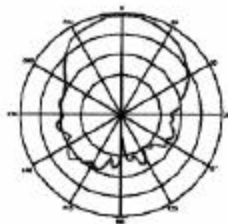
Azimuth Plane

(cut perpendicular to the antenna and perpendicular to the cable)

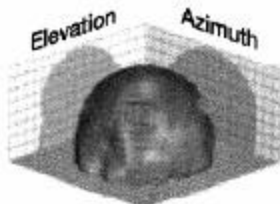


Elevation Plane

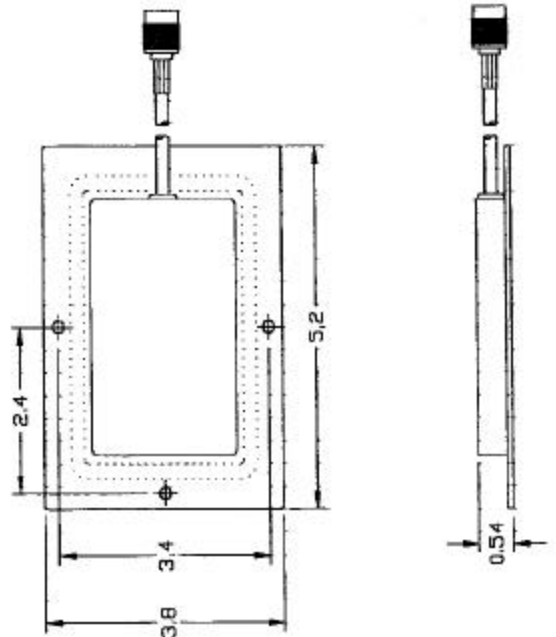
(cut perpendicular to the antenna along the cable axis)



Spherical Projection



As shown in these typical antenna patterns, the Whisper antenna offers excellent high-gain reception over a broad area.



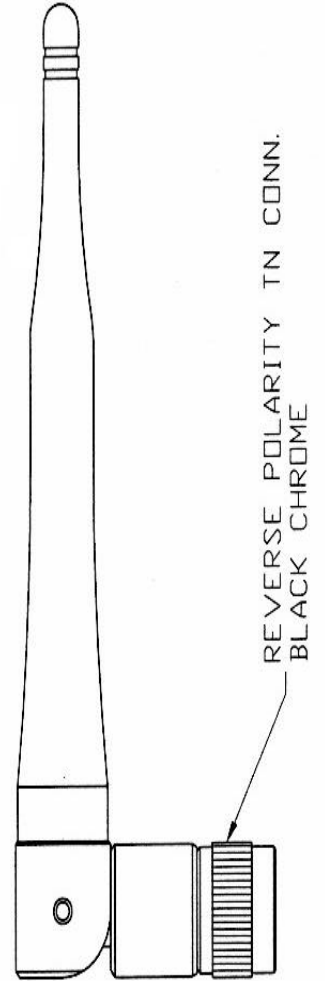
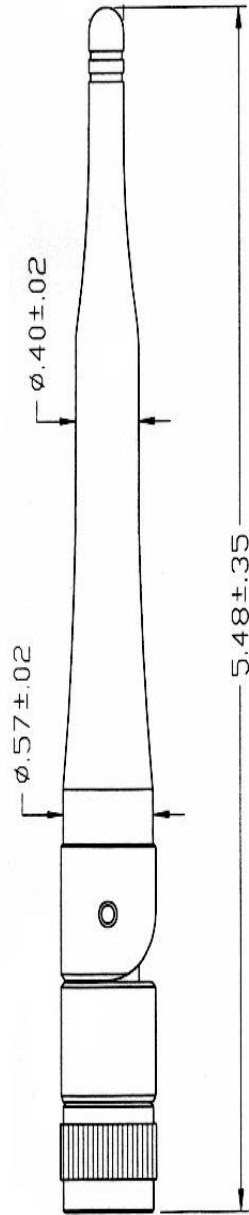
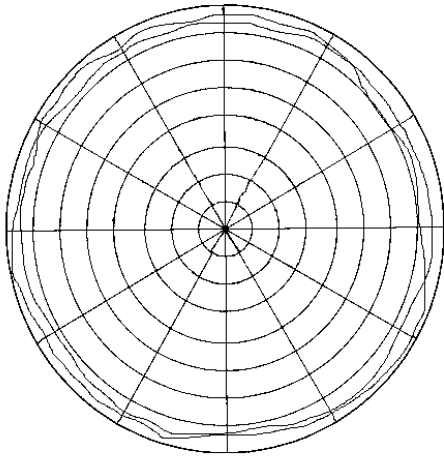


Engineering Data Sheet

Part #: AIR-ANT4941 **2.2 dBi, Low Profile** **Dipole Antenna**

Specifications:

Frequency Range2.45-2.4835 GHz
VSWR1.5:1
Nominal Impedance50 ohms
Gain2.2 dBi Nominal
PolarizationVertical
Termination.....TNC Rev. Pol. Plug



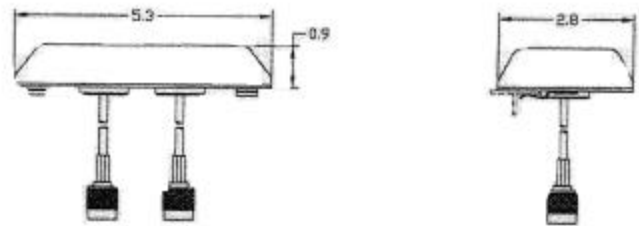


Engineering Data Sheet

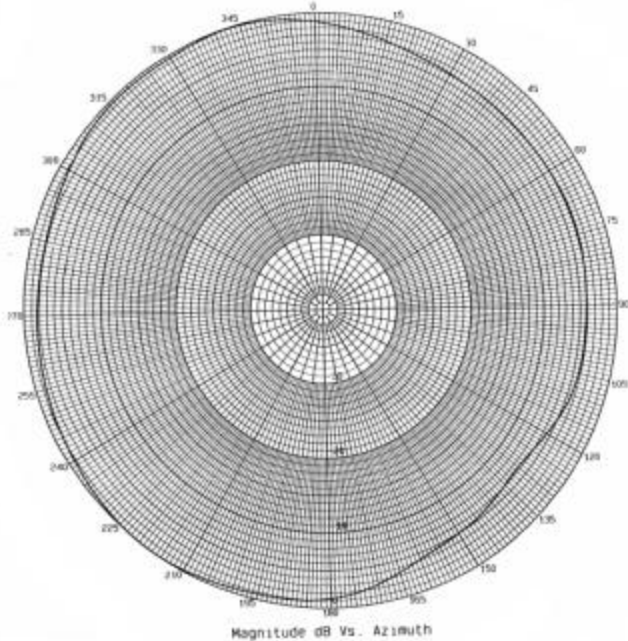
Part #: AIR-ANT5959 2.4 GHz, 2dBi Integrated Omnidirectional Diversity Antennas

Specifications:

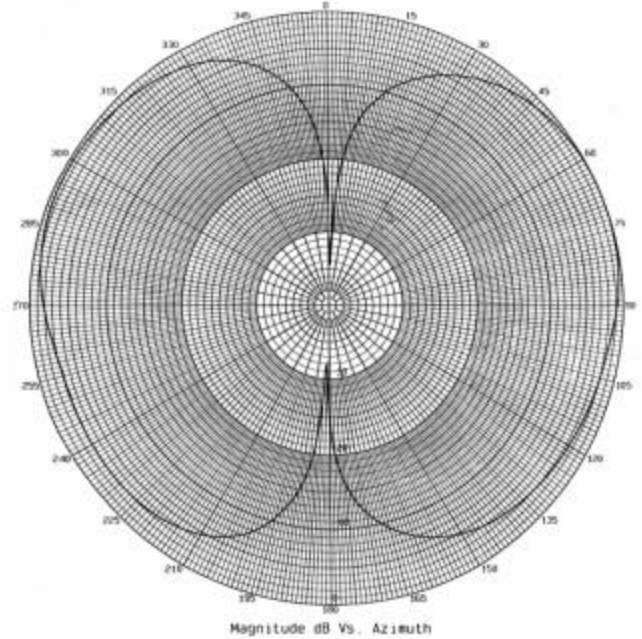
Frequency Range 2.4 - 2.5 GHz
VSWR 1.7:1
Power..... 5 Watts
Gain 2 dBi
Polarization Vertical Linear
Azimuth Plane Beamwidth..... Omni Directional
Elevation Plane 3dB BW..... 80 Degrees
Antenna Connector..... Reverse TNC (2X)



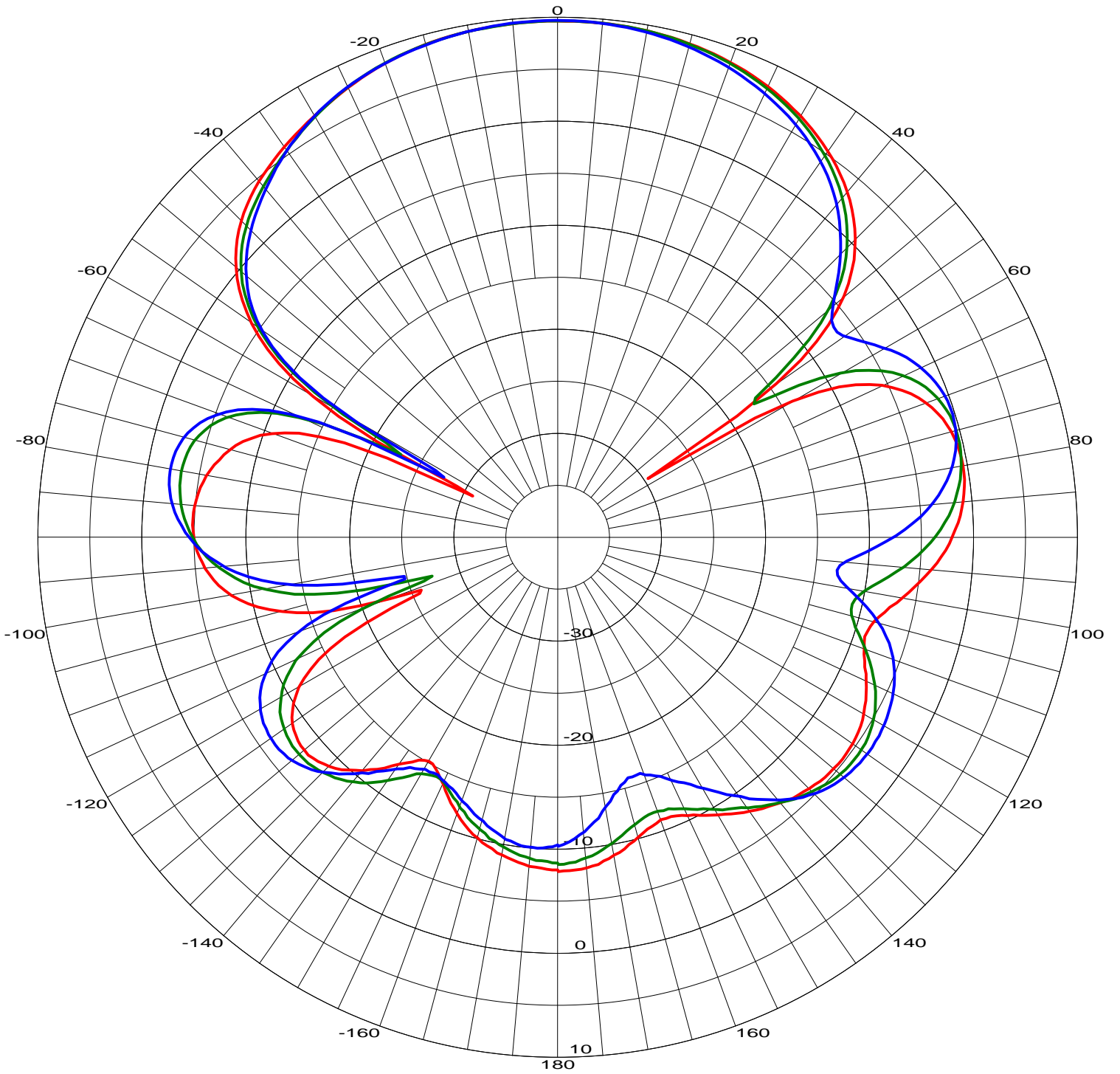
H-Plane



E-Plane



2409AB Yagi
AZIMUTH Pattern



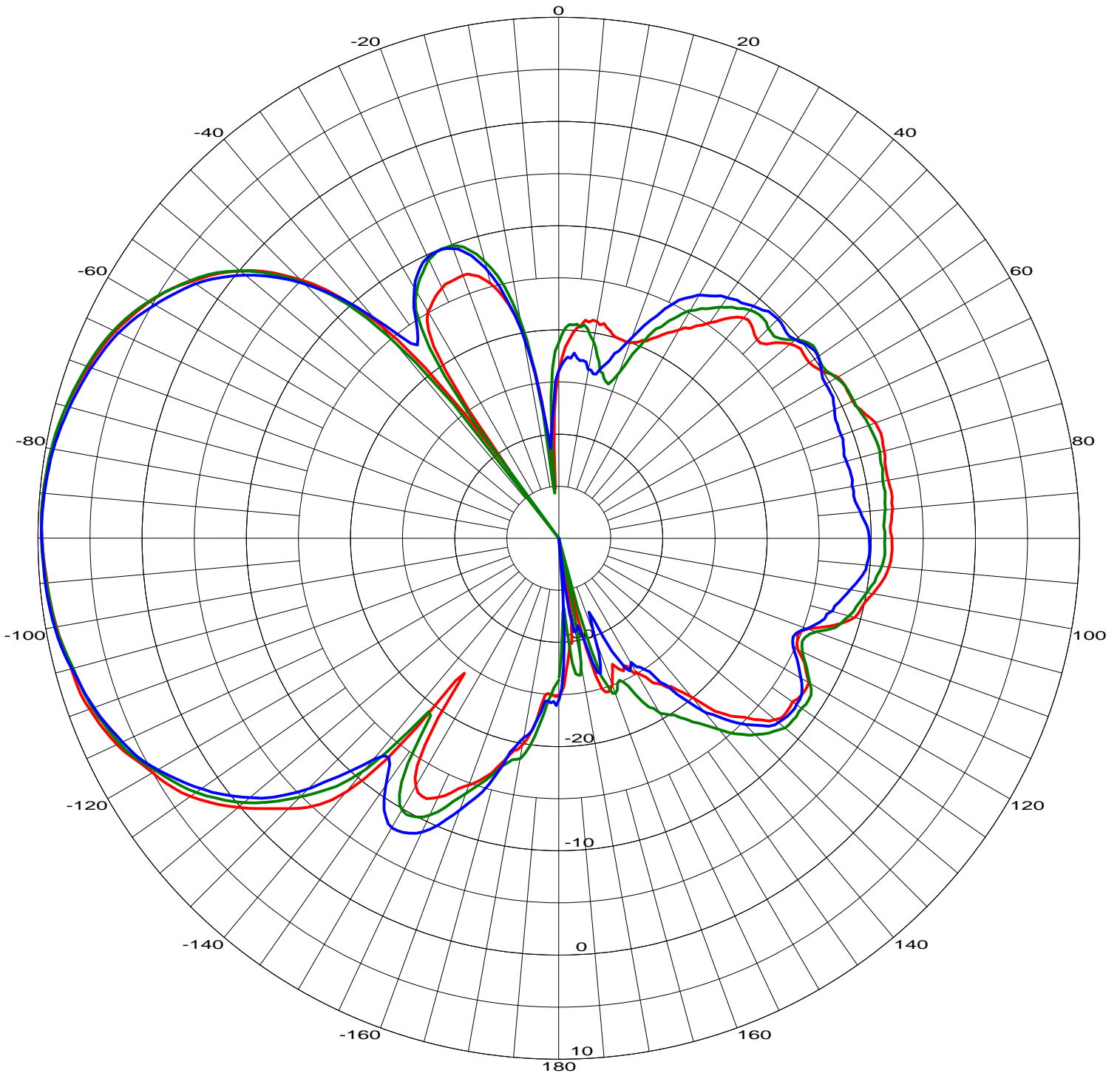
Frequency List

- Freq: 2.400 GHz —
- Freq: 2.441 GHz —
- Freq: 2.483 GHz —

Telex Communications, INC.
8601 E. Cornhusker Hwy
Lincoln, NE 68507

Phone: (402) 467-5321
Fax: (402) 467-3279

2409AB Yagi
ELEVATION Pattern



Frequency List

- Freq: 2.400 GHz —
- Freq: 2.441 GHz —
- Freq: 2.483 GHz —

Telex Communications, INC.
8601 E. Cornhusker Hwy
Lincoln, NE 68507

Phone: (402) 467-5321
Fax: (402) 467-3279