

## MA 1200 Add-on 700LTE-AO

### Operational Description

The 700LTE-AO belongs to MobileAccess 1200 Add-on range. This is a high power module, supporting a single frequency band (low or high). It is designed to be integrated with a host *RHU 1000 / 2000* modules. The RHU modules provide the following functionality for both units:

- Optical interface (to the BU) and conversion
- RF interface (to antennas) and conversion
- Control signals

---

**NOTE:** The units are integrated through simple external cable connections between corresponding ports.

---

### 1.1.1.1 MA 1200 Front Panel

The RHU 1200 front panel contains the power connection and status LEDs. (The RS-232 connector is reserved for MA service personnel).

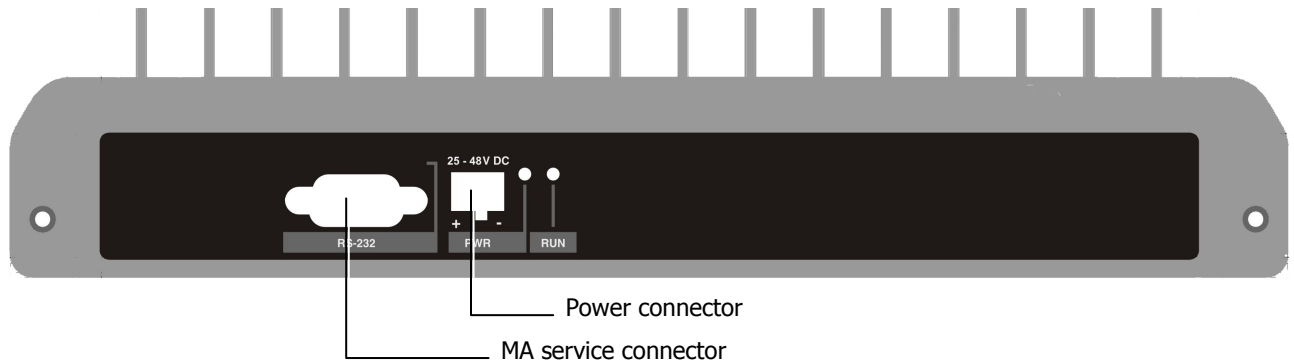


Figure 1. RHU 1200 Front panels

Table **Error! No text of specified style in document.**-1. MobileAccess 1200 Front Panel Indicators

LED	Description
RUN	When blinking, indicates that the RHU is in normal operating mode.
PWR	Power ON

### 1.1.1.2 MA 1200 Rear Panel

The RHU 1200 rear panel contains the connections to the RHU 1000 / 2000 and WLAN module MA 850/860.

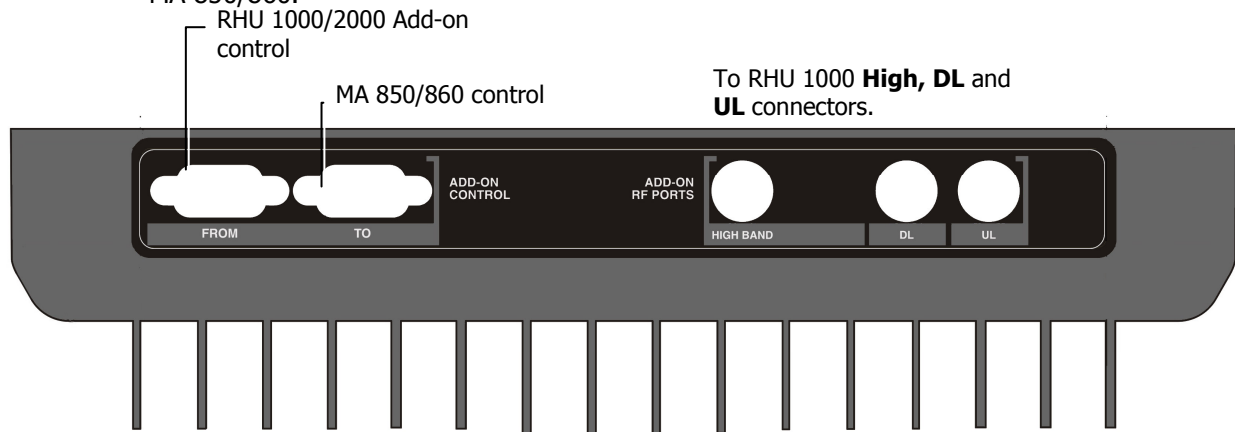


Figure 2. RHU 1200 Rear Panel

Table **Error! No text of specified style in document.**-2. RHU 1200 Rear Panel Connectors

Add-on Control	<p>Transmits the control signals between the MA 1200 module and the WLAN and RHU modules.</p> <p>From – receives control signals from the RHU 1000. Connected to the RHU Add-on Control connector.</p> <p>To – for configurations that include MA 850/860. Transmits control signals to MA 850/860. Connected to the MA 850/860 Add-on Control connector.</p>
DL, UL	<p>Transmit the RF signals to- and from- the MA 1200 add-on module. These ports are connected to the corresponding ports on the MA RHU rear panel: DL to DL, UL to UL.</p>
High	<p>RF service output port connected to the RHU rear-panel High port.</p>