

MA 1200-G-PCS-AO Operational Description

1200- G-PCS-AO

1200- G-PCS-AO-LT (for 2000 lite configuration)

1200- G-PCS-AO-CB (for 2000 cabinet configuration)

The MobileAccess 1200 Add-on module is a high power module, supporting a single frequency band (low or high). It is designed to be integrated with a host *RHU 1000 or 2000* module. The host module provides the following functionality for both units:

- Optical interface (to the BU) and conversion
- RF interface (to antennas) and conversion
- Control signals

NOTE: The units are integrated through simple external cable connections between corresponding ports.

MA 1200 Front Panel

The RHU 1200 front panel contains the power connection and status LEDs. (The RS-232 connector is reserved for MA service personnel).

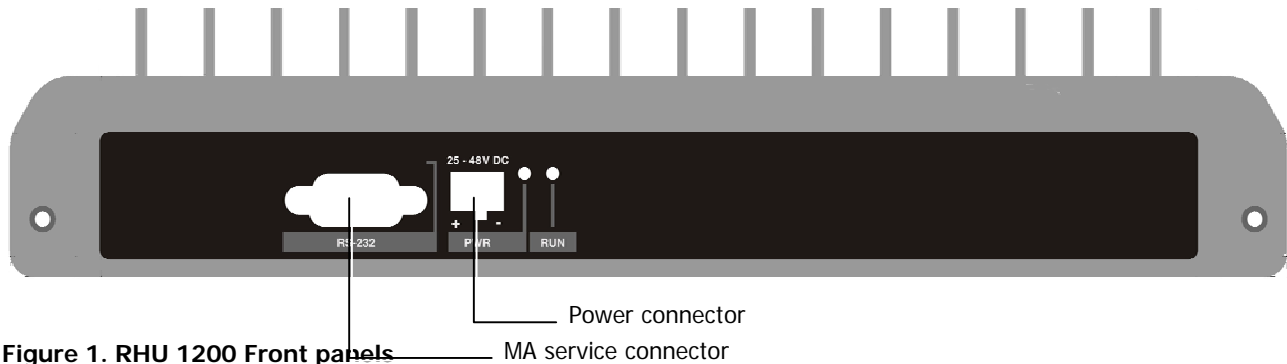


Figure 1. RHU 1200 Front panel

Table -1. MobileAccess 1200 Front Panel Indicators

LED	Description
RUN	When blinking, indicates that the RHU is in normal operating mode.
PWR	Power ON

MA 1200 Rear Panel

The RHU 1200 rear panel contains the connections to the RHU 1000 and MA 850/860.

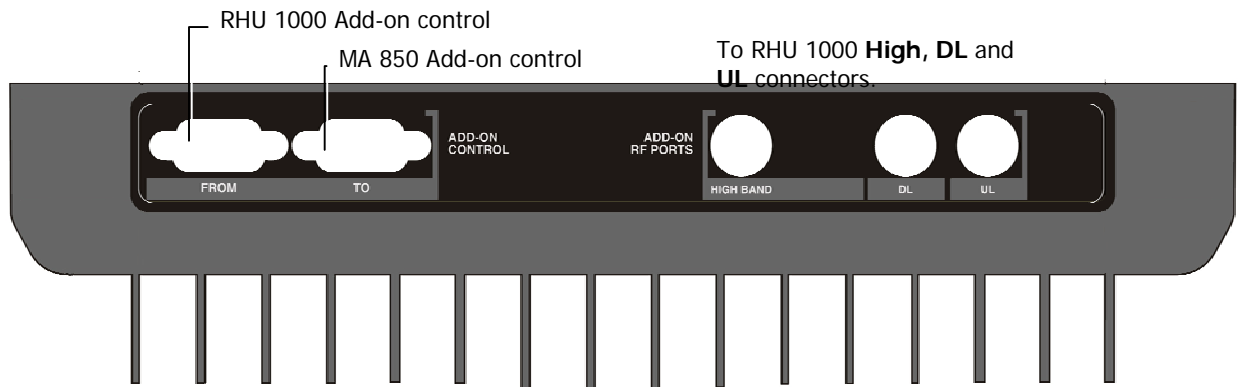


Figure 2. RHU 1200 Rear Panel

Table -2. RHU 1200 Rear Panel Connectors

Add-on Control	Transmits the control signals between the MA 1200 module and the MA 850 and RHU 1000 modules. From – receives control signals from the RHU 1000. Connected to the RHU 1000 Add-on Control connector. To – for configurations that include MA 850. Transmits control signals to MA 850. Connected to the MA 850 Add-on Control connector.
DL, UL	Transmit the RF signals to- and from- the MA 1200 add-on module. These ports are connected to the corresponding ports on the MA 1000 rear panel: DL to DL, UL to UL.
High	RF service output port connected to the RHU 1000 rear-panel High port.