



TRU-Omni S727

V-Pol Omni Antenna, 698-2700MHz, Surface Mount



- True Omni Patterns
- Highest Gain for Ceiling Mounted Antennas
- PIM Certified @ 2 x 20 Watts
- Surface Mount for Metallic Tile and Hard Surface Applications
- Includes Premium Pig Tail Jumper

Optional Mounting Bracket 919057

Mounting TRU-Omni S727 Antenna to hard surfaces



Electrical Specifications

Frequency Band, MHz	698-960	740-894	1710-2170	2500-2700
Horizontal Beam width	360	360	360	360
Gain, dBi	2.9	2.9	6.4	7.3
VSWR Maximum/Return Loss, dB	1.7/11.7	1.4/15.0	1.4/15.5	1.5/14.0
Polarization	Vertical			
Intermodulation (2x20w), IM3, dBc, Maximum	-150			
Impedance, ohms	50			
Maximum Power Per Connector, CW	40			



TRU-Omni S727

V-Pol Omni Antenna, 698-2700MHz, Surface Mount

Mechanical Specifications

Dimensions, Diameter/Depth	12.2/4.6 in (311/116 mm) Overall
Connector (Quantity) Type	(1) N-Female on 12" Pigtail, plenum rated
Connector Location	Top
Antenna Weight	1.22 lb (0.55 kg)
Radome Material	ABS
Mounting	Surface Mount on Metallic Ceiling Tile or Hard Surface
Application	Indoor
Operating Temperature	-40 °F to +140 °F (-40 °C to +60 °C)
Package Quantity	1

Order Information

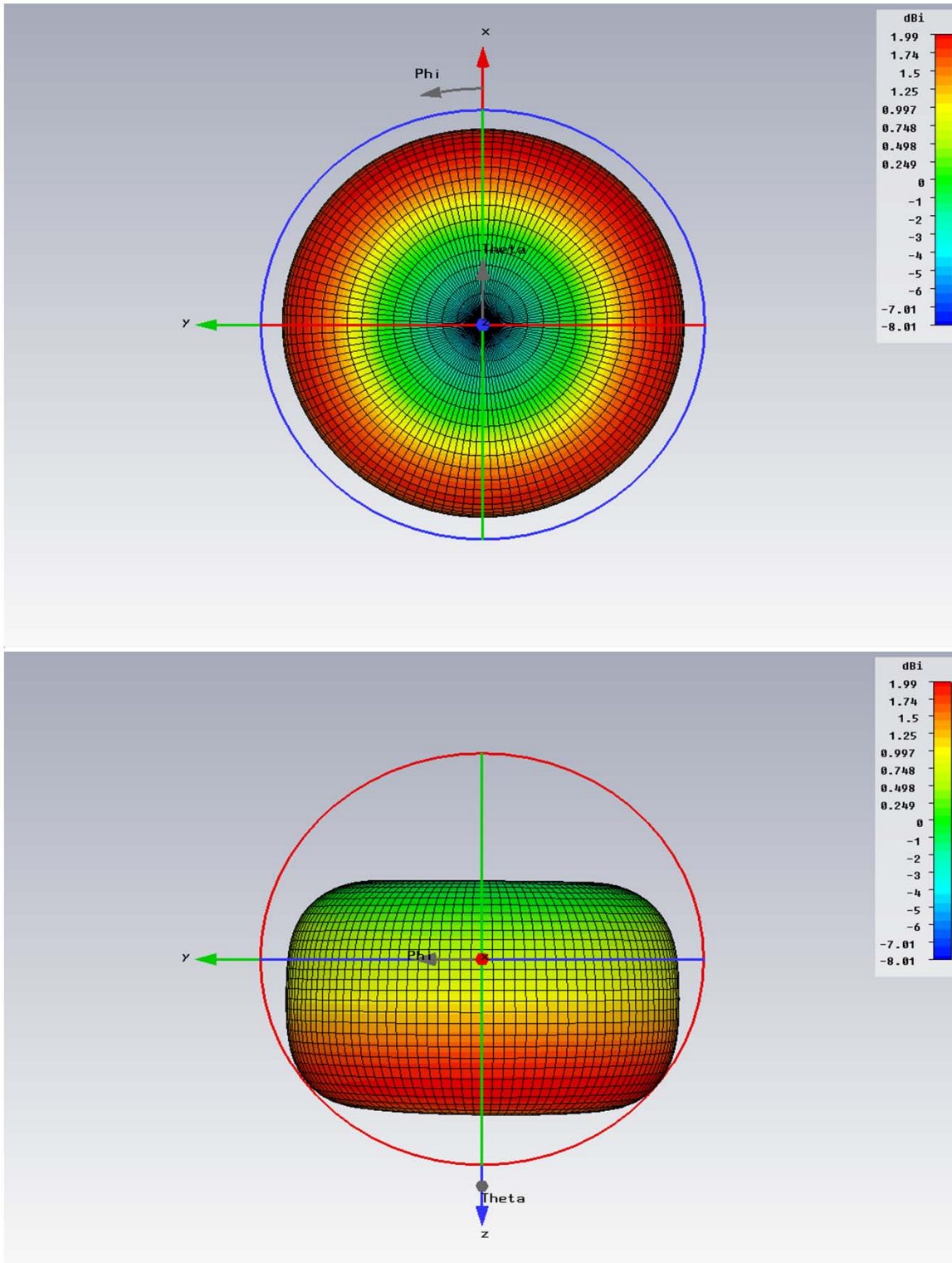
Model	Description
TRU-Omni S727	Surface Mount Omni Antenna, V-Pol, 698-2700MHz
919057	Optional Hard Surface Mount Bracket



TRU-Omni S727

V-Pol Omni Antenna, 698-2700MHz, Surface Mount

Patterns Measured @ 750MHz



www.cssantenna.com

410-612-0080

customerservice@cssantenna.com

All Specifications are subject to change.
Refer to www.cssantenna.com for the most current information

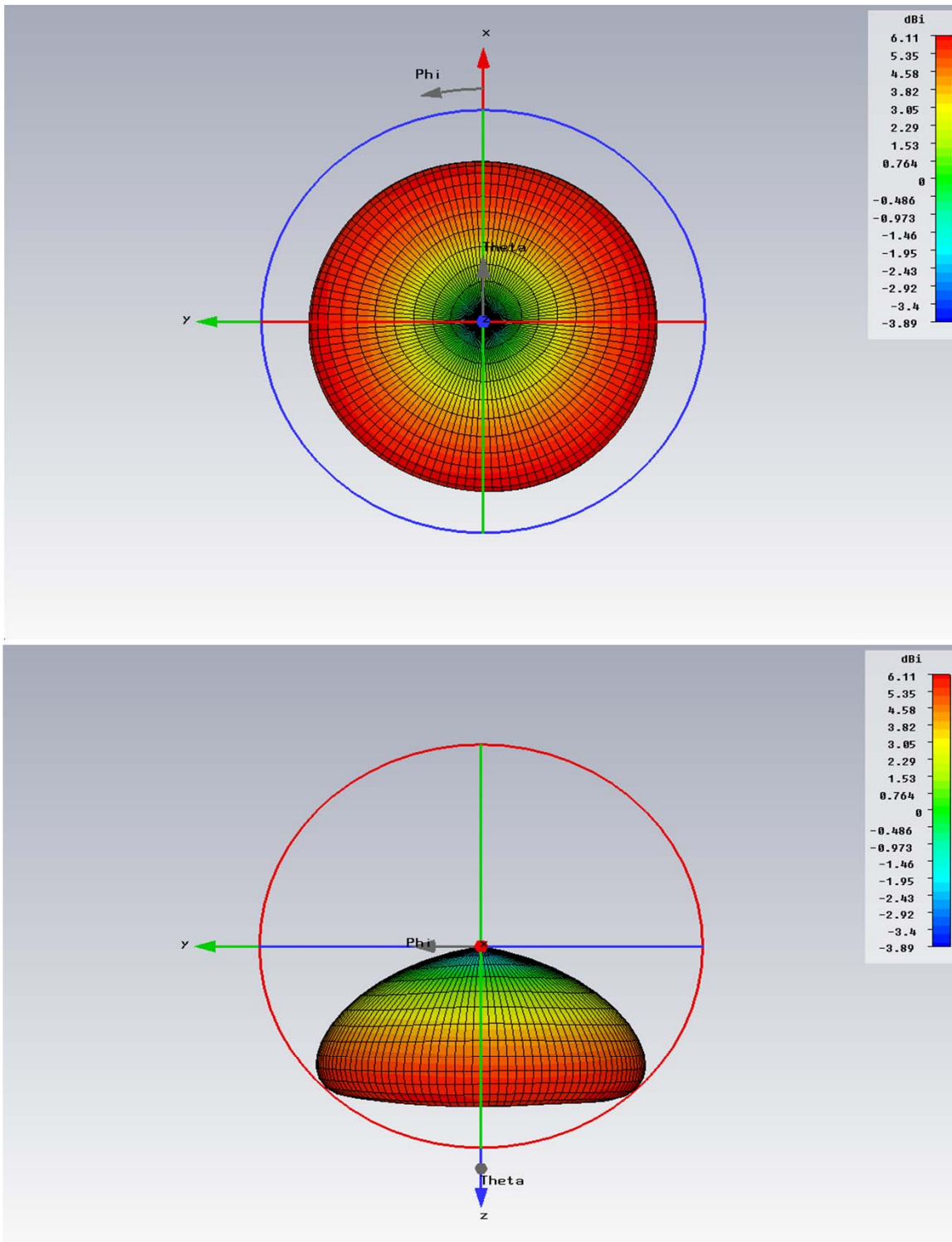
Page 3 of 6
2/16/2012



TRU-Omni S727

V-Pol Omni Antenna, 698-2700MHz, Surface Mount

Patterns Measured @ 2080MHz



www.cssantenna.com

410-612-0080

customerservice@cssantenna.com

All Specifications are subject to change.
Refer to www.cssantenna.com for the most current information

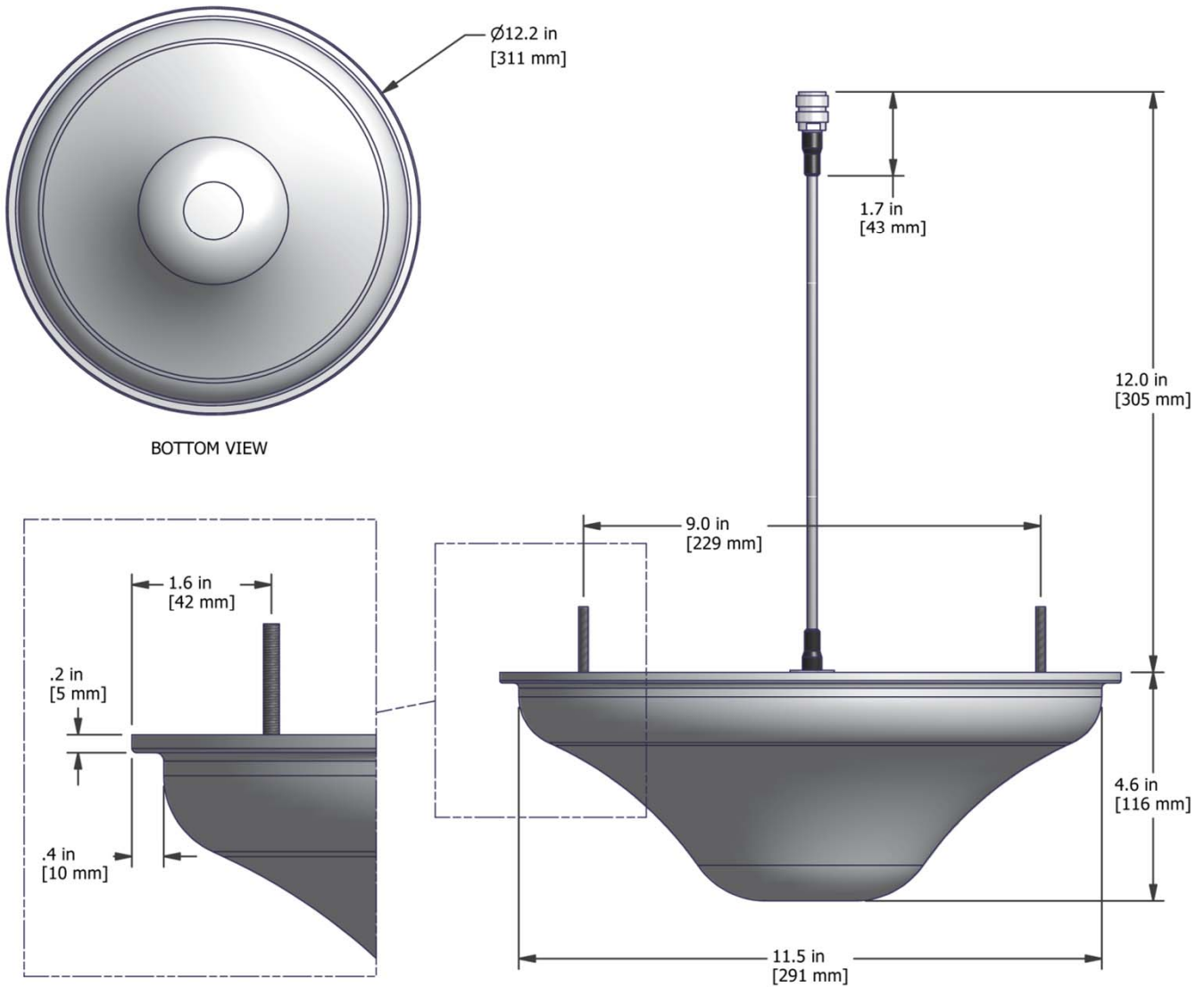
Page 4 of 6
2/16/2012



TRU-Omni S727

V-Pol Omni Antenna, 698-2700MHz, Surface Mount

Mechanical Outline Drawing



www.cssantenna.com

410-612-0080

customerservice@cssantenna.com

All Specifications are subject to change.
Refer to www.cssantenna.com for the most current information

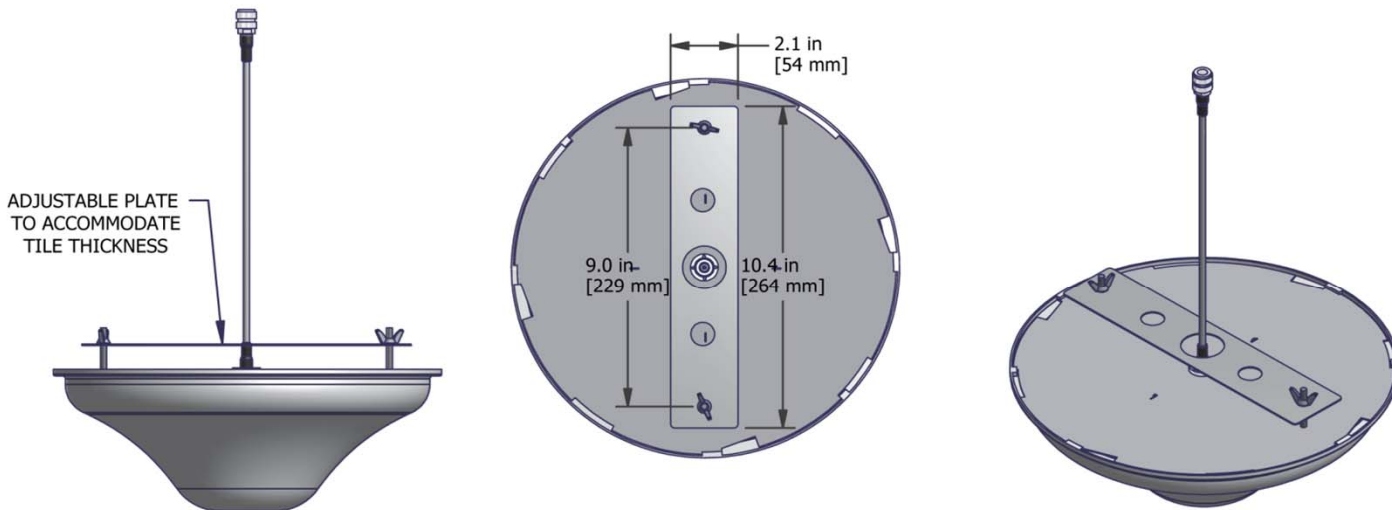
Page 5 of 6
2/16/2012



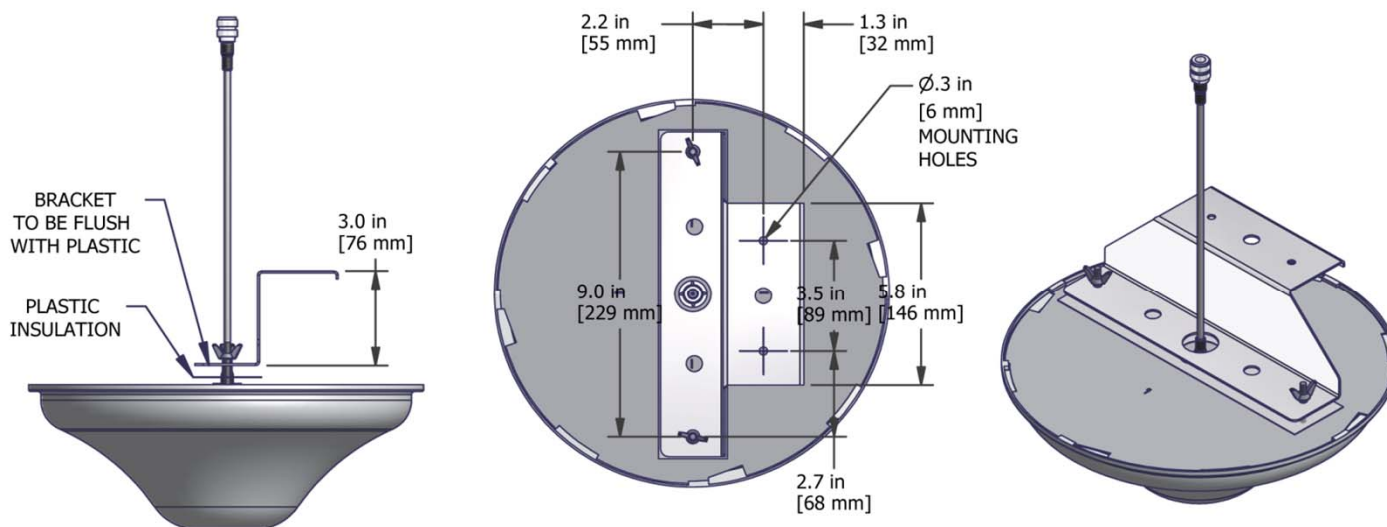
TRU-Omni S727

V-Pol Omni Antenna, 698-2700MHz, Surface Mount

Standard Bracket Kit



Optional Bracket Kit



www.cssantenna.com

410-612-0080

customerservice@cssantenna.com