



# PEAR™ M5542i

Small Form Factor MIMO  
In-Building Antenna

[MIMO 698-960, 1710-2700 MHz]



### DESCRIPTION:

Ceiling mount omni directional MIMO antenna for in-building applications such as DAS providing MIMO performance for the complete frequency range from 698-960 MHz and 1710-2700MHz.

Electrical Specifications	Port 1				Port 2			
	698-894	894-960	1710-2180	2180-2700	698-894	894-960	1710-2180	2180-2700
Frequency Band [MHz]	698-894	894-960	1710-2180	2180-2700	698-894	894-960	1710-2180	2180-2700
Input	2x N-Type (Female) with pigtail cable (12"/30cm length)							
Horizontal Beamwidth	Omni (360°)							
Impedance	50 Ω							
Inter-Port Isolation (typ.)	-20 dB		-25 dB	-30 dB	-20 dB		-25 dB	-30 dB
VSWR	<1.7:1	<1.8:1	<1.7:1	<1.5:1	<1.7:1	<1.8:1	<1.7:1	<1.5:1
Gain	1.5-3.5 dBi	2.0-3.5 dBi	3.5-6.0 dBi	5.0-6.0 dBi	2.0-3.0 dBi	2.5-3.5 dBi	3.5-5.0 dBi	4.0-5.5 dBi
Peak PIM @ 2 x 43 dBm	< -150 dBc							
Input Power	25 W at ambient temperature of 77° F (25° C)							

### Mechanical Specifications

Operating Temperature	-40° to 158°F (-40° to +70°C)
Environmental Conditions	Indoor
Antenna Weight	0.95 lbs (0.43 kg)
Dimensions (Diameter / Height)	8.19" / 2.83" (208mm / 72mm)
Flammability rating	UL 94-V0
RoHS	compliant
Radome Color	RAL 9010 (white)*
Radome Material	PC/ABS (halogen free)

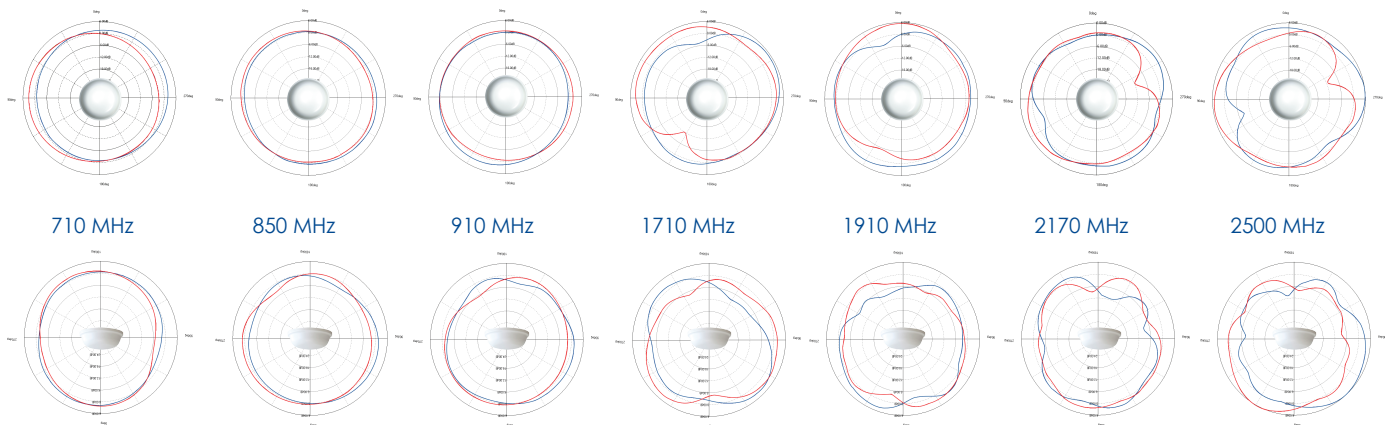
### ADDITIONAL INFORMATION:

Fasteners for below suspended ceiling mounting included, max. ceiling thickness 30mm. Radome can be painted in different colors.

\* Radome can be painted with recommended paint "Krylon Fusion for Plastic".

### RADIATION PATTERNS:

Port 1: — Port 2: —





# PEAR™ M5542i

Small Form Factor MIMO  
In-Building Antenna

[MIMO 698-960, 1710-2700 MHz]



### DESCRIPTION:

Ceiling mount omni directional MIMO antenna for in-building applications such as DAS providing MIMO performance for the complete frequency range from 698-960 MHz and 1710-2700MHz.

Electrical Specifications	Port 1				Port 2			
Frequency Band [MHz]	698-894	894-960	1710-2180	2180-2700	698-894	894-960	1710-2180	2180-2700
Input	2x N-Type (Female) with pigtail cable (12"/30cm length)							
Horizontal Beamwidth	Omni (360°)							
Impedance	50 Ω							
Inter-Port Isolation (typ.)	-20 dB		-25 dB		-30 dB		-20 dB	
VSWR	<1.7:1	<1.8:1	<1.7:1	<1.5:1	<1.7:1	<1.8:1	<1.7:1	<1.5:1
Gain	1.5-3.5 dBi	2.0-3.5 dBi	3.5-6.0 dBi	5.0-6.0 dBi	2.0-3.0 dBi	2.5-3.5 dBi	3.5-5.0 dBi	4.0-5.5 dBi
Input Power	25 W at ambient temperature of 77° F (25° C)							

### Mechanical Specifications

Operating Temperature	-40° to 158°F (-40° to +70°C)
Environmental Conditions	Indoor
Antenna Weight	0.95 lbs (0.43 kg)
Dimensions (Diameter / Height)	8.19" / 2.83" (208mm / 72mm)
Flammability rating	UL 94-V0
RoHS	compliant
Radome Color	RAL 9010 (white)*
Radome Material	PC/ABS (halogen free)

### ADDITIONAL INFORMATION:

Fasteners for below suspended ceiling mounting included, max. ceiling thickness 30mm. Radome can be painted in different colors.

\* Radome can be painted with recommended paint "Krylon Fusion for Plastic".

### RADIATION PATTERNS:

Port 1: — Port 2: —

