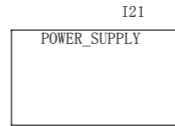


REVISIONS				
ZONE	LTR	DESCRIPTION	DATE	APPR.

850_CS	850_CS	DAC_CLKP	DAC_CLKP
850_SCK	850_SCK	DAC_CLKN	DAC_CLKN
850_SDI	850_SDI	FPGA_CLKP	FPGA_CLKP
850_SDO	850_SDI	FPGA_CLKN	FPGA_CLKN
1588_1PPSP	1588_1PPSP	GTP_CLKP	GTP_CLKP
1588_1PPSN	1588_1PPSN	GTP_CLKN	GTP_CLKN
SYNCEP	SYNCEP	SYNREF_P	SYNREF_P
SYNCEN	SYNCEN	SYNREF_N	SYNREF_N
SYNCEP_OUT	SYNCEP_OUT	SYNREF_P	SYNREF_P
SYNCEN_OUT	SYNCEN_OUT	SYNREF_N	SYNREF_N
SYNREF_CLK	SYNREF_CLK	SYNREF_P	SYNREF_P
GPIO_0	GPIO_0	SYNREF_N	SYNREF_N
GPIO_1	GPIO_1	ADC_CLKN	ADC_CLKN
GPIO_2	GPIO_2	ADC_CLKP	ADC_CLKP
GPIO_3	GPIO_3	ADC_CLKN	ADC_CLKN
		FPGA2_CLKP	FPGA2_CLKP
		FPGA2_CLKN	FPGA2_CLKN

SW1	SW1	ADC1	ADC1
SW2	SW2	ADC2	ADC2
SW3	SW3	ADC3	ADC3
SW4	SW4	ADC4	ADC4
SW5	SW5	ADC5	ADC5
SW6	SW6	ADC6	ADC6
SW7	SW7	ADC7	ADC7
SW8	SW8	ADC8	ADC8
SW9	SW9	DAC1	DAC1
SW10	SW10	DAC2	DAC2
SW11	SW11	DAC3	DAC3
SW12	SW12	DAC4	DAC4
SW13	SW13	DAC5	DAC5
SW14	SW14	DAC6	DAC6
SW15	SW15	DAC7	DAC7
SW16	SW16	DAC8	DAC8
SW17	SW17	FB1	FB1
SW18	SW18	FB2	FB2
SW19	SW19	FB2	FB2
SW20	SW20	RX1_EN	RX1_EN
TX1_EN	TX1_EN	RX2_EN	RX2_EN
TX2_EN	TX2_EN	RX3_EN	RX3_EN
TX3_EN	TX3_EN	RX4_EN	RX4_EN
TX4_EN	TX4_EN	RX5_EN	RX5_EN
TX5_EN	TX5_EN	RX6_EN	RX6_EN
TX6_EN	TX6_EN	RX7_EN	RX7_EN
TX7_EN	TX7_EN	RX8_EN	RX8_EN
TX8_EN	TX8_EN	PWR_DET1	PWR_DET1
		PWR_DET2	PWR_DET2
		PWR_DET3	PWR_DET3
		PWR_DET4	PWR_DET4
		PWR_DET5	PWR_DET5
		PWR_DET6	PWR_DET6
		PWR_DET7	PWR_DET7
		PWR_DET8	PWR_DET8

DAC_CLKP	DAC_CLKP	850_SDO	850_SDO
DAC_CLKN	DAC_CLKN	850_CS	850_CS
FPGA_CLKP	FPGA_CLKP	850_SCK	850_SCK
FPGA_CLKN	FPGA_CLKN	850_SDI	850_SDI
GTP_CLKP	GTP_CLKP	GPIO_0	GPIO_0
GTP_CLKN	GTP_CLKN	GPIO_1	GPIO_1
SYNREF_P	SYNREF_P	GPIO_2	GPIO_2
SYNREF_N	SYNREF_N	GPIO_3	GPIO_3
ADC_CLKP	ADC_CLKP	1588_1PPSP	1588_1PPSP
ADC_CLKN	ADC_CLKN	1588_1PPSN	1588_1PPSN
FPGA2_CLKP	FPGA2_CLKP	SYNCEP	SYNCEP
FPGA2_CLKN	FPGA2_CLKN	SYNCEN	SYNCEN
SYNCEP_OUT	SYNCEP_OUT	SYNREF_CLK	SYNREF_CLK
SYNCEN_OUT	SYNCEN_OUT	DAC1	DAC1
		DAC2	DAC2
		DAC3	DAC3
		DAC4	DAC4
		DAC5	DAC5
		DAC6	DAC6
		DAC7	DAC7
		DAC8	DAC8
		TX1_EN	TX1_EN
		TX2_EN	TX2_EN
		TX3_EN	TX3_EN
		TX4_EN	TX4_EN
		TX5_EN	TX5_EN
		TX6_EN	TX6_EN
		TX7_EN	TX7_EN
		TX8_EN	TX8_EN
		SW1	SW1
		SW2	SW2
		SW3	SW3
		SW4	SW4
		SW5	SW5
		SW6	SW6
		SW7	SW7
		SW8	SW8
		SW9	SW9
		SW10	SW10
		SW11	SW11
		SW12	SW12
		SW13	SW13
		SW14	SW14
		SW15	SW15
		SW16	SW16
		SW17	SW17
		SW18	SW18
		SW19	SW19
		SW20	SW20
		PWR_DET1	PWR_DET1
		PWR_DET2	PWR_DET2
		PWR_DET3	PWR_DET3
		PWR_DET4	PWR_DET4
		PWR_DET5	PWR_DET5
		PWR_DET6	PWR_DET6
		PWR_DET7	PWR_DET7
		PWR_DET8	PWR_DET8



- 1 MK1
- 1 MK2
- 1 MK3
- 1 MK4
- 1 MK5
- 1 MK6

CADENCE DESIGN SYSTEMS, INC.

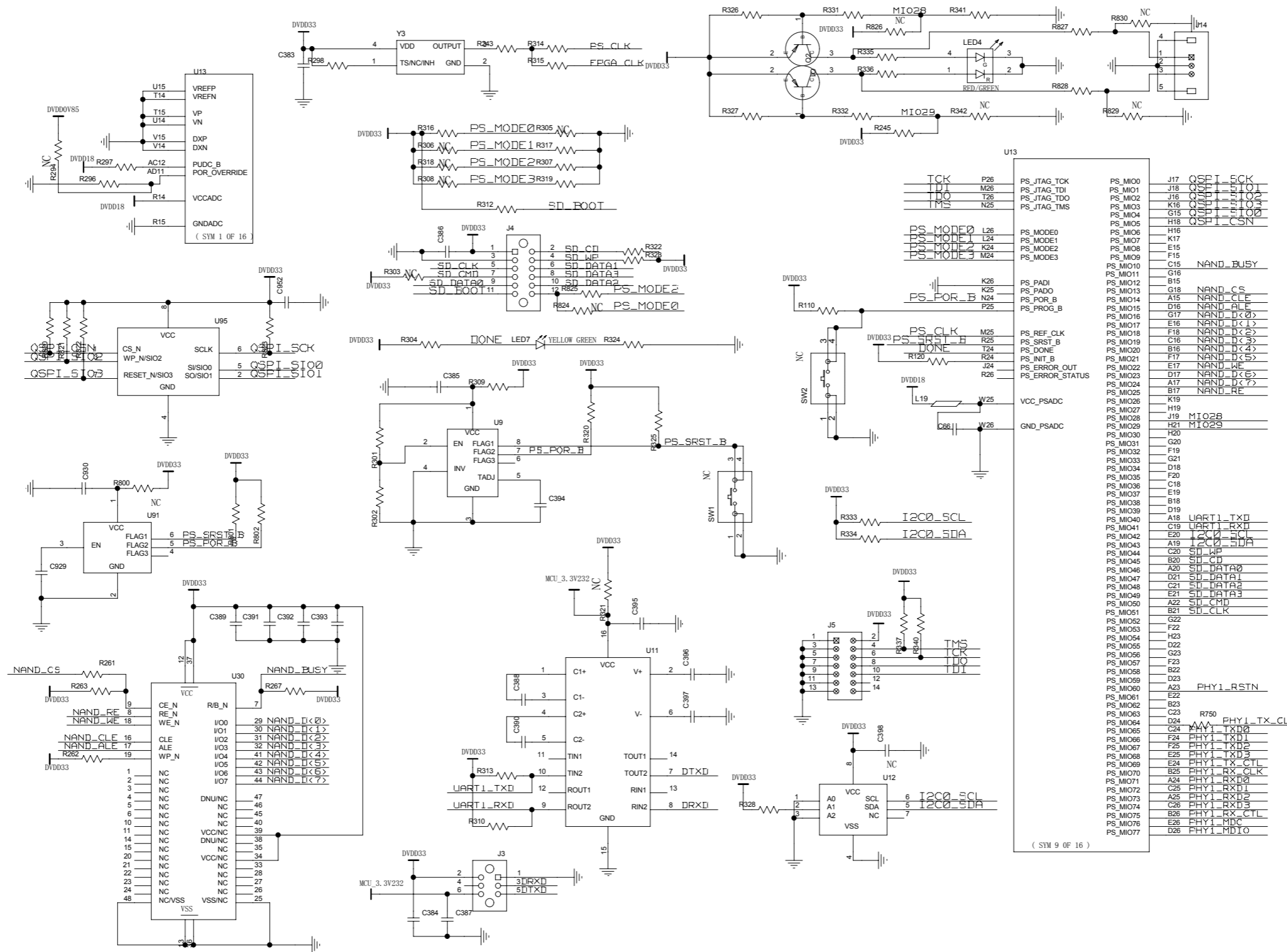
THIS DOCUMENT CONTAINS INFORMATION PROPRIETARY TO CADENCE DESIGN SYSTEMS INC (CADENCE). USE OR DISCLOSURE WITHOUT THE WRITTEN PERMISSION OF AN OFFICER OF CADENCE IS EXPRESSLY FORBIDDEN. COPYRIGHT (C) CADENCE 1988

DRAWING TITLE

SIZE	REV.	DRAWING NO.
C		
SCALE		SHEET OF

REVISIONS

ZONE	LTR	DESCRIPTION	DATE	APPR.

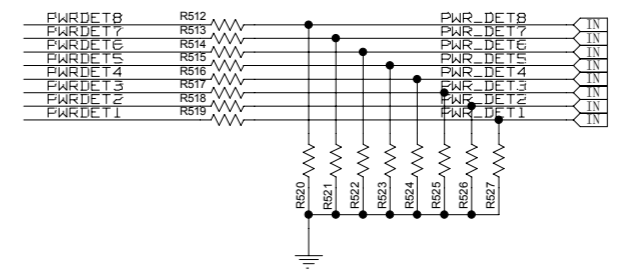
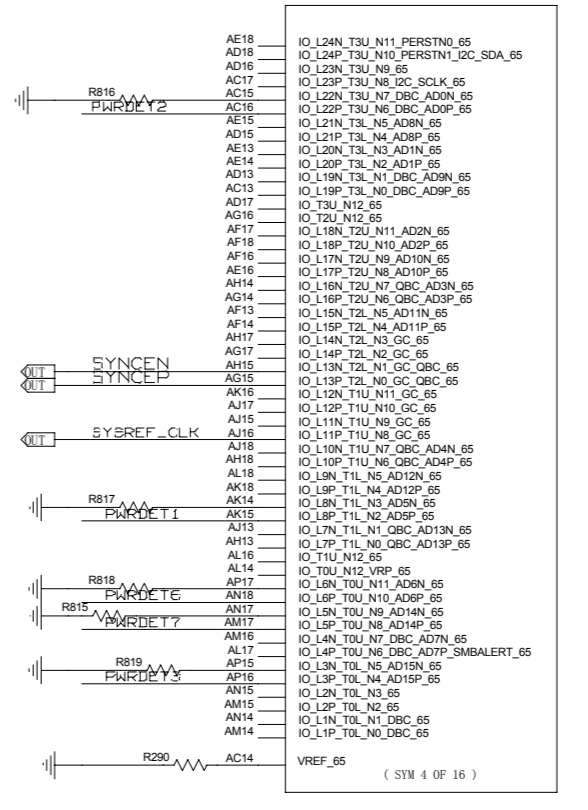
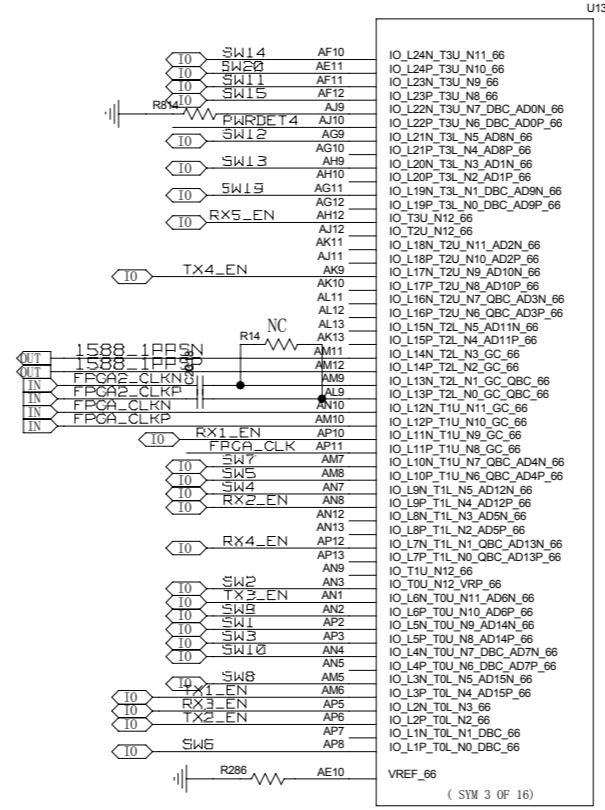
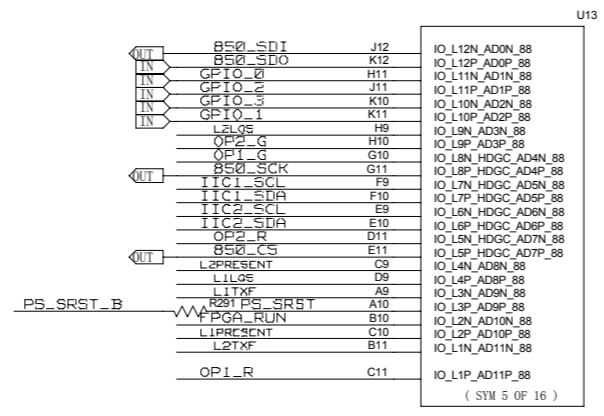
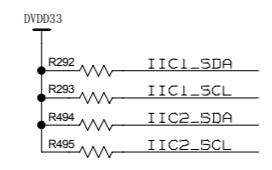
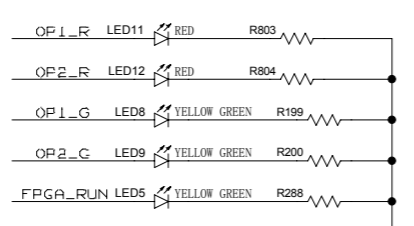
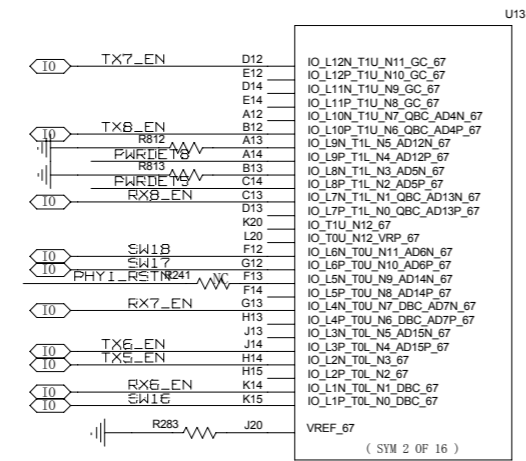


CADENCE DESIGN SYSTEMS, INC.
 CADENCE

THIS DOCUMENT CONTAINS INFORMATION PROPRIETARY TO CADENCE DESIGN SYSTEMS INC (CADENCE). USE OR DISCLOSURE WITHOUT THE WRITTEN PERMISSION OF AN OFFICER OF CADENCE IS EXPRESSLY FORBIDDEN. COPYRIGHT (C) CADENCE 1988

DRAWING TITLE			
SIZE	REV.	DRAWING NO.	
C			
SCALE			SHEET OF

REVISIONS				
ZONE	LTR	DESCRIPTION	DATE	APPR.



CADENCE DESIGN SYSTEMS, INC.

CADENCE

THIS DOCUMENT CONTAINS INFORMATION PROPRIETARY TO CADENCE DESIGN SYSTEMS INC (CADENCE). USE OR DISCLOSURE WITHOUT THE WRITTEN PERMISSION OF AN OFFICER OF CADENCE IS EXPRESSLY FORBIDDEN. COPYRIGHT (C) CADENCE 1988

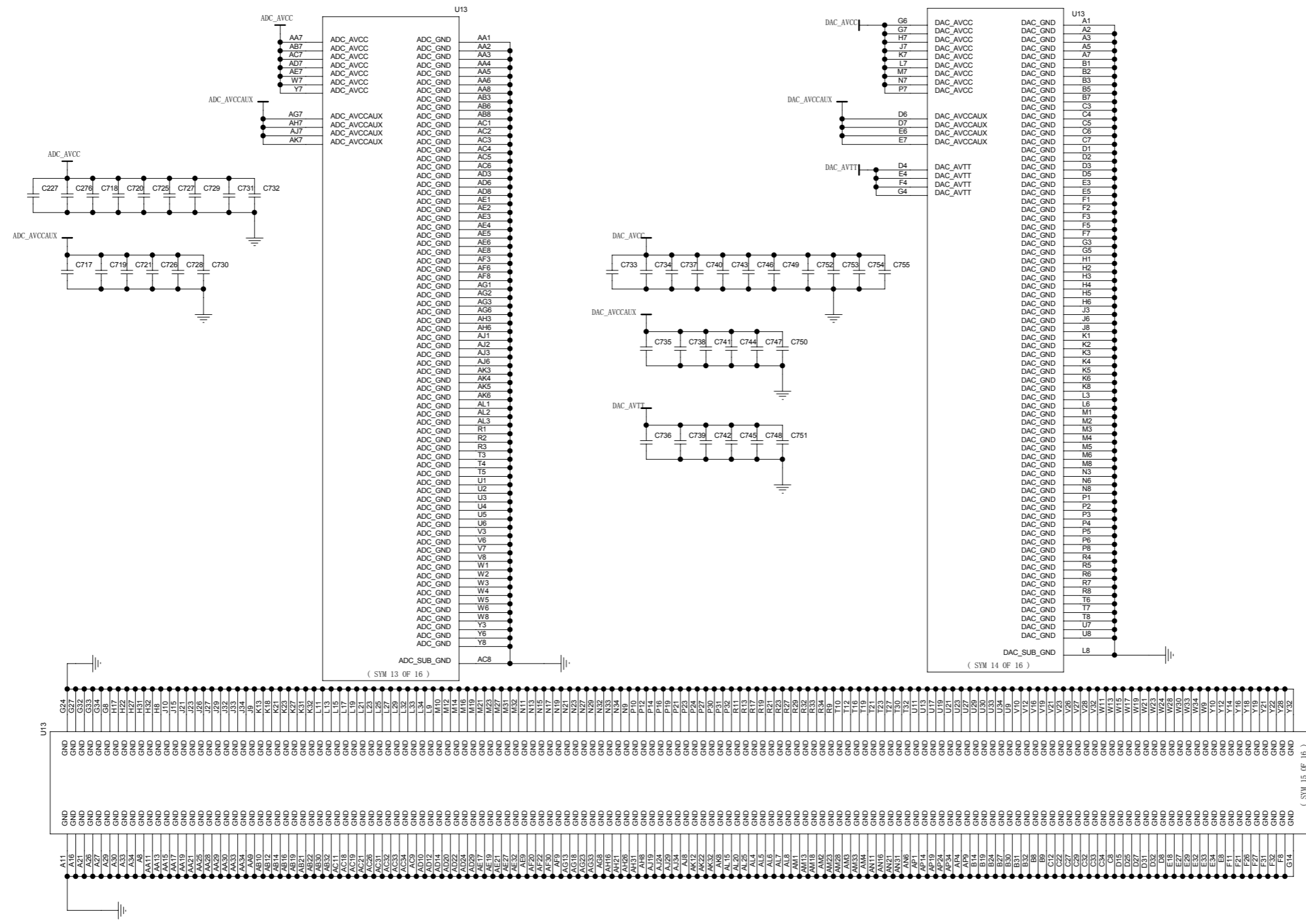
DRAWING TITLE

SIZE	REV.	DRAWING NO.
C		

SCALE

SHEET OF

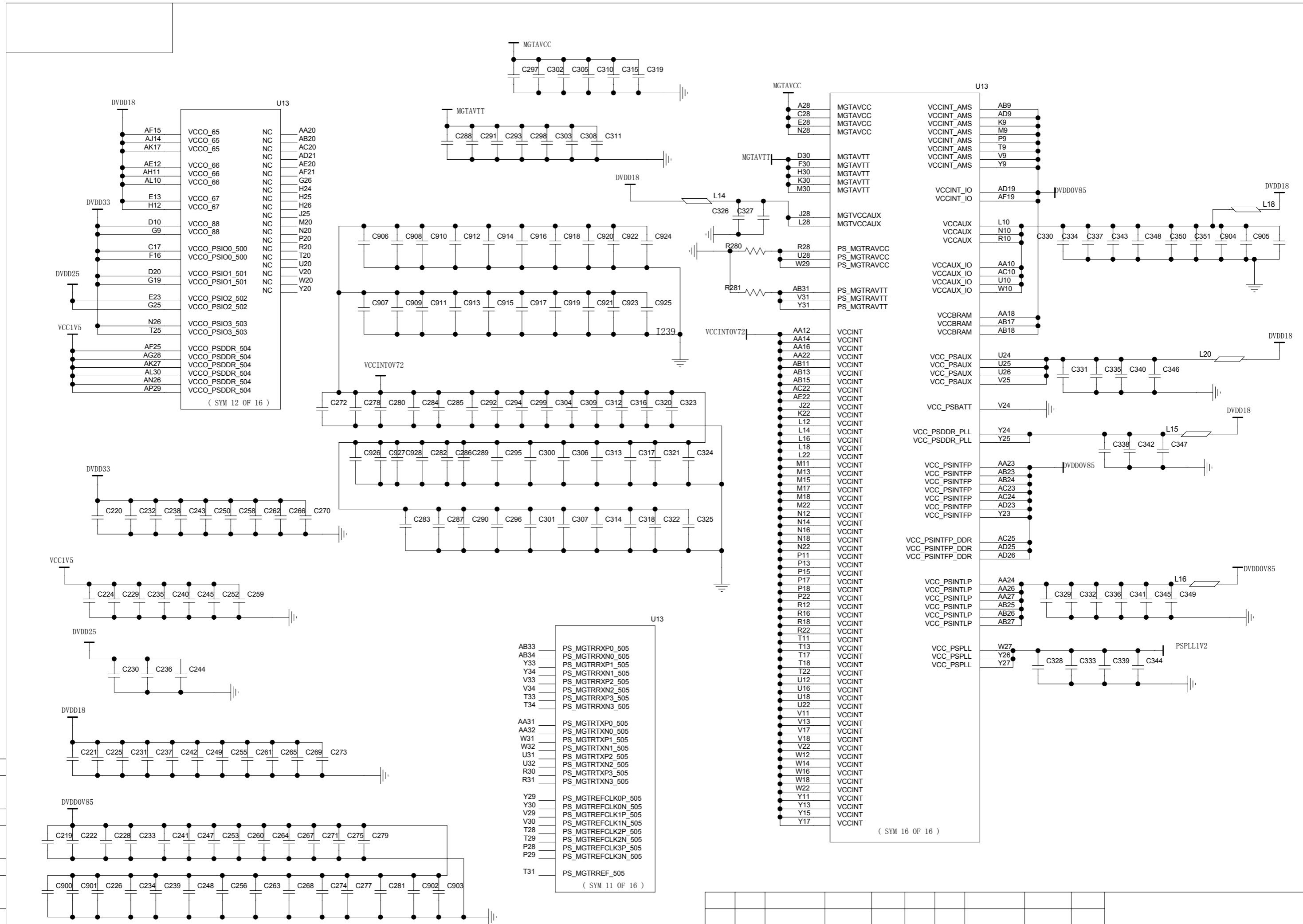
REVISIONS				
ZONE	LTR	DESCRIPTION	DATE	APPR.



CADENCE DESIGN SYSTEMS, INC.

THIS DOCUMENT CONTAINS INFORMATION PROPRIETARY TO CADENCE DESIGN SYSTEMS INC (CADENCE). USE OR DISCLOSURE WITHOUT THE WRITTEN PERMISSION OF AN OFFICER OF CADENCE IS EXPRESSLY FORBIDDEN. COPYRIGHT (C) CADENCE 1988

DRAWING TITLE		DRAWING NO.	
SIZE C	REV.	SHEET OF	
SCALE			



媒体编号

旧底图总号

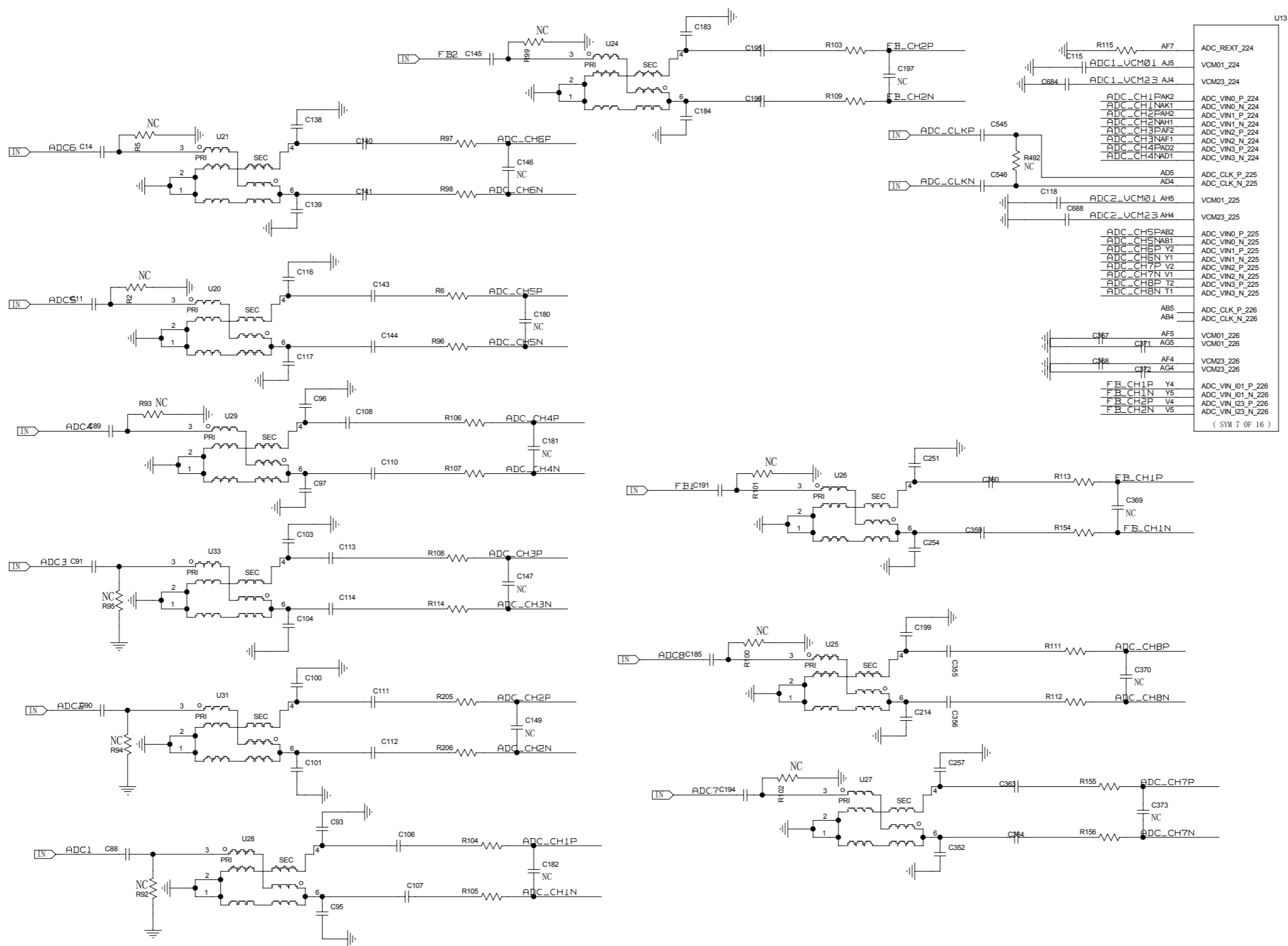
底图总号

日期

签名

标记	数量	更改单号	签名	日期	标记	数量	更改单号	签名	日期

REVISIONS				
ZONE	LTR	DESCRIPTION	DATE	APPR.

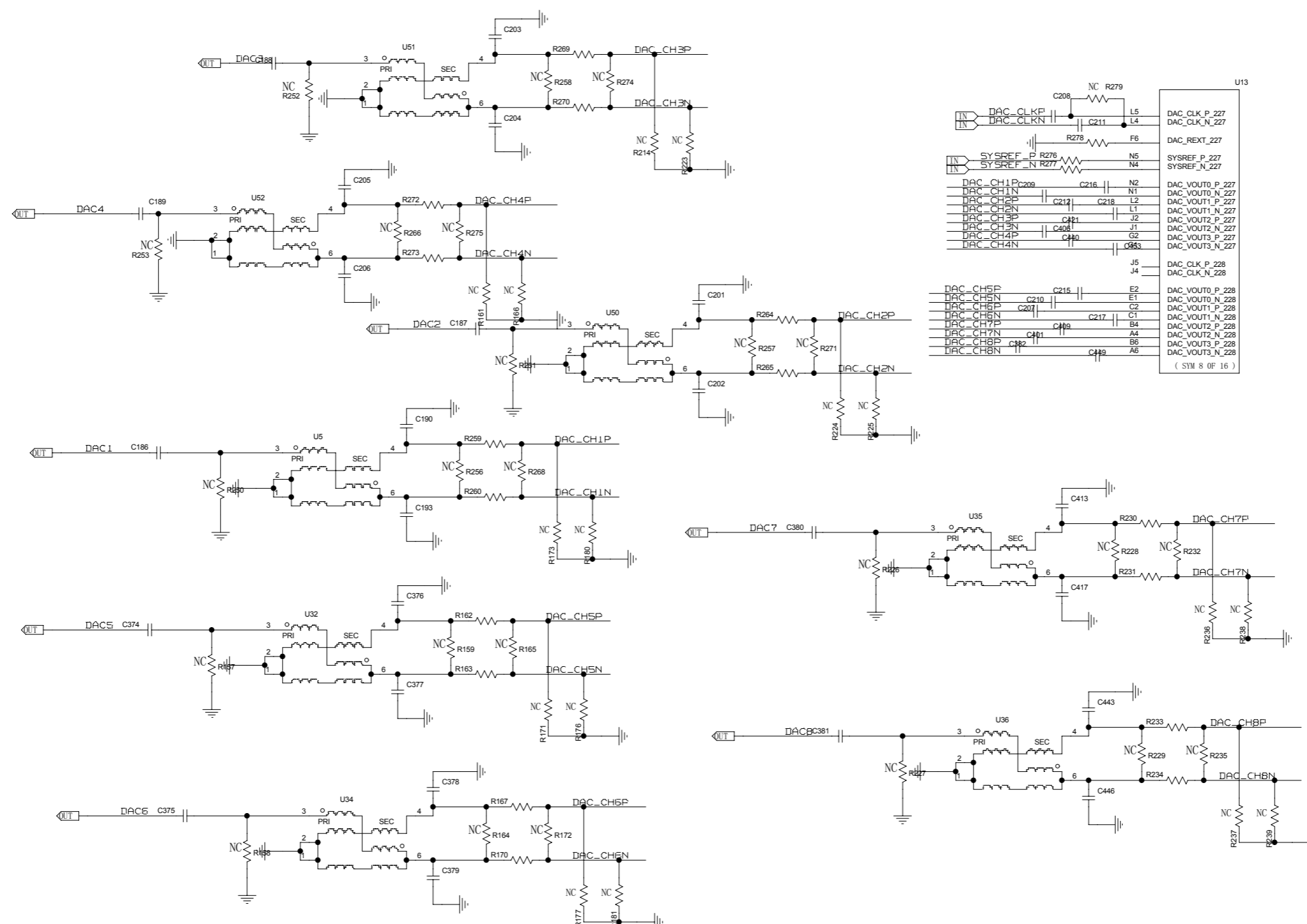


CADENCE DESIGN SYSTEMS, INC.
 CADENCE

THIS DOCUMENT CONTAINS INFORMATION PROPRIETARY TO CADENCE DESIGN SYSTEMS INC (CADENCE). USE OR DISCLOSURE WITHOUT THE WRITTEN PERMISSION OF AN OFFICER OF CADENCE IS EXPRESSLY FORBIDDEN. COPYRIGHT (C) CADENCE 1988

DRAWING TITLE		DRAWING NO.	
SIZE C	REV.	DRAWING NO.	
SCALE	SHEET		OF

REVISIONS				
ZONE	LTR	DESCRIPTION	DATE	APPR.

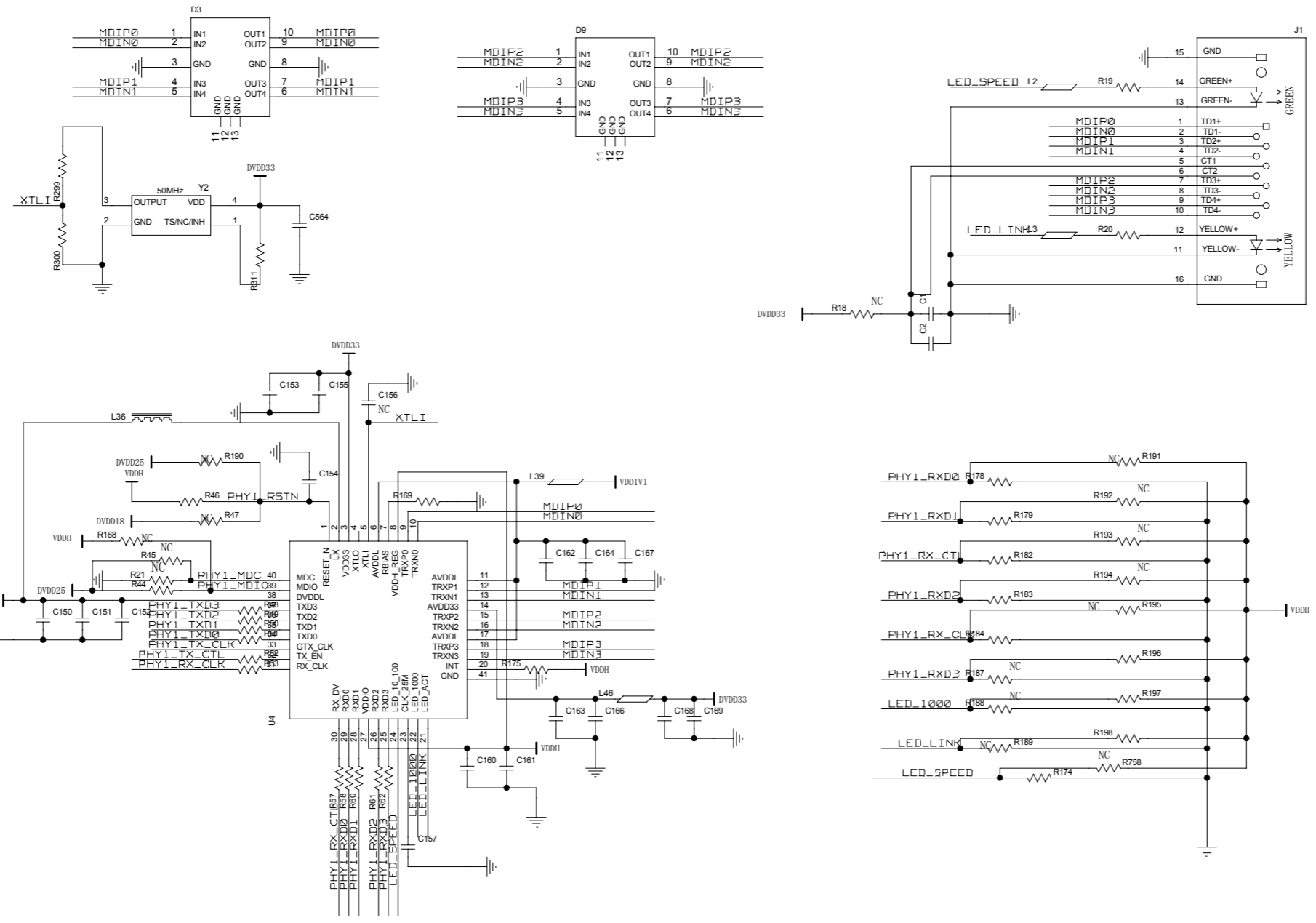


IN	DAC_CLKP	C208	NC	R279	L5	DAC_CLK_P_227
IN	DAC_CLKN	C211	NC	R278	F6	DAC_CLK_N_227
IN	SYSREF_P	R276	NC	N5	SYSREF_P_227	
IN	SYSREF_N	R277	NC	N4	SYSREF_N_227	
DAC_CH1P	C209	C216	NC	N2	DAC_VOUT0_P_227	
DAC_CH1N	C212	C218	NC	N1	DAC_VOUT0_N_227	
DAC_CH2P	C213	C219	NC	L2	DAC_VOUT1_P_227	
DAC_CH2N	C214	C220	NC	L1	DAC_VOUT1_N_227	
DAC_CH3P	C215	C221	NC	J2	DAC_VOUT2_P_227	
DAC_CH3N	C216	C222	NC	J1	DAC_VOUT2_N_227	
DAC_CH4P	C217	C223	NC	G2	DAC_VOUT3_P_227	
DAC_CH4N	C218	C224	NC	G1	DAC_VOUT3_N_227	
DAC_CH5P	C219	C225	NC	J5	DAC_CLK_P_228	
DAC_CH5N	C220	C226	NC	J4	DAC_CLK_N_228	
DAC_CH6P	C221	C227	NC	E2	DAC_VOUT0_P_228	
DAC_CH6N	C222	C228	NC	E1	DAC_VOUT0_N_228	
DAC_CH7P	C223	C229	NC	C2	DAC_VOUT1_P_228	
DAC_CH7N	C224	C230	NC	C1	DAC_VOUT1_N_228	
DAC_CH8P	C225	C231	NC	B4	DAC_VOUT2_P_228	
DAC_CH8N	C226	C232	NC	A4	DAC_VOUT2_N_228	
DAC_CH9P	C227	C233	NC	B6	DAC_VOUT3_P_228	
DAC_CH9N	C228	C234	NC	A6	DAC_VOUT3_N_228	

(SYM 8 OF 16)

<p>CADENCE DESIGN SYSTEMS, INC.</p>		DRAWING TITLE	
<p>THIS DOCUMENT CONTAINS INFORMATION PROPRIETARY TO CADENCE DESIGN SYSTEMS INC (CADENCE). USE OR DISCLOSURE WITHOUT THE WRITTEN PERMISSION OF AN OFFICER OF CADENCE IS EXPRESSLY FORBIDDEN. COPYRIGHT (C) CADENCE 1988</p>	<p>SIZE C</p>	<p>REV.</p>	<p>DRAWING NO.</p>
<p>SCALE</p>	<p>SHEET OF</p>		<p>SHEET OF</p>

REVISIONS				
ZONE	LTR	DESCRIPTION	DATE	APPR.

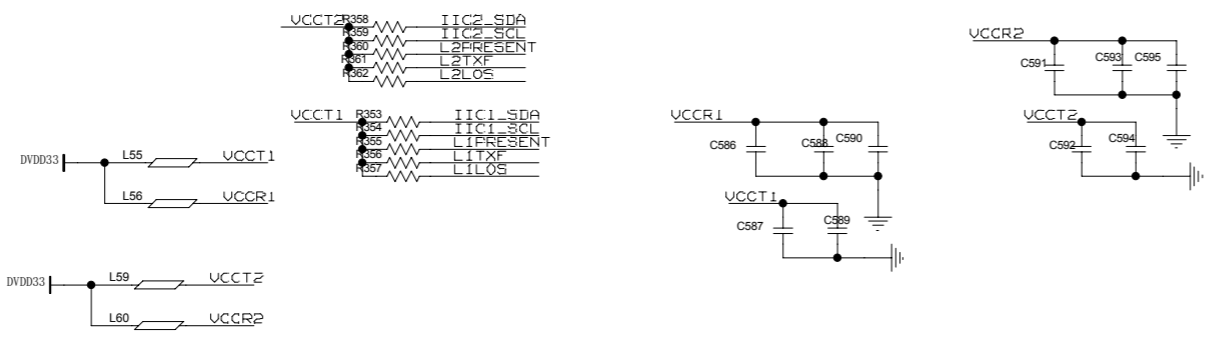
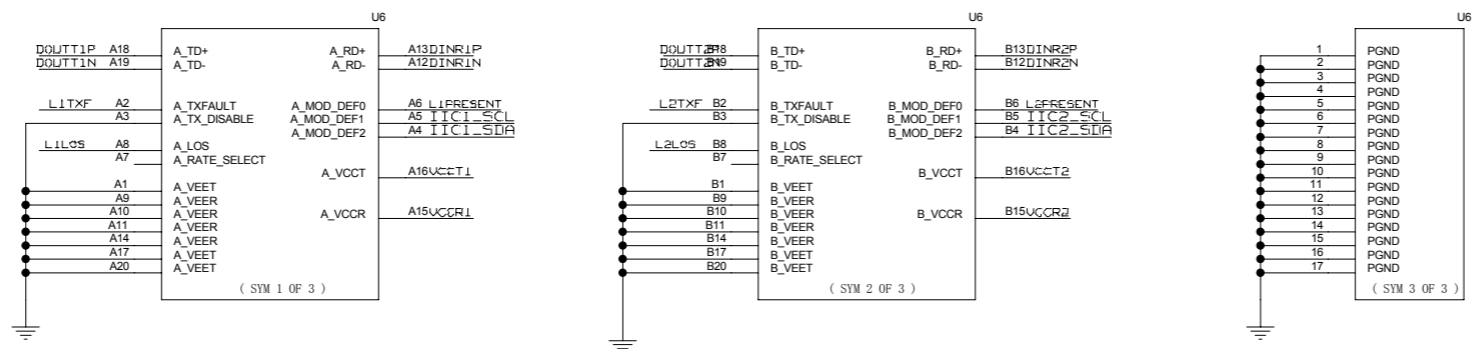
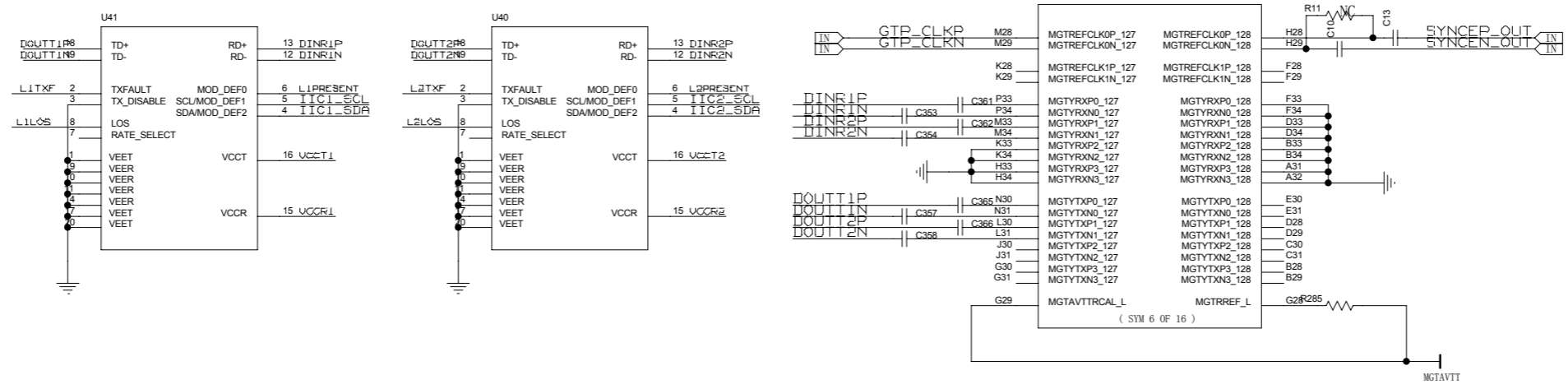


CADENCE DESIGN SYSTEMS, INC.
 CADENCE

THIS DOCUMENT CONTAINS INFORMATION PROPRIETARY TO CADENCE DESIGN SYSTEMS INC (CADENCE). USE OR DISCLOSURE WITHOUT THE WRITTEN PERMISSION OF AN OFFICER OF CADENCE IS EXPRESSLY FORBIDDEN. COPYRIGHT (C) CADENCE 1988

DRAWING TITLE			
SIZE	REV.	DRAWING NO.	
C			
SCALE			SHEET OF

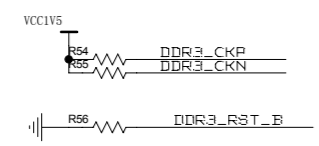
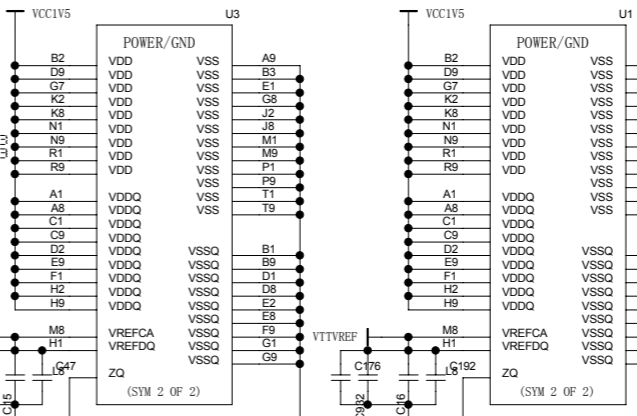
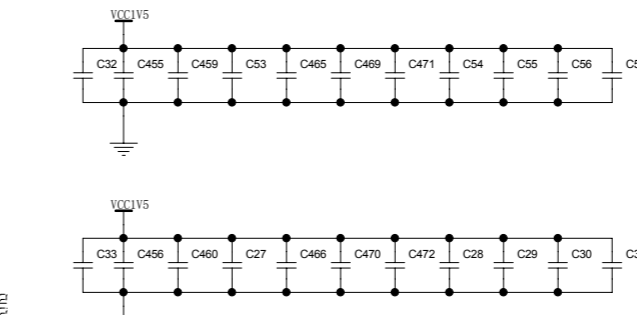
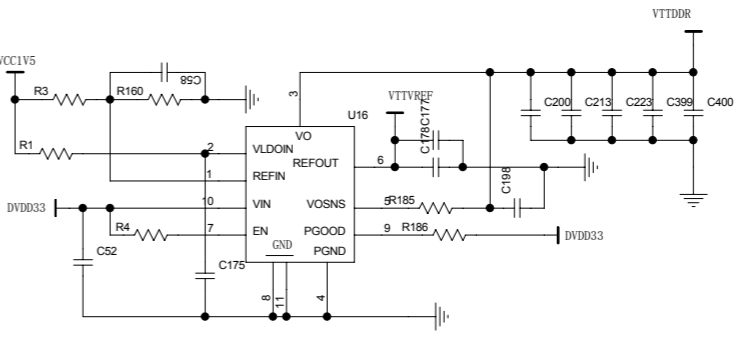
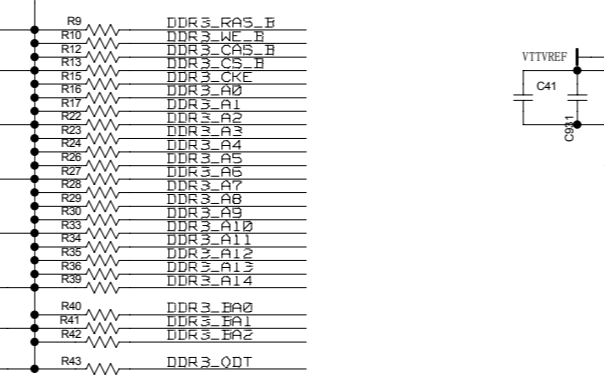
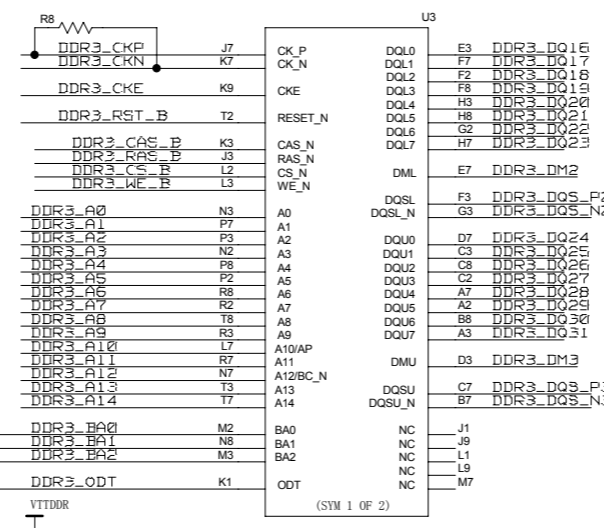
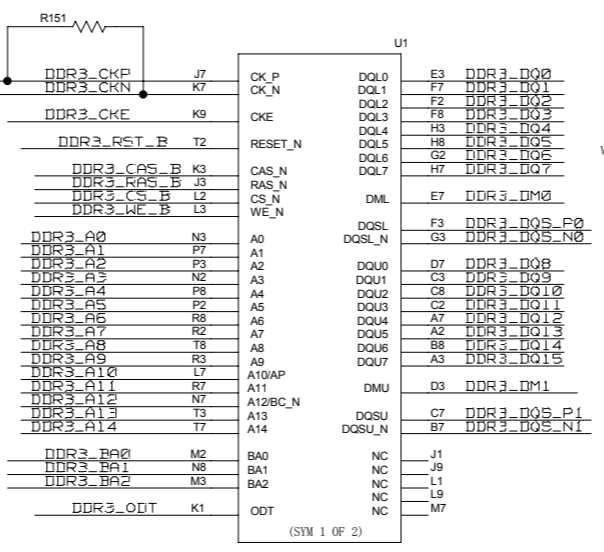
REVISIONS				
ZONE	LTR	DESCRIPTION	DATE	APPR.



CADENCE DESIGN SYSTEMS, INC. 		DRAWING TITLE	
<small>THIS DOCUMENT CONTAINS INFORMATION PROPRIETARY TO CADENCE DESIGN SYSTEMS INC (CADENCE). USE OR DISCLOSURE WITHOUT THE WRITTEN PERMISSION OF AN OFFICER OF CADENCE IS EXPRESSLY FORBIDDEN. COPYRIGHT (C) CADENCE 1988</small>		SIZE C	REV.
SCALE		DRAWING NO.	
SHEET		OF	

REVISIONS				
ZONE	LTR	DESCRIPTION	DATE	APPR.

Signal	PS Part	PS Pin	AP Part	AP Pin
DDR3_A0	AN29	PS_DDR_A0	AP22	DDR3_DQ0
DDR3_A1	AP27	PS_DDR_A1	AM21	DDR3_DQ1
DDR3_A2	AP25	PS_DDR_A2	AP21	DDR3_DQ2
DDR3_A3	AP28	PS_DDR_A3	PS_DDR_DQ3	DDR3_DQ3
DDR3_A4	AN27	PS_DDR_A4	AP18	DDR3_DQ4
DDR3_A5	AN25	PS_DDR_A5	PS_DDR_DQ4	DDR3_DQ4
DDR3_A6	AK26	PS_DDR_A6	AN19	DDR3_DQ5
DDR3_A7	AK25	PS_DDR_A7	AM19	DDR3_DQ5
DDR3_A8	AL28	PS_DDR_A8	AL19	DDR3_DQ7
DDR3_A9	AL25	PS_DDR_A9	AL22	DDR3_DQ8
DDR3_A10	AL28	PS_DDR_A10	AK23	DDR3_DQ9
DDR3_A11	AM26	PS_DDR_A11	AM20	DDR3_DQ10
DDR3_A12	AL29	PS_DDR_A12	AN20	DDR3_DQ11
DDR3_A13	AM25	PS_DDR_A13	AK24	DDR3_DQ12
DDR3_A14	AM29	PS_DDR_A14	AL24	DDR3_DQ13
DDR3_WE_B	AH25	PS_DDR_A15	AN21	DDR3_DQ14
DDR3_CAS_B	AG25	PS_DDR_A16	AM21	DDR3_DQ15
DDR3_BA0	AG26	PS_DDR_A17	AJ24	DDR3_DQ16
DDR3_BA1	AK28	PS_DDR_BA0	AK20	DDR3_DQ17
DDR3_BA2	AJ27	PS_DDR_BA1	AK19	DDR3_DQ18
PS_DDR_BG0	AJ28	PS_DDR_DQ20	AG20	DDR3_DQ20
PS_DDR_BG1	AJ28	PS_DDR_DQ21	AG19	DDR3_DQ21
PS_DDR_DQ22	AE29	PS_DDR_DQ22	AG20	DDR3_DQ22
PS_DDR_DQ23	AE28	PS_DDR_DQ23	AH18	DDR3_DQ23
PS_DDR_DQ24	AE28	PS_DDR_DQ24	AE21	DDR3_DQ24
PS_DDR_DQ25	AF28	PS_DDR_DQ25	AF24	DDR3_DQ25
PS_DDR_DQ26	AD30	PS_DDR_DQ26	AE24	DDR3_DQ26
PS_DDR_DQ27	AD30	PS_DDR_DQ27	AE24	DDR3_DQ27
PS_DDR_DQ28	AD28	PS_DDR_DQ28	AH24	DDR3_DQ28
PS_DDR_DQ29	AD27	PS_DDR_DQ29	AH22	DDR3_DQ29
PS_DDR_DQ30	AD27	PS_DDR_DQ30	AJ24	DDR3_DQ30
PS_DDR_DQ31	AD27	PS_DDR_DQ31	AH24	DDR3_DQ31
PS_DDR_DQ32	AE29	PS_DDR_DQ32	AE29	
PS_DDR_DQ33	AE28	PS_DDR_DQ33	AE28	
PS_DDR_DQ34	AE28	PS_DDR_DQ34	AE28	
PS_DDR_DQ35	AF28	PS_DDR_DQ35	AF28	
PS_DDR_DQ36	AJ30	PS_DDR_DQ36	AJ30	
PS_DDR_DQ37	AH29	PS_DDR_DQ37	AH29	
PS_DDR_DQ38	AH28	PS_DDR_DQ38	AH28	
PS_DDR_DQ39	AE30	PS_DDR_DQ39	AE30	
PS_DDR_DQ40	AD30	PS_DDR_DQ40	AD30	
PS_DDR_DQ41	AD28	PS_DDR_DQ41	AD28	
PS_DDR_DQ42	AD27	PS_DDR_DQ42	AD27	
PS_DDR_DQ43	AD29	PS_DDR_DQ43	AD29	
PS_DDR_DQ44	AC28	PS_DDR_DQ44	AC28	
PS_DDR_DQ45	AC27	PS_DDR_DQ45	AC27	
PS_DDR_DQ46	AG34	PS_DDR_DQ46	AG34	
PS_DDR_DQ47	AH32	PS_DDR_DQ47	AH32	
PS_DDR_DQ48	AH34	PS_DDR_DQ48	AH34	
PS_DDR_DQ49	AK34	PS_DDR_DQ49	AK34	
PS_DDR_DQ50	AK33	PS_DDR_DQ50	AK33	
PS_DDR_DQ51	AK31	PS_DDR_DQ51	AK31	
PS_DDR_DQ52	AK30	PS_DDR_DQ52	AK30	
PS_DDR_DQ53	AG32	PS_DDR_DQ53	AG32	
PS_DDR_DQ54	AF31	PS_DDR_DQ54	AF31	
PS_DDR_DQ55	AF34	PS_DDR_DQ55	AF34	
PS_DDR_DQ56	AE34	PS_DDR_DQ56	AE34	
PS_DDR_DQ57	AD32	PS_DDR_DQ57	AD32	
PS_DDR_DQ58	AD34	PS_DDR_DQ58	AD34	
PS_DDR_DQ59	AD33	PS_DDR_DQ59	AD33	
PS_DDR_DQ60	AM32	PS_DDR_DQ60	AM32	
PS_DDR_DQ61	AL31	PS_DDR_DQ61	AL31	
PS_DDR_DQ62	AL32	PS_DDR_DQ62	AL32	
PS_DDR_DQ63	AP33	PS_DDR_DQ63	AP33	
PS_DDR_DQ64	AM34	PS_DDR_DQ64	AM34	
PS_DDR_DQ65	AN34	PS_DDR_DQ65	AN34	
PS_DDR_DQ66	AL34	PS_DDR_DQ66	AL34	
PS_DDR_DM0	AM20	PS_DDR_DM0	PS_DDR_DQ65	
PS_DDR_DM1	AL23	PS_DDR_DM1	PS_DDR_DQ66	
PS_DDR_DM2	AL20	PS_DDR_DM2	PS_DDR_DQ67	
PS_DDR_DM3	AG22	PS_DDR_DM3	PS_DDR_DQ68	
PS_DDR_DM4	AG31	PS_DDR_DM4	PS_DDR_DQ69	
PS_DDR_DM5	AD31	PS_DDR_DM5	PS_DDR_DQ70	
PS_DDR_DM6	AJ31	PS_DDR_DM6	PS_DDR_DQ71	
PS_DDR_DM7	AE33	PS_DDR_DM7		
PS_DDR_DM8	AL33	PS_DDR_DM8		
PS_DDR_ZQ	AF26	PS_DDR_ZQ		



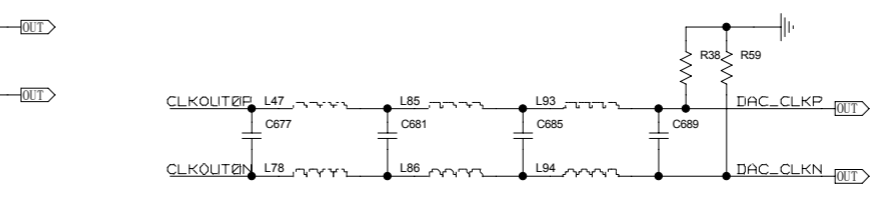
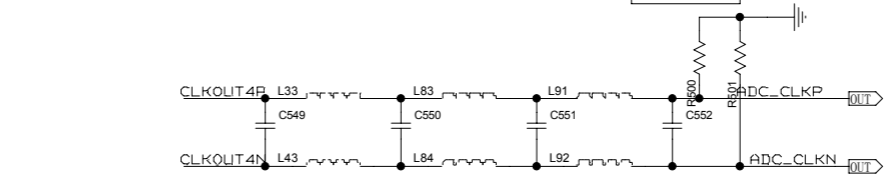
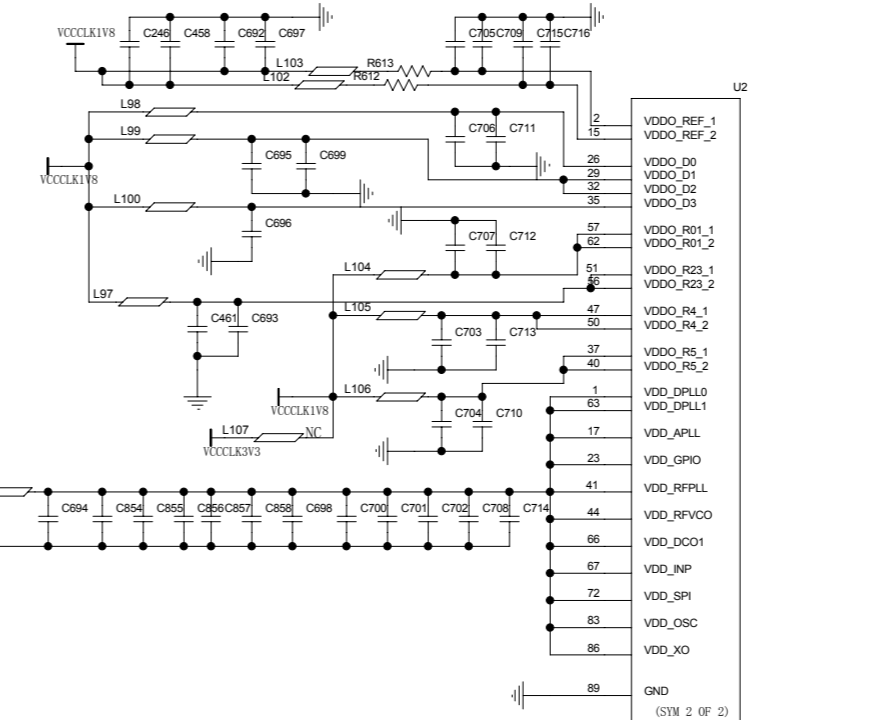
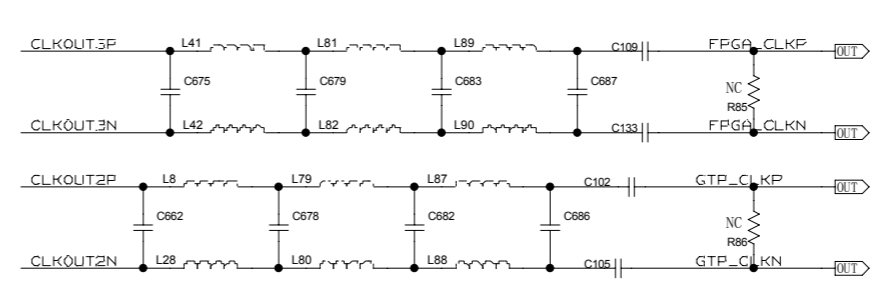
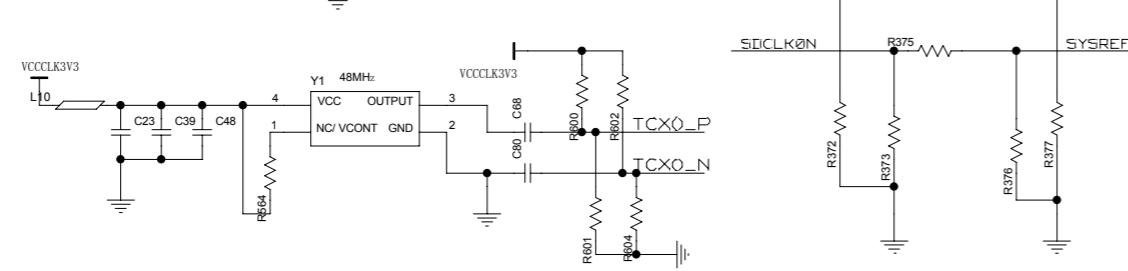
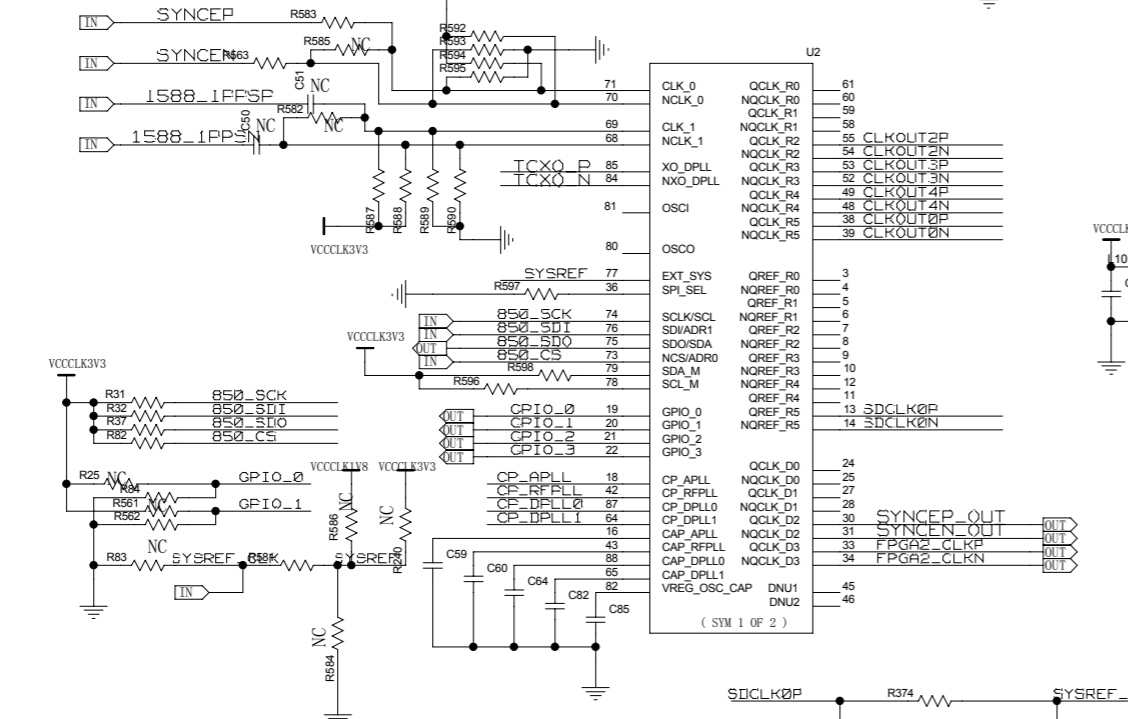
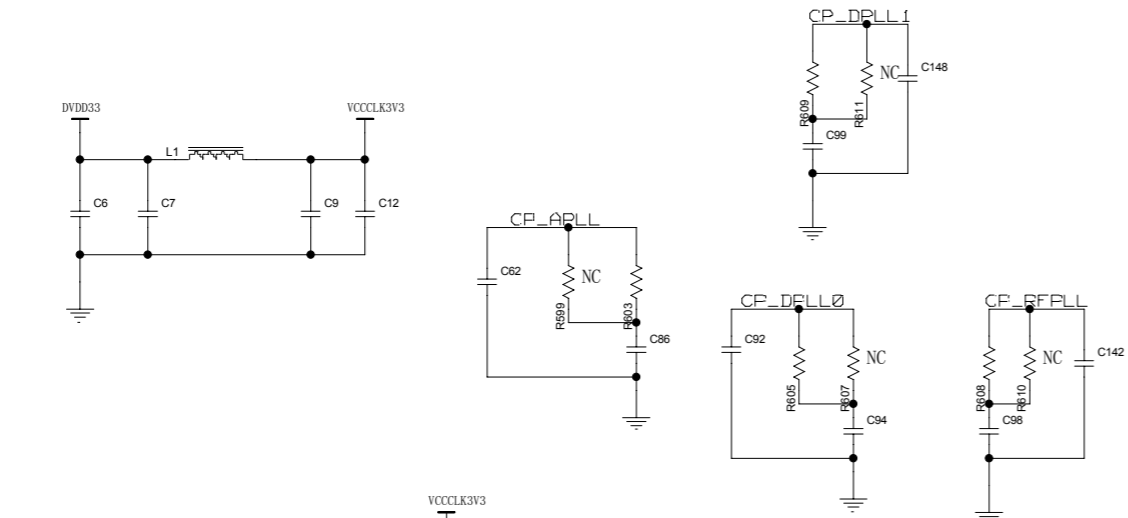
CADENCE DESIGN SYSTEMS, INC.
 CADENCE

THIS DOCUMENT CONTAINS INFORMATION PROPRIETARY TO CADENCE DESIGN SYSTEMS INC (CADENCE). USE OR DISCLOSURE WITHOUT THE WRITTEN PERMISSION OF AN OFFICER OF CADENCE IS EXPRESSLY FORBIDDEN. COPYRIGHT (C) CADENCE 1998

DRAWING TITLE

SIZE	REV.	DRAWING NO.
C		
SCALE		SHEET OF

REVISIONS				
ZONE	LTR	DESCRIPTION	DATE	APPR.

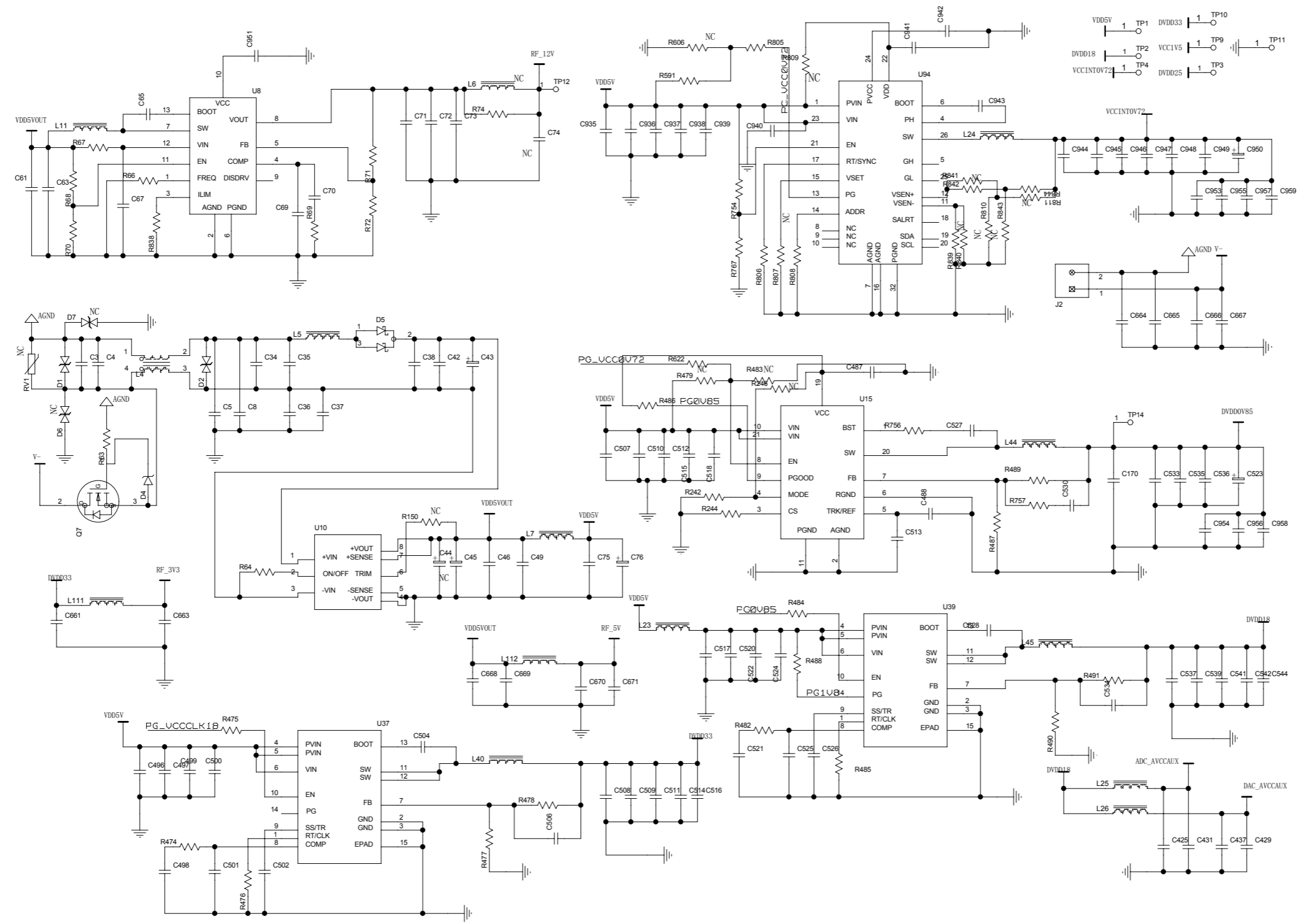


CADENCE DESIGN SYSTEMS, INC.
 CADENCE

THIS DOCUMENT CONTAINS INFORMATION PROPRIETARY TO CADENCE DESIGN SYSTEMS INC (CADENCE). USE OR DISCLOSURE WITHOUT THE WRITTEN PERMISSION OF AN OFFICER OF CADENCE IS EXPRESSLY FORBIDDEN. COPYRIGHT (C) CADENCE 1988

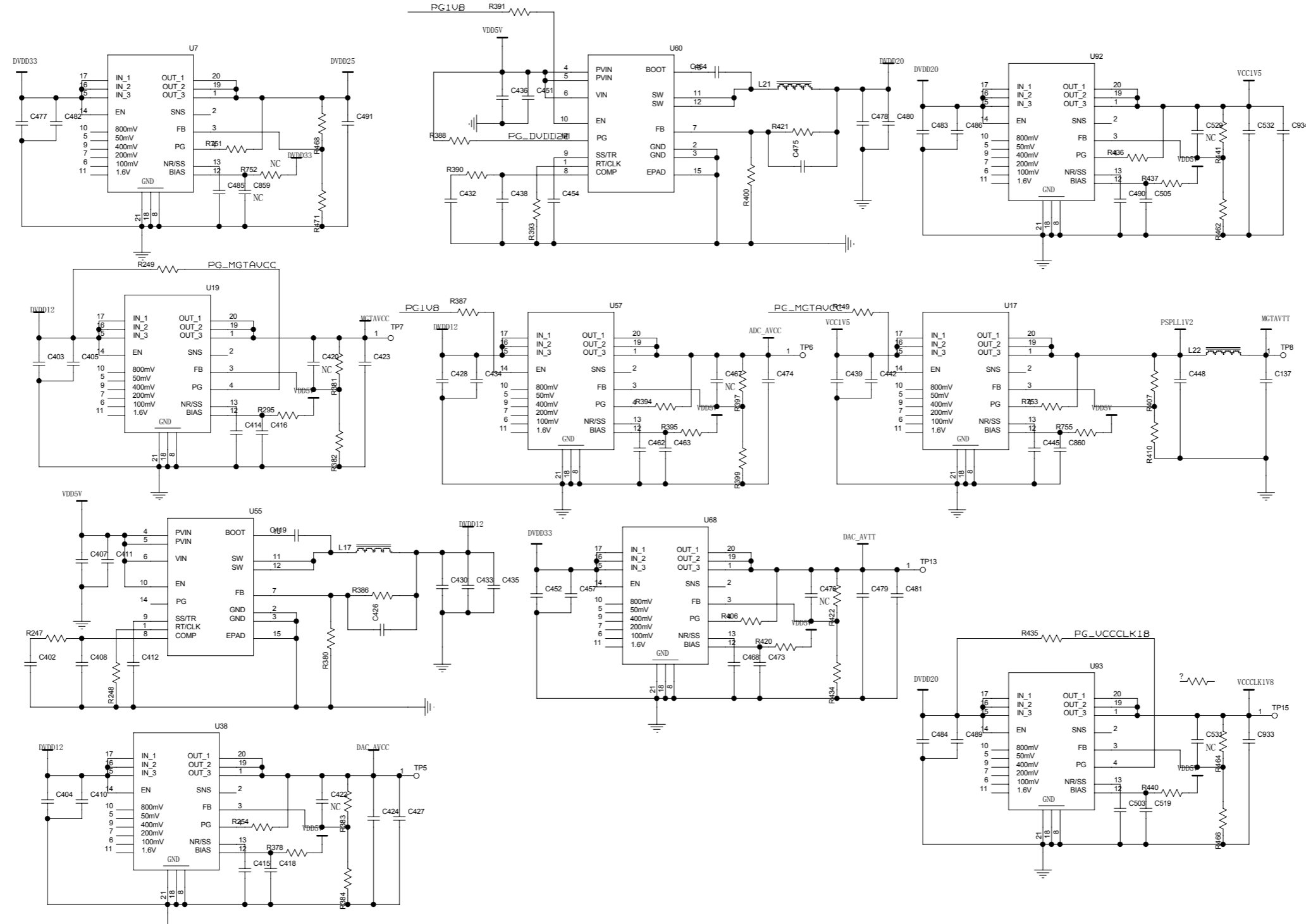
DRAWING TITLE		DRAWING NO.	
SIZE C	REV.	DRAWING NO.	
SCALE	SHEET		OF

REVISIONS				
ZONE	LTR	DESCRIPTION	DATE	APPR.



<p>CADEnce DESIGN SYSTEMS, INC.</p>		DRAWING TITLE	
		SIZE C	DRAWING NO.
<p>THIS DOCUMENT CONTAINS INFORMATION PROPRIETARY TO CADEnce DESIGN SYSTEMS INC (CADEnce). USE OR DISCLOSURE WITHOUT THE WRITTEN PERMISSION OF AN OFFICER OF CADEnce IS EXPRESSLY FORBIDDEN. COPYRIGHT (C) CADEnce 1988</p>		REV.	SHEET OF
		SCALE	

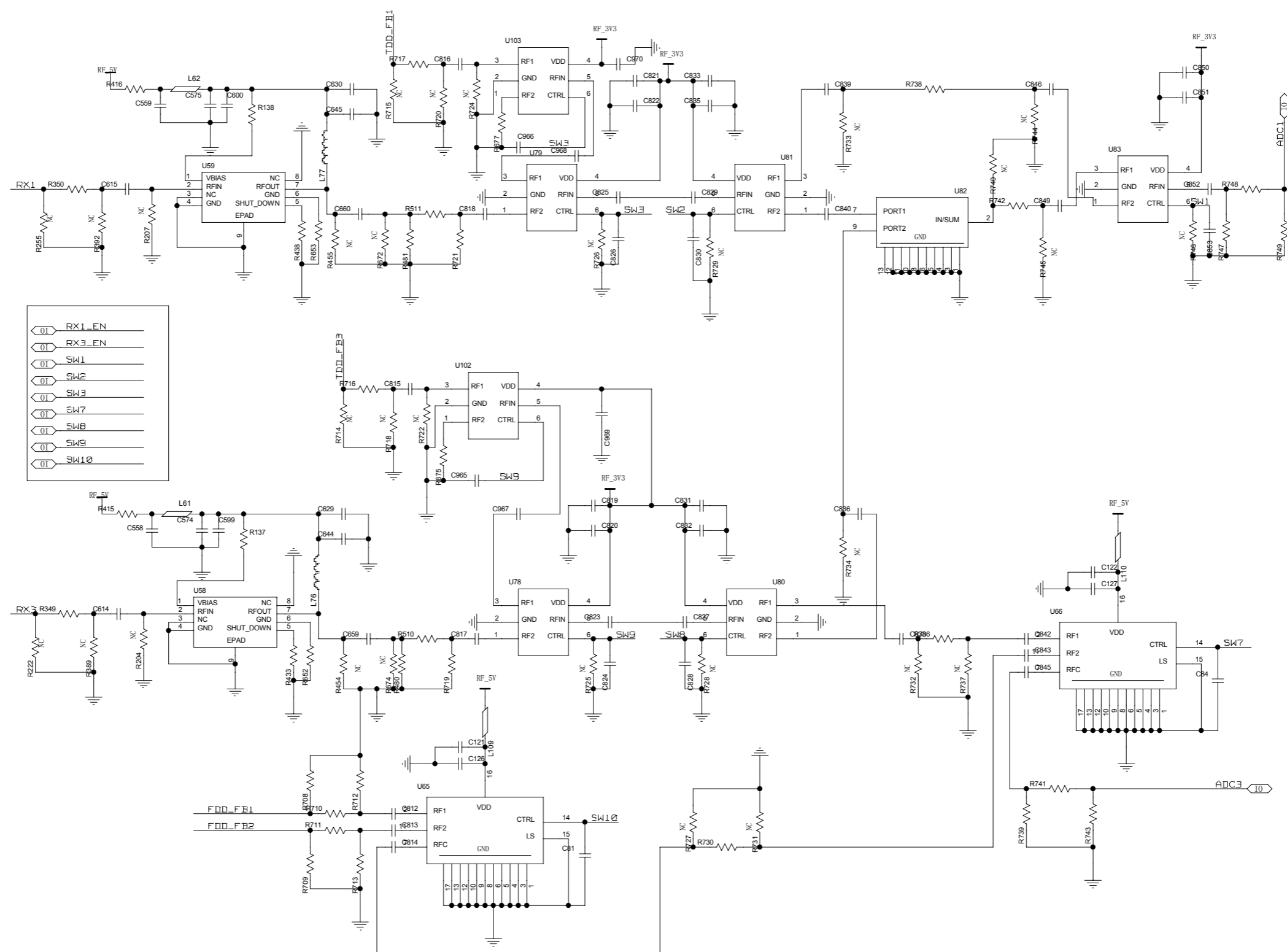
REVISIONS				
ZONE	LTR	DESCRIPTION	DATE	APPR.



CADENCE DESIGN SYSTEMS, INC.
 CADENCE
 THIS DOCUMENT CONTAINS INFORMATION PROPRIETARY TO CADENCE DESIGN SYSTEMS INC (CADENCE). USE OR DISCLOSURE WITHOUT THE WRITTEN PERMISSION OF AN OFFICER OF CADENCE IS EXPRESSLY FORBIDDEN. COPYRIGHT (C) CADENCE 1988

DRAWING TITLE		DRAWING NO.	
SIZE	REV.	SHEET OF	
C			
SCALE			

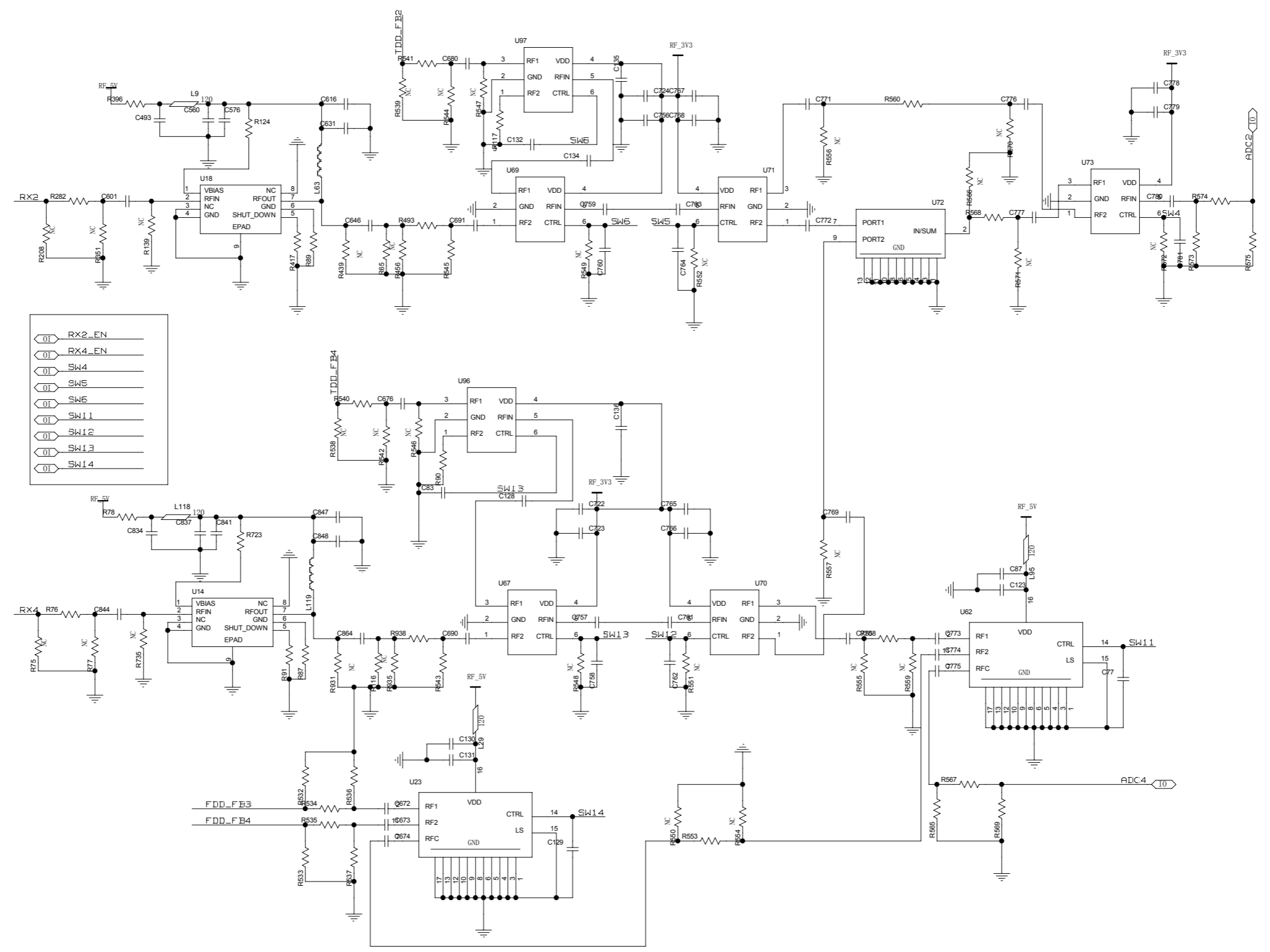
REVISIONS				
ZONE	LTR	DESCRIPTION	DATE	APPR.



- RX1_EN
- RX3_EN
- SW1
- SW2
- SW3
- SW7
- SW8
- SW9
- SW10

<p>CADENCE DESIGN SYSTEMS, INC.</p>		DRAWING TITLE	
		SIZE	DRAWING NO.
<p>THIS DOCUMENT CONTAINS INFORMATION PROPRIETARY TO CADENCE DESIGN SYSTEMS INC (CADENCE). USE OR DISCLOSURE WITHOUT THE WRITTEN PERMISSION OF AN OFFICER OF CADENCE IS EXPRESSLY FORBIDDEN. COPYRIGHT (C) CADENCE 1988</p>		REV.	SHEET OF
SCALE			

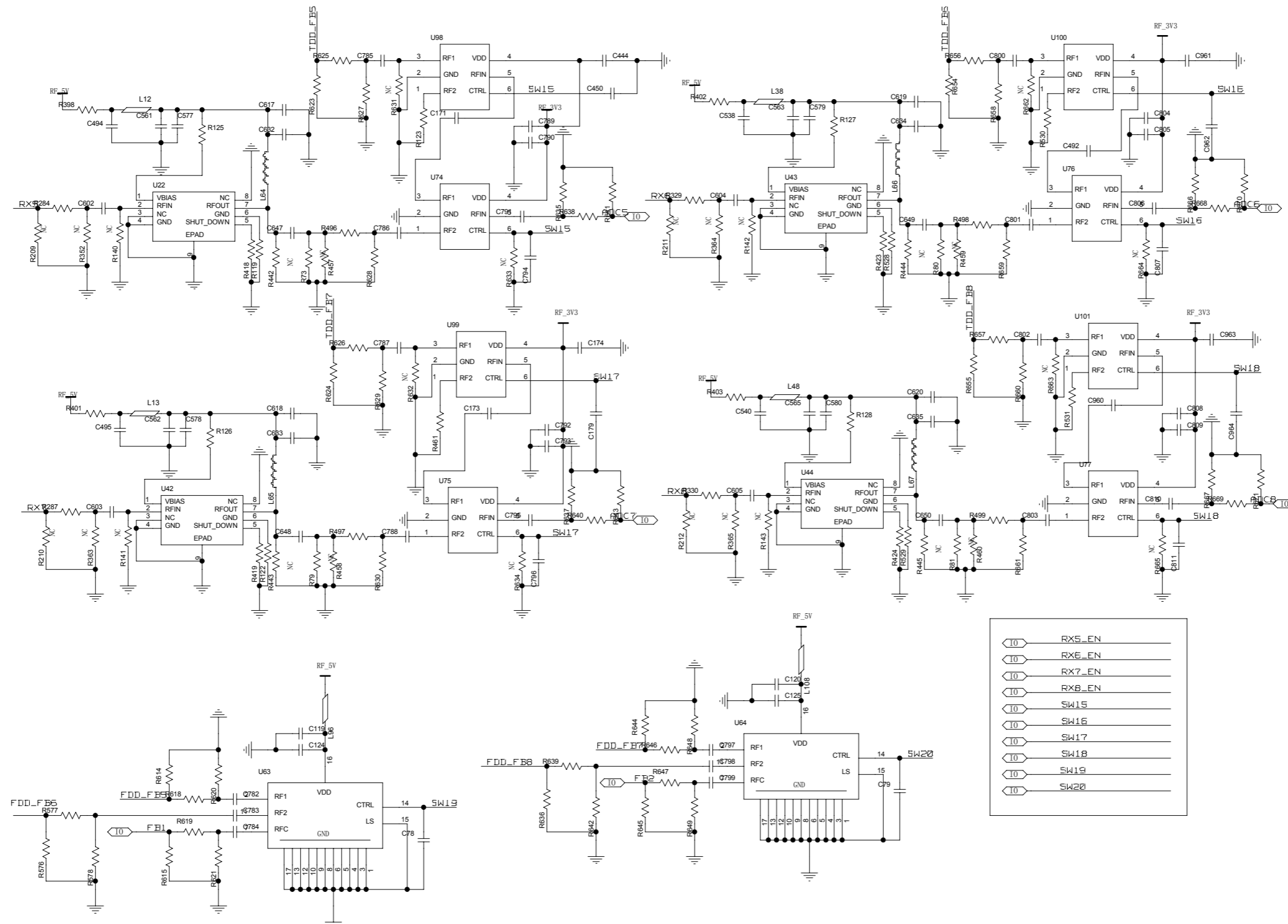
REVISIONS				
ZONE	LTR	DESCRIPTION	DATE	APPR.



- RX2_EN
- RX4_EN
- SW4
- SW5
- SW6
- SW11
- SW12
- SW13
- SW14

CADENCE DESIGN SYSTEMS, INC. 		DRAWING TITLE	
		SIZE C	DRAWING NO.
THIS DOCUMENT CONTAINS INFORMATION PROPRIETARY TO CADENCE DESIGN SYSTEMS INC (CADENCE). USE OR DISCLOSURE WITHOUT THE WRITTEN PERMISSION OF AN OFFICER OF CADENCE IS EXPRESSLY FORBIDDEN. COPYRIGHT (C) CADENCE 1988		REV.	SHEET OF
		SCALE	

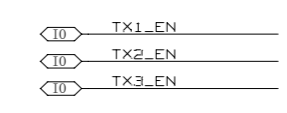
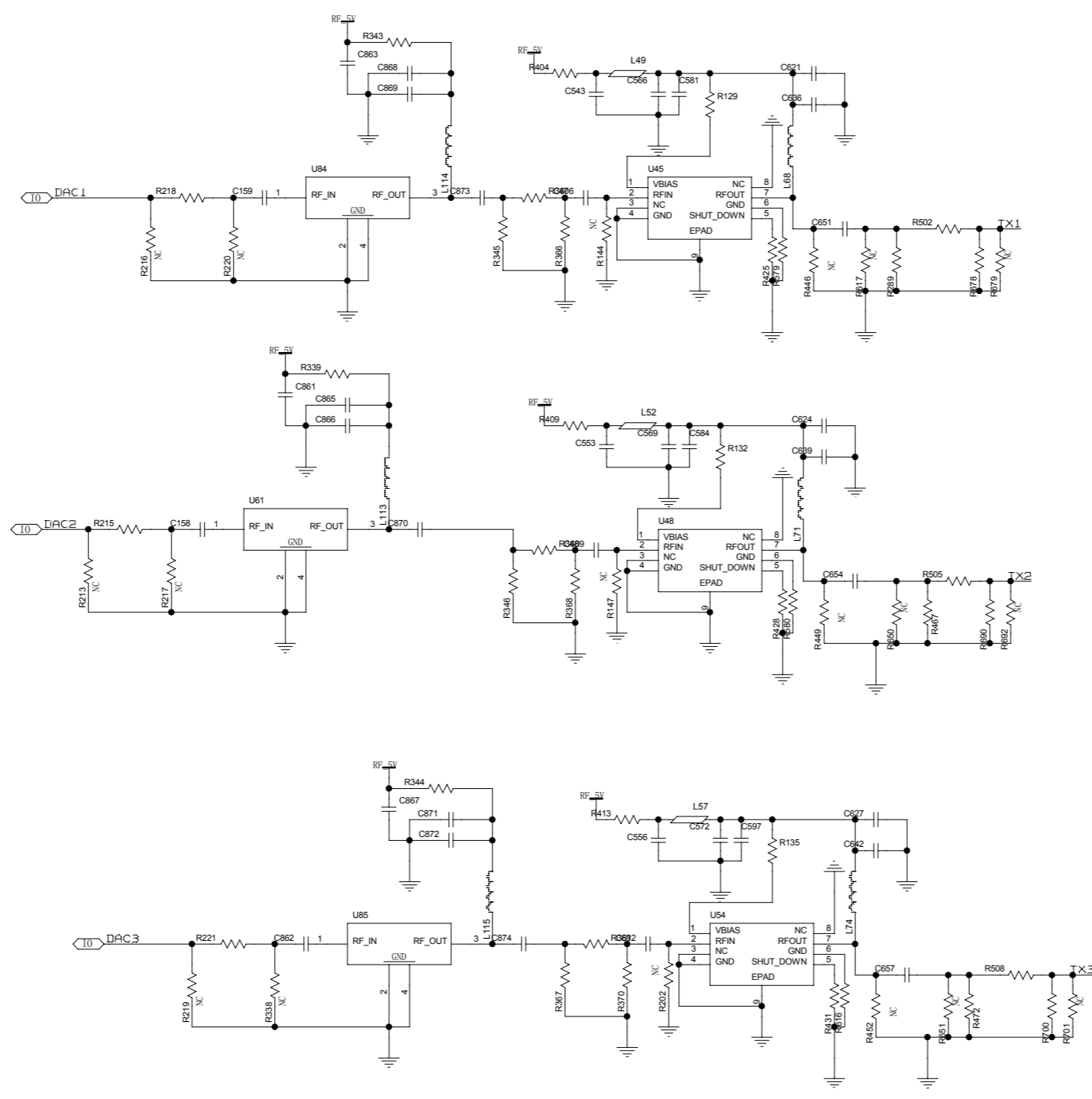
REVISIONS				
ZONE	LTR	DESCRIPTION	DATE	APPR.



- ⌋ RX5_EN
- ⌋ RX6_EN
- ⌋ RX7_EN
- ⌋ RX8_EN
- ⌋ SW15
- ⌋ SW16
- ⌋ SW17
- ⌋ SW18
- ⌋ SW19
- ⌋ SW20

CADENCE DESIGN SYSTEMS, INC.			DRAWING TITLE	
			DRAWING NO.	
THIS DOCUMENT CONTAINS INFORMATION PROPRIETARY TO CADENCE DESIGN SYSTEMS INC (CADENCE). USE OR DISCLOSURE WITHOUT THE WRITTEN PERMISSION OF AN OFFICER OF CADENCE IS EXPRESSLY FORBIDDEN. COPYRIGHT (C) CADENCE 1988		SIZE C	REV.	SHEET OF
SCALE				

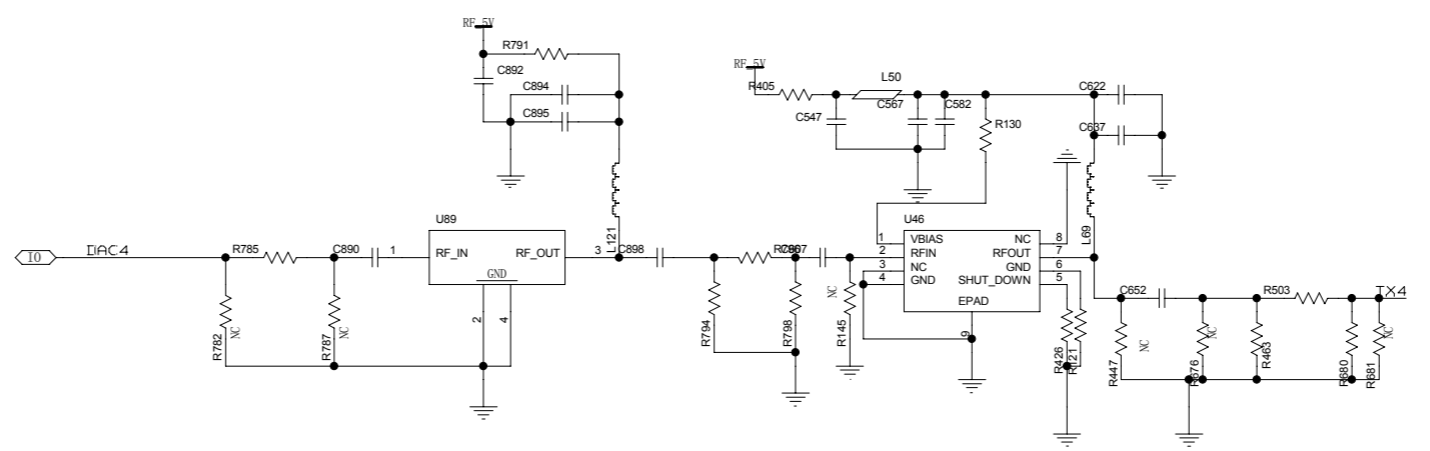
REVISIONS				
ZONE	LTR	DESCRIPTION	DATE	APPR.



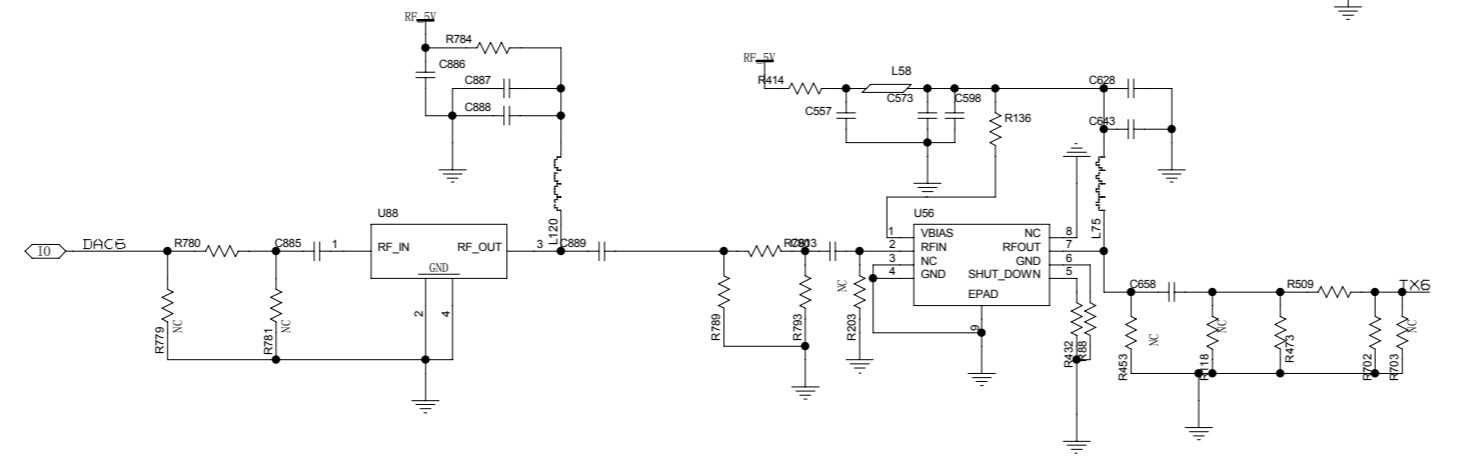
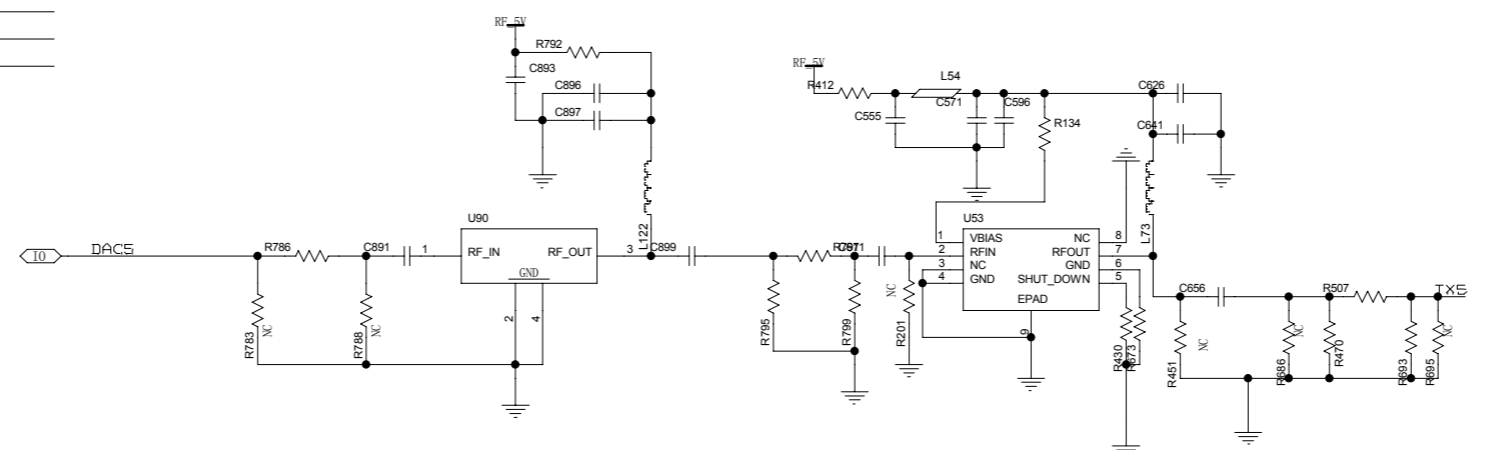
CADENCE DESIGN SYSTEMS, INC. 		DRAWING TITLE	
THIS DOCUMENT CONTAINS INFORMATION PROPRIETARY TO CADENCE DESIGN SYSTEMS INC (CADENCE). USE OR DISCLOSURE WITHOUT THE WRITTEN PERMISSION OF AN OFFICER OF CADENCE IS EXPRESSLY FORBIDDEN. COPYRIGHT (C) CADENCE 1988	SIZE C	REV.	DRAWING NO.
SCALE	SHEET		OF

REVISIONS

ZONE	LTR	DESCRIPTION	DATE	APPR.

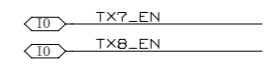
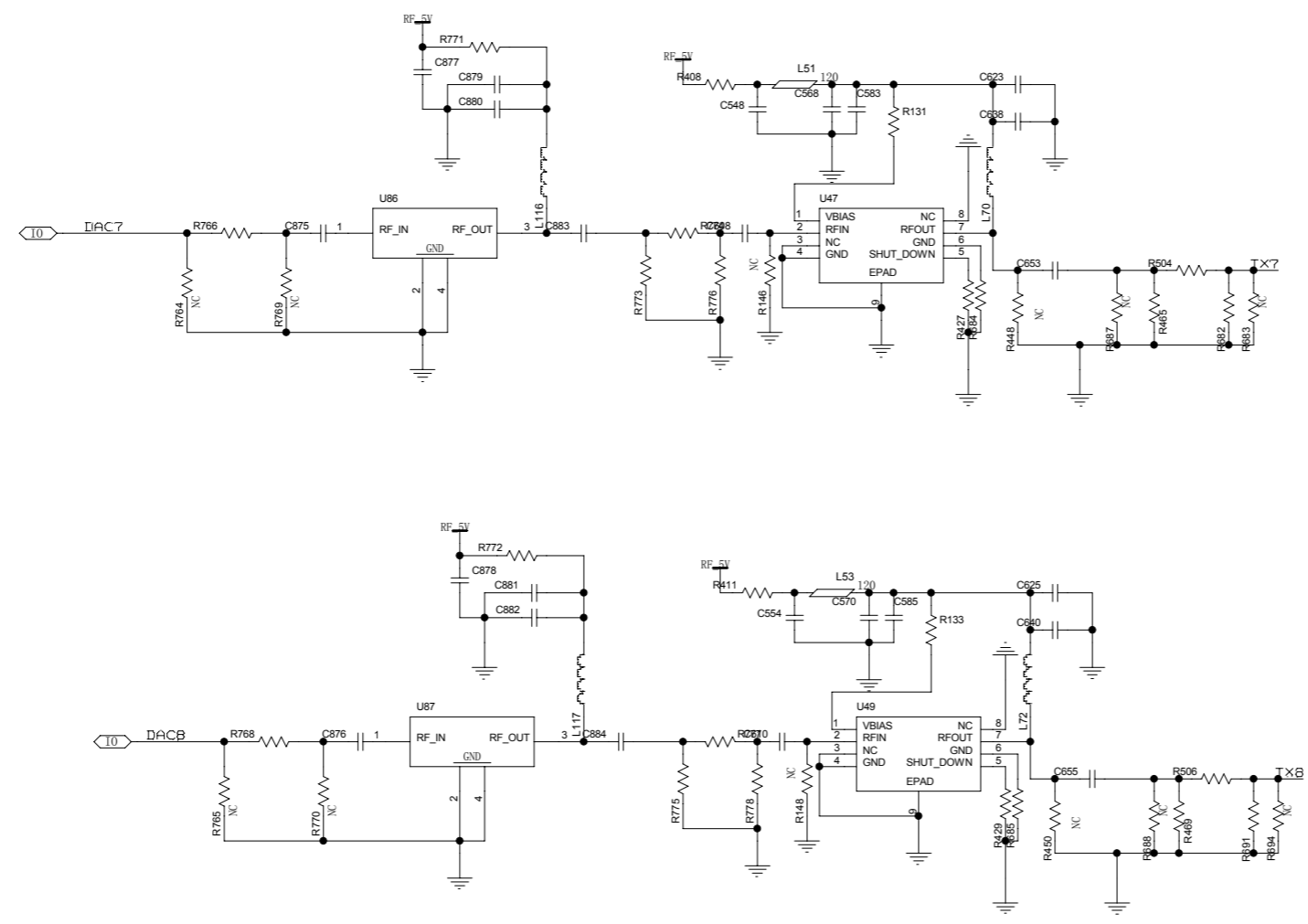


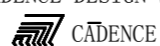
- TX4_EN
- TX5_EN
- TX6_EN



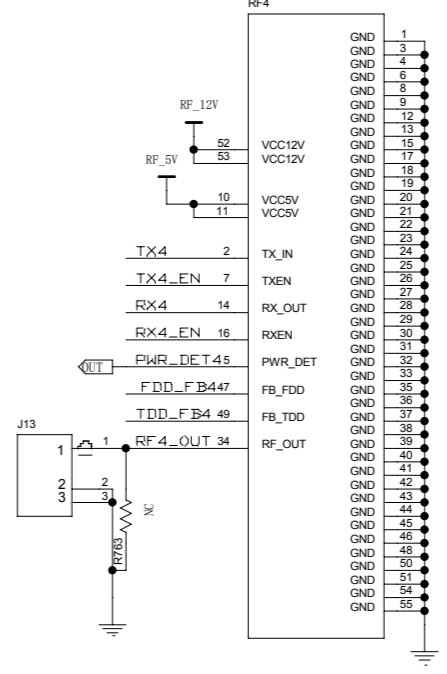
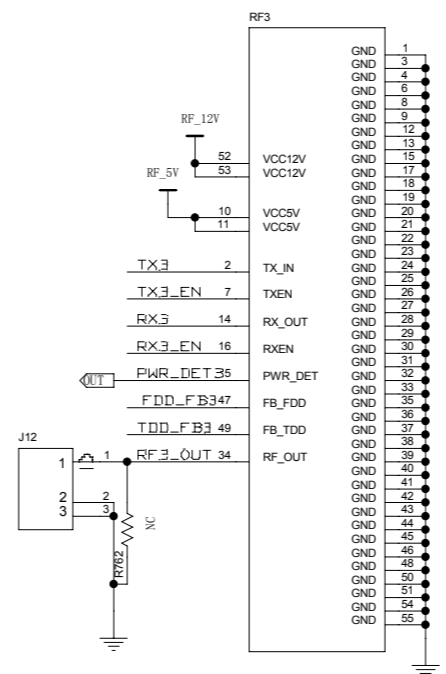
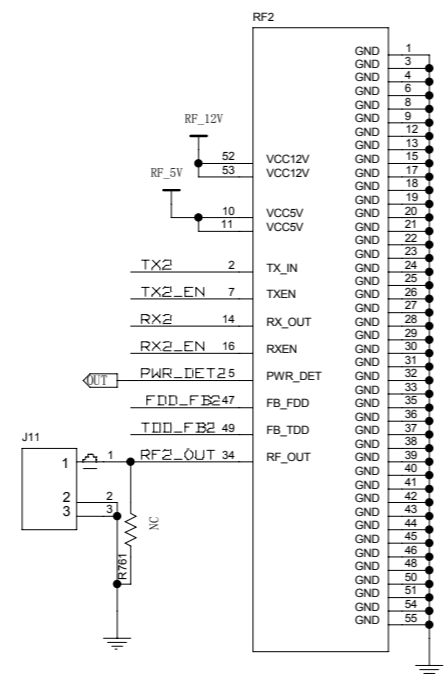
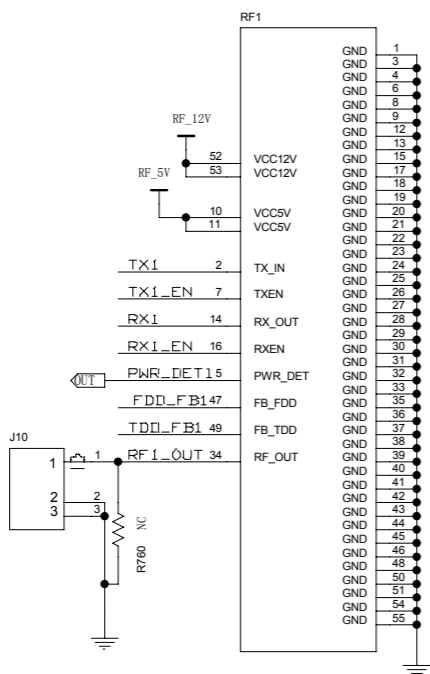
<p>CADENCE DESIGN SYSTEMS, INC.</p>		DRAWING TITLE	
		SIZE C	DRAWING NO.
<p>THIS DOCUMENT CONTAINS INFORMATION PROPRIETARY TO CADENCE DESIGN SYSTEMS INC (CADENCE). USE OR DISCLOSURE WITHOUT THE WRITTEN PERMISSION OF AN OFFICER OF CADENCE IS EXPRESSLY FORBIDDEN. COPYRIGHT (C) CADENCE 1988</p>		REV.	SHEET OF
		SCALE	

REVISIONS				
ZONE	LTR	DESCRIPTION	DATE	APPR.



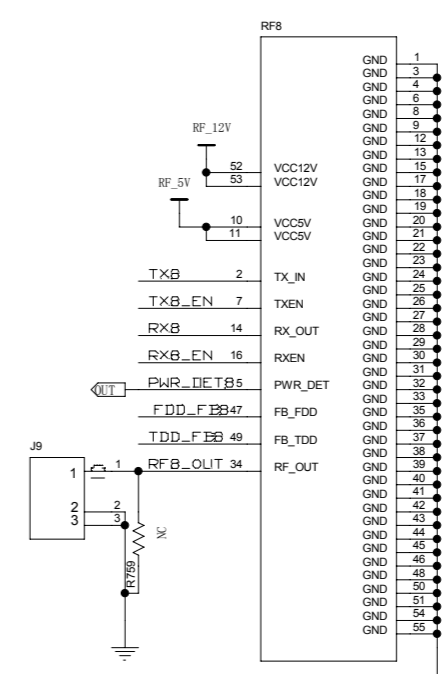
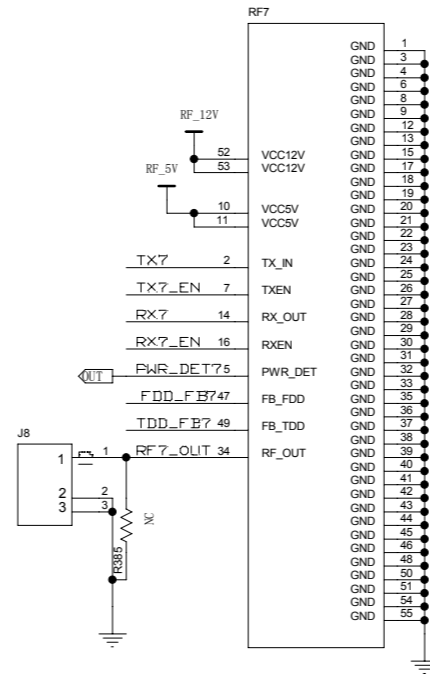
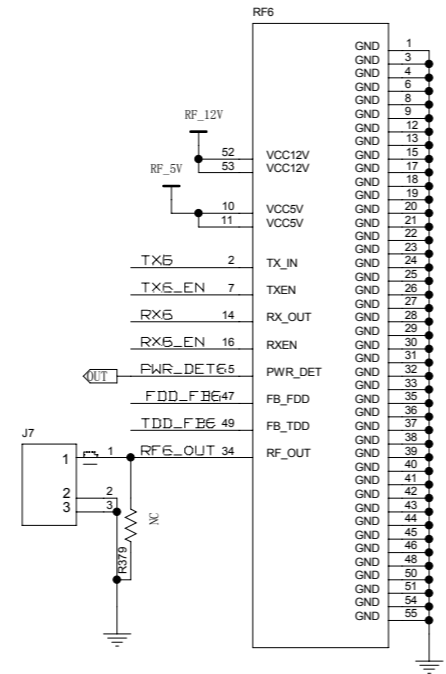
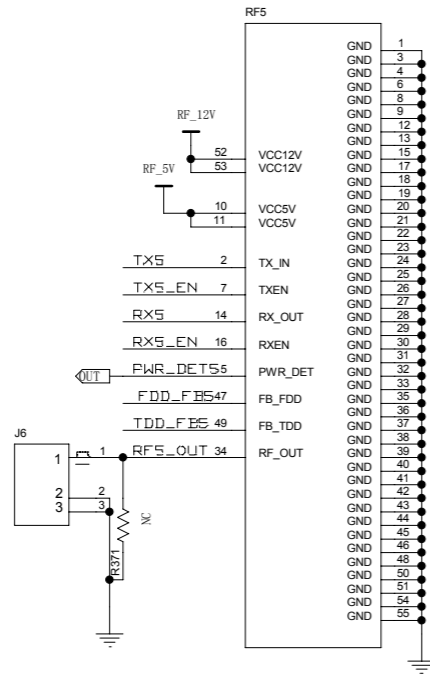
<p>CADENCE DESIGN SYSTEMS, INC.</p>  <p>CADENCE</p>		DRAWING TITLE	
		SIZE C	REV.
<p>THIS DOCUMENT CONTAINS INFORMATION PROPRIETARY TO CADENCE DESIGN SYSTEMS INC (CADENCE). USE OR DISCLOSURE WITHOUT THE WRITTEN PERMISSION OF AN OFFICER OF CADENCE IS EXPRESSLY FORBIDDEN. COPYRIGHT (C) CADENCE 1988</p>		SCALE	SHEET OF

REVISIONS				
ZONE	LTR	DESCRIPTION	DATE	APPR.



<p>CADENCE DESIGN SYSTEMS, INC.</p> <p>THIS DOCUMENT CONTAINS INFORMATION PROPRIETARY TO CADENCE DESIGN SYSTEMS INC (CADENCE). USE OR DISCLOSURE WITHOUT THE WRITTEN PERMISSION OF AN OFFICER OF CADENCE IS EXPRESSLY FORBIDDEN. COPYRIGHT (C) CADENCE 1988</p>	DRAWING TITLE	
	<p>SIZE C</p>	<p>REV.</p>
<p>SCALE</p>	<p>SHEET OF</p>	

REVISIONS				
ZONE	LTR	DESCRIPTION	DATE	APPR.



CADENCE DESIGN SYSTEMS, INC. 		DRAWING TITLE	
		SIZE C	REV.
THIS DOCUMENT CONTAINS INFORMATION PROPRIETARY TO CADENCE DESIGN SYSTEMS INC (CADENCE). USE OR DISCLOSURE WITHOUT THE WRITTEN PERMISSION OF AN OFFICER OF CADENCE IS EXPRESSLY FORBIDDEN. COPYRIGHT (C) CADENCE 1988		SCALE	SHEET OF