

Label Design

V0629

dMRU-G2-678

dMRU-G2-678

Package label

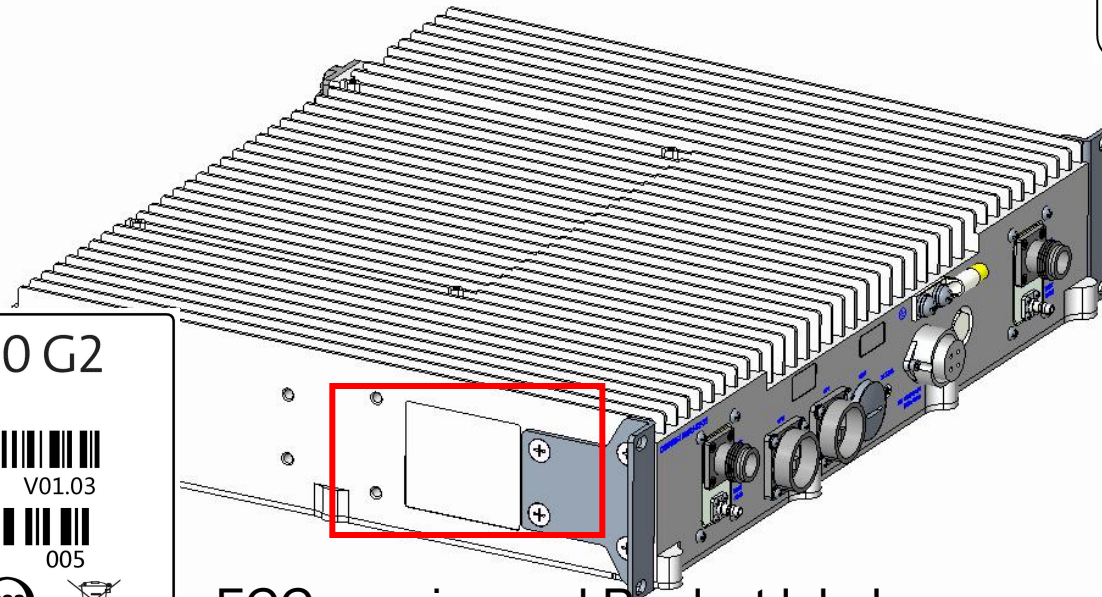
CORNING | Everon™ 6000 G2
dMRU-G2-678

P/N: dMRU-G2-678 REL: V01.03

S/N: 072327F0CB REV: 005

AC-Power 100-240 V, Max 2A, 50Hz/60Hz

Made in China June-2023



CORNING | Everon™ 6000 G2

dMRU-G2-678

P/N: dMRU-G2-678

REL: V01.03

S/N: 072327F0CB

REV: 005

AC-Power 100-240 V, Max 2A, 50Hz/60Hz

Made in China June-2023



This device complies with Part 15 of the FCC Rules. Operation is subject to the following two conditions:

- 1) This device may not cause harmful interference, and
- 2) This device must accept any interference received, including interference that may cause undesired operation.

FCC ID: OJFDMRUG2678

WARNING ACCORDING TO PART 20 AND PART 90

THIS IS A 90.219 CLASS B DEVICE

This is NOT a CONSUMER device. It is designed for installation by FCC LICENSEES and QUALIFIED INSTALLERS. You MUST have an FCC LICENSE or express consent of an FCC Licensee to operate this device. You MUST register Part 90 Class B signal booster (as defined in 47 CFR 90.219) online at www.fcc.gov/signal-boosters/registration.

Unauthorized use may result in a significant forfeiture penalties, including penalties in excess of \$100,000 for each continuing violation.

FCC warning and Product label