

Label Design

V0629

dMRU-G2-2325

dMRU-G2-2325

Package label

CORNING | Everon™ 6000 G2

dMRU-G2-2325



P/N: dMRU-G2-2325



REL: V01.03



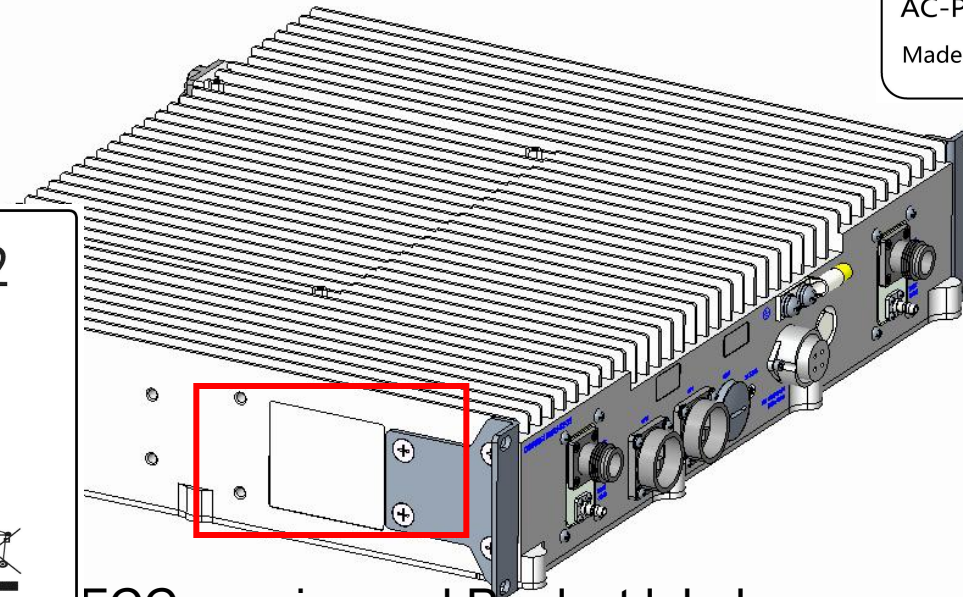
S/N: 072327F0CB



REV: 005

AC-Power 100-240 V, Max 2A, 50Hz/60Hz

Made in China June-2023



CORNING | Everon™ 6000 G2

dMRU-G2-2325



P/N: dMRU-G2-2325



REL: V01.03

S/N: 072327F0CB



REV: 005

AC-Power 100-240 V, Max 2A, 50Hz/60Hz

Made in China June-2023



This device complies with Part 15 of the FCC Rules. Operation is subject to the following two conditions:

- 1) This device may not cause harmful interference, and
- 2) This device must accept any interference received, including interference that may cause undesired operation.

FCC ID: OJFDMRUG22325

WARNING ACCORDING TO PART 20

This is NOT a CONSUMER device. It is designed for installation by FCC LICENSEES and QUALIFIED INSTALLERS. You MUST have an FCC LICENSE or express consent of an FCC Licensee to operate this device. Unauthorized use may result in a significant forfeiture penalties, including penalties in excess of \$100,000 for each continuing violation.

FCC warning and Product label