

To: SGS North America Inc.
 620 Old Peachtree Road
 SUITE 100
 Suwanee, Georgia
 United States

From: Corning Optical Communication LLC
 Address: 6 Concord Road, Shrewsbury, Massachusetts, United States

Regarding: Description of the relationship of the grantee of the remote industrial booster for new FCC ID: OJFDLRUG21719235 and original FCC ID: OJFDLRU1719235.

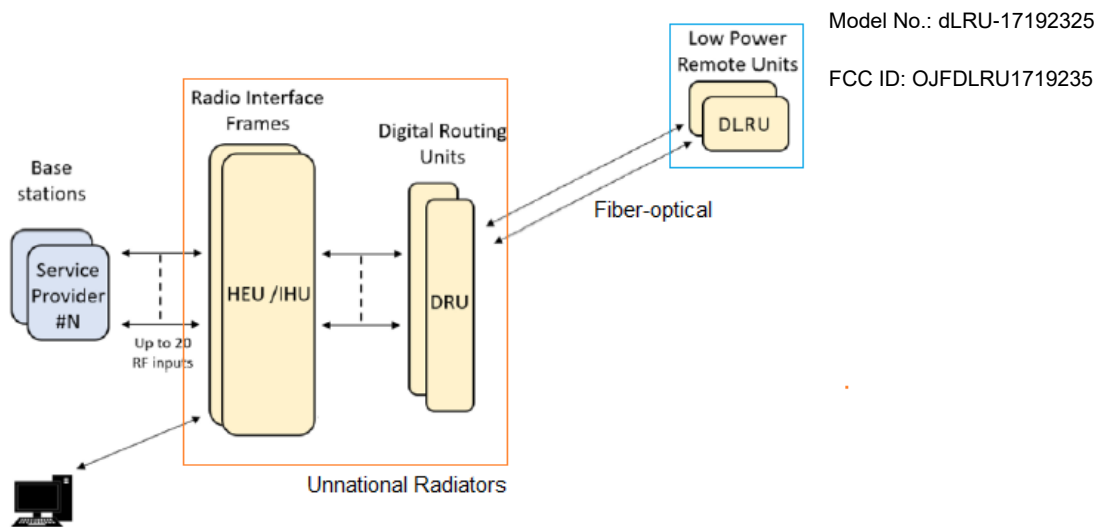
We would like to ask for referencing test data from the original FCC ID: OJFDLRU1719235 test report for the new equipment authorization application (the new grant FCC ID: OJFDLRUG21719235)

We Corning Optical Communication LLC declare that our product:

Product name: Low Band dRAU			
	Model number:	FCC ID number	Difference
Original	dLRU-17192325	OJFDLRU1719235	circuitry design, PCB layout, electrical components used, internal wiring and functions are identical with only difference on the model number.
New	dLRU-G2-17192325	OJFDLRUG21719235	

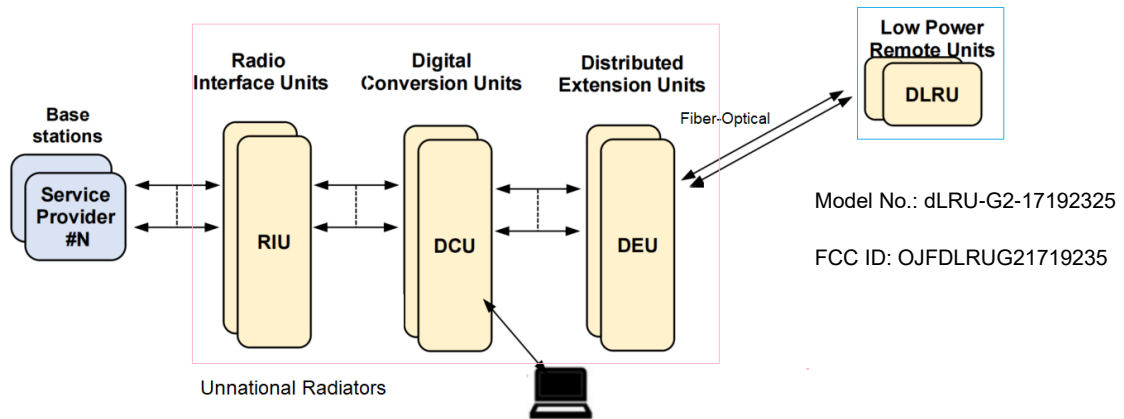
Since the certified product Low Band dRAU is a remote unit which as a component of a Distributed Antenna System. The product supports configured as following two setups and has defined two different model numbers & FCC ID numbers in the set up.

Set up option 1:



The matched units HEU/IHU/DRU are unintentional radiators, the fiber used to connect dLRU and DRU.

Set up option 2:



The matched units RIU/DCU/DEU are unintentional radiators, the fiber used to connect dLRU, DCU and DEU.

Sincerely,

Name (Printed): Jyotin Basur

Title: Senior Director, Product Line Management

Signature: 

On behalf of company: Corning Optical Communication LLC

Date: 2023-4-14