

To: SGS North America Inc.  
 620 Old Peachtree Road  
 SUITE 100  
 Suwanee, Georgia  
 United States

From: Corning Optical Communication LLC  
 840 N McCarthy Blvd ,  
 Milpitas, California, 95035,  
 United States

For following FCC IDs:  
 FCC ID: OJFDHRU-G2-6  
 FCC ID: OJFDHRU-G2-7  
 FCC ID: OJFDHRU-G2-85  
 FCC ID: OJFDHRU-G2-19  
 FCC ID: OJFDHRU-G2-17  
 FCC ID: OJFDHRU-G2-23

We Corning Optical Communication LLC declared bellows:

- Our below products with name : Digital High power remote unit (dHRU), The dHRU is a high-power modular remote antenna unit (Industrial booster) as a component of a Distributed Antenna System.

below six certified industrial signal boosters:

Product	Model No.	FCC ID	Equipment Class	Operation Band	Rule Part
1	dHRU-dHPAM-6	OJFDHRU-DHPAM-6	B2I	600MHz	Part 2, Part 20 Part 27
2	dHRU-dHPAM-7	OJFDHRU-DHPAM-7	B2I	Lower 700MHz Upper 700MHz FirstNet	Part 2, Part 20 Part 27, Part 90
3	dHRU-dHPAM-85	OJFDHRU-DHPAM-85	B2I	ESMR Cellular	Part 2, Part 20 Part 22, Part 90
4	dHRU-dHPAM-19	OJFDHRU-DHPAM-19	B2I	Broadband PCS AWS-2, AWS-4	Part 2, Part 20 Part 24, Part 27
5	dHRU-dHPAM-17	OJFDHRU-DHPAM-17	B2I	AWS-1, AWS-3 AWS-4	Part 2, Part 20 Part 24, Part 27
6	dHRU-dHPAM-23	OJFDHRU-DHPAM-23	B2I	WCS	Part 2, Part 20 Part 27

- For the marketing purposes we changed the product model number information only and for new FCC IDs, (i.e. the new product and certification product is identical in hardware and software, only the model number changed.)

detailed as below:

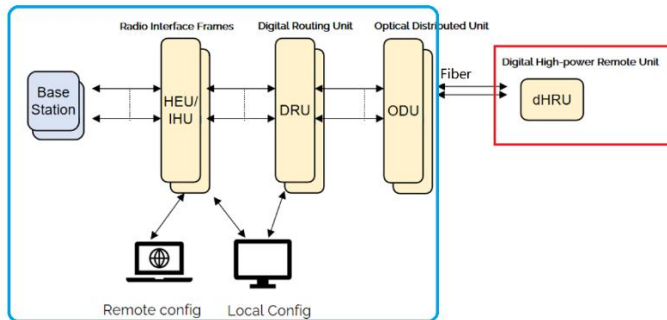
Product		Model No.	FCC ID	Changes
1	Certified product	dHRU-dHPAM-6	OJFDHRU-DHPAM-6	Only Model number different
	New product	dHRU-G2-6	OJFDHRU-G2-6	
2	Certified product	dHRU-dHPAM-7	OJFDHRU-DHPAM-7	Only Model number different
	New product	dHRU-G2-7	OJFDHRU-G2-7	

Corning Optical Communication LLC

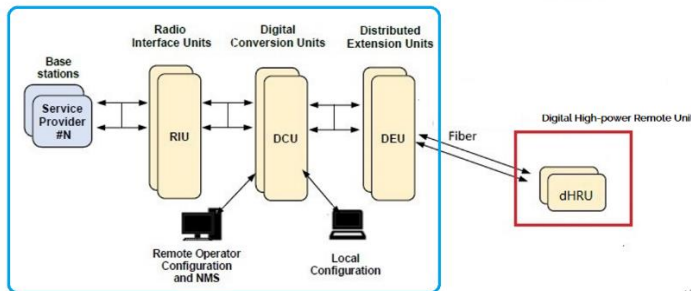
3	Certified product	dHRU-dHPAM-85	OJFDHRU-DHPAM-85	Only Model number different
	New product	dHRU-G2-85	OJFDHRU-G2-85	
4	Certified product	dHRU-dHPAM-19	OJFDHRU-DHPAM-19	Only Model number different
	New product	dHRU-G2-19	OJFDHRU-G2-19	
5	Certified product	dHRU-dHPAM-17	OJFDHRU-DHPAM-17	Only Model number different
	New product	dHRU-G2-17	OJFDHRU-G2-17	
6	Certified product	dHRU-dHPAM-23	OJFDHRU-DHPAM-23	Only Model number different
	New product	dHRU-G2-23	OJFDHRU-G2-23	

- The reason why we need new IDs for product without modification. Generally, the product only changed the product model number, new FCC ID is not required and C1PC is OK. But we intend to sales the product to a new buyer, they hope the product will have different FCC ID numbers and different product model numbers compared with the original product. On the other hand, the certified product is remote unit, and it is only a part of the DAS (distributed antenna system), you can see the remote unit named as dHRU in the configuration setup below. dHRU connected to ODU in configuration 1 and to DEU in configuration 2 by fiber cable for digital data transmission only. Currently, the applicant Corning Optical Communication LLC provide two different optional DAS configuration setups for end user. The different configurations doesn't impact the FCC ID compliance test of dHRU, because only the dHRU is intentional radiator in the DAS, the other sub-units are digital unintentional radiators. We intend to use two different ID numbers and model numbers for match the two different configurations for different buyer.

**Configuration setup 1**



**Configuration setup 2**

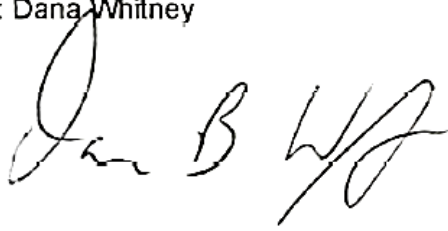


Sincerely,

Name *(Printed)*: Dana Whitney

Title: Director of Operations and Program

**Signature:**

A handwritten signature in black ink, appearing to read "Dana Whitney". The signature is written in a cursive style with a large initial "D" and "W".

On behalf of Company: Corning Optical Communication LLC