

The logo consists of a solid blue square with the word "CORNING" written in white, uppercase, serif font centered within it.

CORNING

[Everon™ 6000 G2 Build12](#)

---

User Manual

## Preface Material

### About this Manual

This manual describes how to install, use, configure and manage the Corning® Everon™ 6000 G2 platform. It includes a description of the first and ongoing end-to-end configuration, management, and maintenance of the system.

### Intended Users and Scope

This manual is applicable to Corning system installation personnel, technicians, and users. It is assumed that the user is familiar with the system and its units and understands the basic functionality of the system.

### Contacting Technical Support Help Desk

Corning technical support contact information:

**Email:** [onesupport@corning.com](mailto:onesupport@corning.com)

**Tel:** +(1) 833 4CORNING (833-426-7646)

### Legal Notice

#### Copyright

#### Disclaimer

#### Conventions

Important information is highlighted in a frame as follows:



---

*Warning: Actions requiring special attention to avoid serious physical injury; for example, pay attention when working with high voltage components.*

---



---

*Caution: Actions requiring special attention to avoid possible damage to device.*

---



---

*Note: Tips and suggestions for efficient work*

---

## Warranties

### **Hardware Warranty**

Corning Optical Communications, LLC (“Corning”) warrants to the original purchaser (“Customer”) that for a period of one (1) year from the date of shipment of the Hardware, unless otherwise agreed in writing by Corning (the “Hardware Warranty Period”), the Hardware furnished by Corning shall conform in all material respects with, and perform the functions set forth in, the Specifications, as defined below (the “Hardware Warranty”). If notified by Customer of any nonconformity with applicable portions of the Specifications within the Hardware Warranty Period, Corning shall promptly, at its own election and expense, repair or replace the affected Hardware with a product having equivalent functionality as such nonconforming Hardware under the terms of this Hardware Warranty. Such repair or replacement shall be Customer’s sole remedy and Corning’s sole obligation in the event this Hardware Warranty is invoked. If the Hardware or any components comprising a part of the Hardware are replaced or repaired during the Hardware Warranty Period, the Hardware Warranty Period for such repaired or replaced Hardware shall extend to the longer of (i) the balance of the Hardware Warranty Period or (ii) three (3) months from the date of repair or replacement. For purposes of this Warranty, “Specifications” shall mean the specifications and performance standards of the Hardware as set forth in documents formally published by Corning and delivered to Customer which contain technical specifications for the Hardware. If Customer invokes this Hardware Warranty, it shall notify Corning promptly of the claimed defect. Customer will allow Corning to inspect the Hardware at Customer’s location or shall return the Hardware to Corning’s closest repair facility, at Corning’s option. For Hardware returned to Corning’s repair facility, Customer shall be responsible for payment of all transportation and freight costs (including insurance) to Corning’s repair facility, and Corning shall be responsible for all transportation and freight costs (including insurance) incurred in connection with the shipment of such Hardware to other repair facilities of Corning and/or its return to Customer. FOB point shall be the point of origin in either case. Notwithstanding the foregoing, in no event will Corning be liable for damage to Products resulting from improper handling during or after shipment, misuse, neglect, improper installation, operation or repair (other than by authorized Corning personnel), alteration, accident, or for any other cause not attributable to nonconformance to the Specifications on the part of Corning. Corning shall not reimburse or make any allowance to Customer for any labor charges incurred by Customer for replacement or repair of any goods unless such charges are authorized in advance in writing by Corning.

### **Software Warranty**

Corning warrants to Customer that, for a period of one (1) year from the date of shipment of the original Software, unless otherwise agreed in writing by Corning (the “Software Warranty Period”), the Software shall conform in all material respects with the Specifications (the “Software Warranty”). In the event the Software is proven to fail to conform to the Specification during the Software Warranty Period, Corning shall correct such failure and ensure that the Software conforms with the Specifications. Customer will allow Corning to inspect the operation of the Software at Customer’s location or will provide remote access for Corning staff. Notwithstanding the foregoing, Corning shall have no obligation under the Software Warranty if the Software is modified or used with hardware or software not supplied or approved by Corning or if the Software is subject to, improper installation, application, or operation. Third-party software distributed with the Software may carry certain warranties which, to the maximum extent allowed by law, Corning hereby assigns, transfers, and otherwise conveys to Customer, provided, however, that Corning itself provides no warranty of any kind, express, implied, statutory or otherwise, for any third-party software provided hereunder. Corning does not warrant any hardware, software or services not provided by Corning.

THIS WARRANTY IS THE ONLY WARRANTY MADE BY CORNING AND IS IN LIEU OF ALL OTHER WARRANTIES, EXPRESS OR IMPLIED INCLUDING, BUT NOT LIMITED TO, THE IMPLIED WARRANTIES OF MERCHANTABILITY OR FITNESS FOR A PARTICULAR PURPOSE, QUIET ENJOYMENT, THE OPERATION OF THE HARDWARE OR SOFTWARE WILL BE UNINTERRUPTED OR ERROR FREE, NONINFRINGEMENT OR ANY EXPRESS OR IMPLIED WARRANTY ARISING OUT OF TRADE USAGE OR OUT OF COURSE OF DEALING OR COURSE OF PERFORMANCE. CORNING SHALL NOT BE LIABLE FOR ANY OTHER DAMAGE INCLUDING, BUT NOT LIMITED TO, INDIRECT, SPECIAL OR CONSEQUENTIAL DAMAGES ARISING OUT OF OR IN CONNECTION WITH FURNISHING OF HARDWARE, SOFTWARE, PARTS, AND SERVICE HEREUNDER, OR

THE PERFORMANCE, USE OF, OR INABILITY TO USE THE HARDWARE, SOFTWARE, PARTS AND SERVICE. CORNING SALES AGENTS OR REPRESENTATIVES ARE NOT AUTHORIZED TO MAKE COMMITMENTS ON WARRANTY RETURNS

## **Returns**

In the event it is necessary to return any Hardware for a warranty claim, the following procedure shall be followed:

1. Customer must receive a return authorization from Corning prior to returning any Hardware unit. Customer shall advise Corning of the model, serial number, original ship date, and claimed discrepancy. Hardware may then be forwarded to Corning, transportation prepaid. Any Hardware returned collect or without authorization may not be accepted. Returned Hardware must be packaged to protect it against physical or ESD (static) damage, using original packaging whenever possible. Damage incurred during return shipping is not covered by warranty.
2. Prior to repair, Corning will advise Customer of the any test results. If the issue with the Hardware is covered by the warranty, Corning shall either repair or replace the Hardware. Corning may use refurbished Hardware to satisfy a warranty claim. Repaired Hardware is warranted for the longer of (i) the balance of the Hardware Warranty Period or (ii) three (3) months from the date of repair or replacement.
3. If Corning determines that the Hardware is meeting the Specification (no fault found), Corning shall so notify Customer and shall return the Hardware to Customer at Customer's expense.
4. If Corning determines that the problem with the Hardware is as a result of a Customer-caused problem or out-of-warranty condition, Corning shall so notify Customer. If Corning provides out of warranty repair, Corning shall advise Customer of the charges to repair or replace the Hardware. Should Customer decline out-of-warranty repairs, Customer may opt to have Corning scrap the materials via an accredited recycling vendor at Customer's expense or Corning shall return the Hardware to Customer at Customer's expense

## **Reporting Defects**

The units were inspected before shipment and found to be free of mechanical and electrical defects. Examine the units for any damage that may have been caused in transit. If damage is discovered, file a claim with the freight carrier immediately. Notify Corning as soon as possible in writing.

Note: Keep all packing material until you have completed the inspection.

## **Warnings and Admonishments**

There may be situations, particularly for workplace environments near high-powered RF sources, where recommended limits for safe exposure of human beings to RF energy could be exceeded. In such cases, restrictive measures or actions may be necessary to ensure the safe use of RF energy.

The device has been designed and constructed to prevent, as far as reasonably, practicable danger. Any work activity on or near device involving installation, operation or maintenance must be, as far as reasonably, free from danger.

Where there is a risk of damage to electrical systems involving adverse weather, extreme temperatures, wet, corrosive or dirty conditions, flammable or explosive atmospheres, the system must be suitably installed to prevent danger.

Device provided for the purpose of protecting individuals from electrical risk must be suitable for the purpose and properly maintained and used. This covers a range of activities including lifting, lowering, pushing, pulling, carrying, moving, holding or restraining an object, animal or person from the equipment. It also covers activities that require the use of force or effort, such as pulling a lever, or operating power tools.

Where some of the abovementioned activities are required, the device must be handled with care to avoid being damaged.

Observe standard precautions for handling ESD-sensitive devices. Assume that all solid-state electronic devices are ESD-sensitive. Ensure the use of a grounded wrist strap or equivalent while working with ESD-sensitive devices. Transport, store, and handle ESD-sensitive devices in static-safe environments.

## RF Safety

To comply with FCC RF exposure compliance requirement, adhere to the following warnings:

**Warning!** Antennas used for this product must be fixed mounted on indoor permanent structures, providing a separation distance of at least 230 and above cm from all persons during normal operation.

**Warning!** Each individual antenna used for this transmitter must be installed to provide a minimum separation distance of 230 cm or more from all persons and must not be co-located with any other antenna for meeting RF exposure requirements.

**Warning!** The design of the antenna installation needs to be implemented in such a way to ensure RF radiation safety levels and non-environmental pollution during operation.

Compliance with RF Safety Requirements:

**CAUTION!** Use of controls, adjustments, or performance of procedures other than those specified herein may result in hazardous radiation exposure.

Power Requirements for DC Inputs

**Warning!** Only use a special DC supply cable with connector

**Warning!** Always keep DC IN connectors connected during the product operation

**Warning!** Disconnect all power from the device by means of an external circuit breaker before connecting or disconnecting the DC IN connectors.

Frequency Bands

Frequency Range Name	Uplink	Downlink	Technology
600-band 71	663-698 MHz	617-652 MHz	FDD
700L (Lower Band)- band 12	698-716 MHz	728-746 MHz	FDD
700U (Upper Band)-band 13	776-787 MHz	746-757 MHz	FDD
FirstNet (700)-band 14	788-798 MHz	758-768 MHz	FDD
800/850	817-849 MHz	862-894 MHz	FDD
1900 (PCS)-band 25	1850-1915 MHz	1930-2020 MHz	FDD
1900- band 2	1850-1910 MHz	1930-1990 MHz	FDD
EAWS-band 66	1695-1780 MHz	2110-2200 MHz	FDD
AWS- band 4	1710-1755 MHz	2110-2155 MHz	FDD
WCS-band 30	2305-2315 MHz	2350-2360 MHz	FDD
2500-band 41	2496-2690 MHz		TDD
3500-band 78	3450-3550 MHz		TDD
3700-band 77	3700-3980 MHz		TDD

**WARNING!** This is NOT a CONSUMER device. It is designed for installation by FCC LICENSEES and QUALIFIED INSTALLERS. You MUST have an FCC LICENSE or express consent of an FCC Licensee to operate this device. Unauthorized use may result in significant forfeiture penalties, including penalties in excess of \$100,000 for each continuing violation.

**Note:** The grantee is not responsible for any changes or modifications not expressly approved by the party responsible for compliance. Such modifications could void the user's authority to operate the equipment.

**Warning :** this device is license operation and not support home/personal use.

**Caution message:** The device is restricted use of unauthorized antennas, cables, and/or coupling devices which may cause device not conforming with ERP/EIRP limit and rf exposure requirement.

**Warning!** Antenna gain should not exceed 5dBi.

**Compliance with RF Safety Requirements:**

**Warning!** Only use provided AC/DC supply cable with connector

**Warning!** Always keep AC/DC IN connectors connected during the product operation

### Licensee Contact Information

Industrial Boosters may only be used by FCC licenses or those given express (individualized) consent of license.

Corning Optical Communications Wireless certifies all the VARs listed as licensed installers for Corning. For the list of licensed VARs, please contact the Technical Support Team at:

Email: [ONESupport@corning.com](mailto:ONESupport@corning.com) or Phone: + (1) 833 4-CORNING (833-426-7646)

# Contents

<b>1.</b>	<b>Introduction .....</b>	<b>9</b>
1.1	Key Features and Capabilities .....	9
1.2	Terminology, Acronyms, and Abbreviations .....	10
1.3	Corning® Everon™ 6000 G2 Architecture Overview .....	12
1.4	Internal Sub-units .....	12
1.4.1	RIU .....	12
1.4.2	DCU .....	17
1.4.3	DEU .....	21
1.4.4	Remote Units .....	25
1.4.5	System topology and gain assignment .....	32
<b>2.</b>	<b>System Installation .....</b>	<b>35</b>
2.1	Headend Units – Architecture Example .....	36
2.2	RIU Installation .....	37
2.2.1	Verify Box Contents .....	37
2.2.2	Mount the RIU .....	38
2.2.3	RIU Cable Connection .....	40
2.3	DCU Installation .....	41
2.3.1	Verify Box Contents .....	41
2.3.2	Mount the DCU .....	43
2.3.3	DCU Cable Connection .....	44
2.4	DEU Installation .....	44
2.4.1	Verify Box Contents .....	45
2.4.2	Mount the DEU .....	46
2.4.3	DEU Cable Connection .....	47
2.5	dLRU Installation .....	48
2.5.1	Verify box Contents .....	48
2.5.2	Mount the dLRU .....	54
2.5.3	Power+ SPF+ Cable .....	65
2.5.4	Connect the Ground and Antenna Cables .....	67
2.5.5	Combiner cables .....	69
2.5.6	Verify normal operation .....	70
2.6	dMRU Installation .....	71
2.6.1	Verify box Contents .....	71
2.6.2	dMRU Dimensions .....	73
2.6.3	dMRU Interfaces .....	75
2.6.4	Cables Connection .....	75

2.6.5	Power .....	76
2.6.6	SFP+ Cables .....	76
2.6.7	Fan module (optional) .....	77
2.6.8	Mount the dMRU .....	78
2.6.9	Wall mounted installation .....	78
2.6.10	Connect the rest of the Cables .....	80
2.6.11	Ground .....	80
2.6.12	Antenna .....	81
2.6.13	Verify normal operation .....	81
<b>2.7</b>	<b>dHRU FDD Installation .....</b>	<b>82</b>
2.7.1	Verify box Contents .....	82
2.7.2	dHRU Dimensions .....	84
2.7.3	dHRU FDD Interfaces .....	86
2.7.4	Cables Connection .....	87
2.7.5	Power .....	87
2.7.6	SFP+ Cables .....	87
2.7.7	Wall mounted installation .....	88
2.7.8	Connect the rest of the Cables .....	90
2.7.9	Ground .....	90
2.7.10	Antenna .....	91
2.7.11	Verify normal operation .....	91
<b>2.8</b>	<b>dHRU TDD Installation .....</b>	<b>92</b>
2.8.1	Verify box contents .....	92
2.8.2	dHRU TDD Dimensions .....	94
2.8.3	dHRU TDD Interfaces .....	95
2.8.4	Cables Connection .....	96
2.8.5	Power .....	96
2.8.6	Wall mounted installation .....	98
2.8.7	Pole installation .....	100
2.8.8	Ground .....	101
2.8.9	Connect the rest of the Cables .....	102
2.8.10	Antenna .....	102
2.8.11	Verify normal operation .....	102



## 1. Introduction

Corning® Everon™ 6000 G2 is an advanced cellular service solution for small, medium, and large size venues, supporting a broad range of cellular generations, including 3G, 4G, and 5G.

Everon 6000 G2 is based on venues, advanced digital transport and processing, and channelized implementation, enabling efficient utilization of digital links. It is designed to support multi-band, multi-technology, and multi-operator networks through the single fiber-based infrastructure.

Everon 6000 G2 is a high bandwidth distribution architecture that provides preparedness for future radio technologies, broader spectrum, and new frequency bands. Due to its modular design and configuration flexibility, this solution is highly scalable in terms of supported capacity (number of sectors, frequency bands, channels) and remote units (coverage), and can be easily configured to support a large variety of deployment scenarios including single and multi-building (“campus”) network topologies.

This solution offers multiple types of digital remote units, supporting a variety of frequency band combinations, with different power levels ranging from 20 dBm per band to 43dBm per band. Advanced network configuration and management capabilities enable on-site and remote end-to-end configuration, system diagnostics, maintenance, and support network operations central (NOC) connectivity.

### 1.1 Key Features and Capabilities





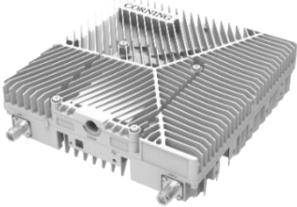



- **Comprehensive service support** - 600 MHz, 700 MHz, FirstNet, 800/850 MHz, 1900 MHz (PCS), 2100 MHz (EAWS), 2300 MHz (WCS), 2500 MHz (TDD), 3500 MHz (TDD). Supports MIMO services, FDD and TDD. Supports 3G, 4G, and 5G technologies.
- **Multi-X system** - Supports multi-operator, multi-band, multi-technology services through a single infrastructure. Supports single and multi-building (“campus”) network solutions.
- **Highly modular/highly scalable** - Can be easily expanded to support additional capacity sectors, frequency bands, channels, and coverage areas, by increasing the number of remotes.
- **Advanced digital signal processing** - Provides higher dynamic range, enables per-channel granularity, delivers enhanced overall power efficiency, and improves overall system performance.
- **Digital CPRI-based transport** - Provides robust signal distribution with flexible scalability.
- **Digital Service and capacity routing** - Enables advanced capacity and coverage management through flexible routing configuration management.
- **Carrier-grade network management** - Network configuration and management capabilities enable on-site and remote end-to-end configuration, system diagnostics, maintenance, support management and control by network management system.

## 1.2 Terminology, Acronyms, and Abbreviations

### Terminology/Acronyms/Abbreviations

Abbreviation	Full Name
RIU	Radio Interface Unit
DCU	Digital Conversion Unit
DEU	Distributed Extension Unit
dLRU	Digital Low-Power Remote Unit
dMRU	Digital Medium-Power Remote Unit
dHRU	Digital High-Power Remote Unit
NOC	Network Operation Center
SMV	Small Medium Venues
CPRI	Common Public Radio Interface
DSP	Digital Signal Processing
EARFCN	E-UTRA Absolute Radio Frequency Channel Number
EPC	Evolved Packet Core
EUTRA	Evolved Universal Terrestrial Radio Access
EUTRAN	Evolved Universal Terrestrial Radio Access Network
FPGA	Field Programmable Gate Array
GE / GigE	Gigabit Ethernet
GPS	Global Positioning System
IRFC	Integrated Radio Frequency Cluster
LTE	Long-Term Evolution
MNO	Mobile Network Operator
PLMN	Public Land Mobile Network
RF	Radio Frequency
SNMP	Simple Network Management Protocol
TCP	Transmission Control Protocol
UDP	User Datagram Protocol
UE	User Equipment
UL	Uplink
UTRAN	Universal Terrestrial Radio Access Network
UDP	User Datagram Protocol

Images

Abbreviation	Image
RIU-TDD	 <p>A rack-mountable silver device with a front panel featuring two RJ45 ports, a green Ethernet port, several status LEDs, and a series of ventilation grilles.</p>
RIU-FDD	 <p>A rack-mountable silver device with a front panel including two RJ45 ports, a green Ethernet port, several status LEDs, and a row of six circular ports.</p>
DCU	 <p>A rack-mountable silver device with a front panel featuring a power button, a fan, several status LEDs, and a row of ports.</p>
DEU	 <p>A rack-mountable silver device with a front panel featuring a green Ethernet port, a row of ports, a power button, and a fan.</p>
dLRU	 <p>A compact, silver, fanless device with a large heat sink and several ports on the front panel.</p>
dMRU	 <p>A compact, silver, fanless device with a large heat sink and several ports on the front panel.</p>
dHRU-FDD	 <p>A compact, silver, fanless device with a large heat sink and several ports on the front panel.</p>
dHRU-TDD	 <p>A compact, silver, fanless device with a large heat sink and several ports on the front panel.</p>

### 1.3 Corning® Everon™ 6000 G2 Architecture Overview

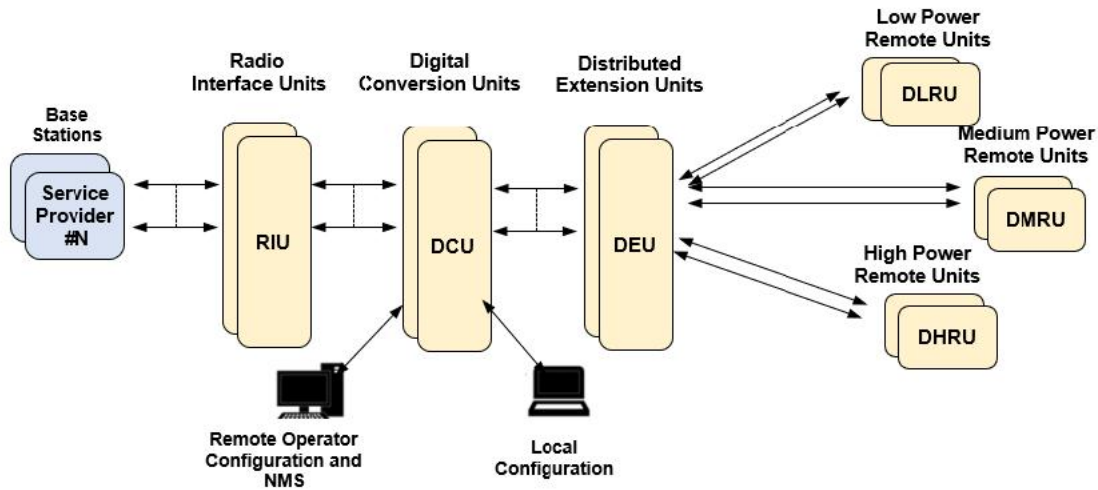


Figure 1. Architecture diagram

Everon 6000 G2 features a fully advanced digital system, which incorporates the RIU (Radio Interface Unit), DCU (Digital Conversion Unit), DEU (Distributed Extension Unit) and multiple types of remotes. All the devices in the system are managed via a web session to the DCU, which provides local and remote management capabilities for all connected system devices using both web GUI (HTTPs) and SNMP interfaces.

### 1.4 Internal Sub-units

#### 1.4.1 RIU

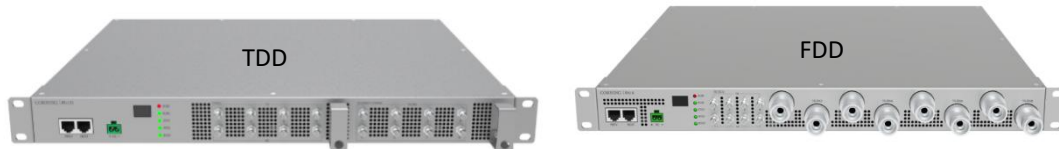


Figure 2. RIU image

The Radio Interface Unit (RIU) is a frequency band specific unit. The RIU provides an interface and signal conditioning to signals coupled between the base station RF antenna ports and the DCU. The RIU interfaces up to 8 RF duplexed ports to the base station, and up to 8 simplex ports to the Digital Conversion Unit (DCU) with the following functions:

- Signal combination: The RIU combines different base station signals into one wideband signal, the combination matrix of which is software-controllable, listed in *Figure 3* through 5.
- Downlink/Uplink attenuation: With an embedded fixed attenuator with 30dB in downlink and 40dB in uplink, the RIU bears up to 37dBm average input power (with PARP no more than 10dB).
- Gain control: In addition to the fixed attenuator, the RIU includes an internal digital attenuator controlling the gain between the input and output in the range of 0-25dB.

Device management: Remote control and monitor of RIU is available on the DCU via the 2xRJ45. connections. In the case of multiple RIU applications, the management can be achieved with a cascading topology, shown in *Figure 6*. *Figure 7*- *Figure 10* show the RIU interfaces. *Table 1* lists the interfaces' descriptions.

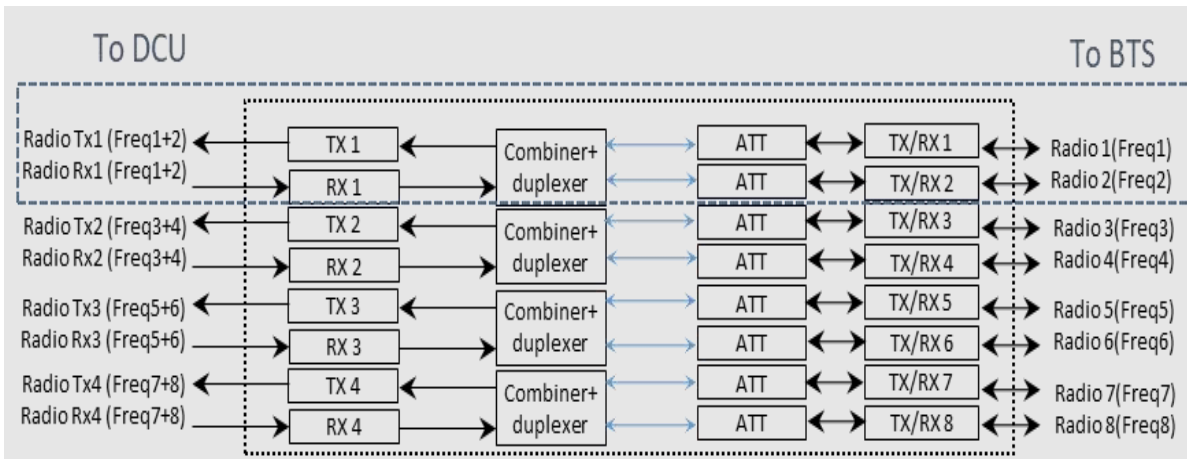


Figure 3. 2 TO 1 Matrix

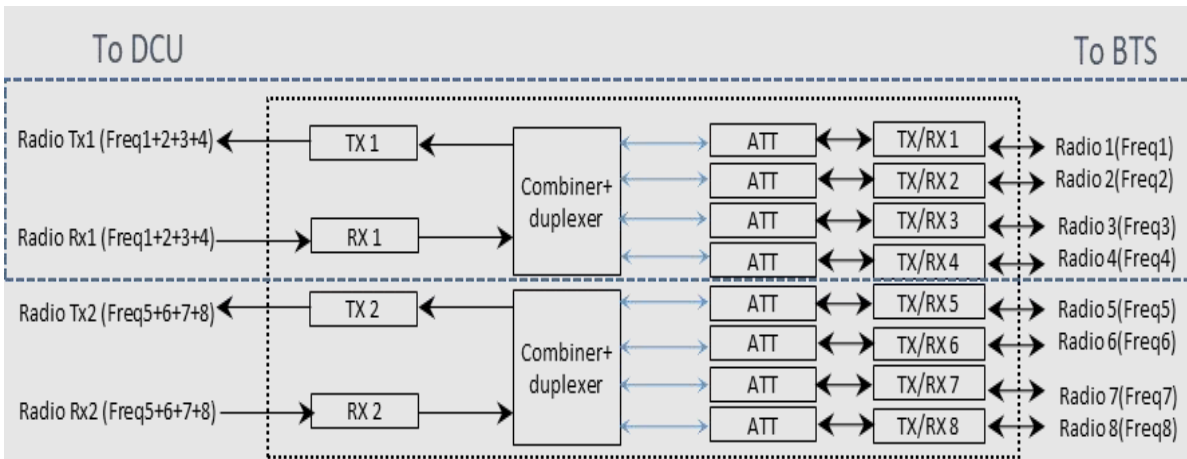


Figure 4. 4 TO 1 Matrix

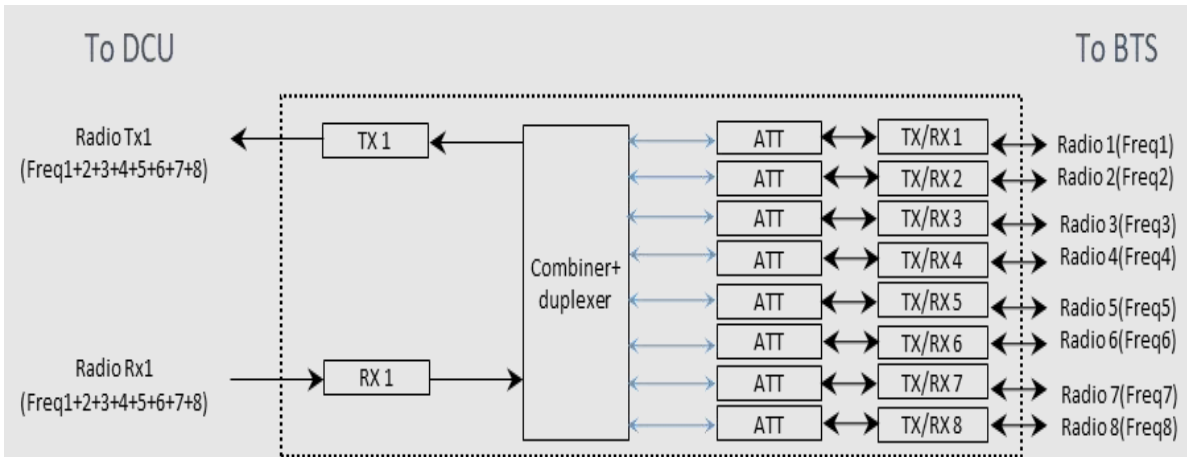


Figure 5. 8 TO 1 Matrix

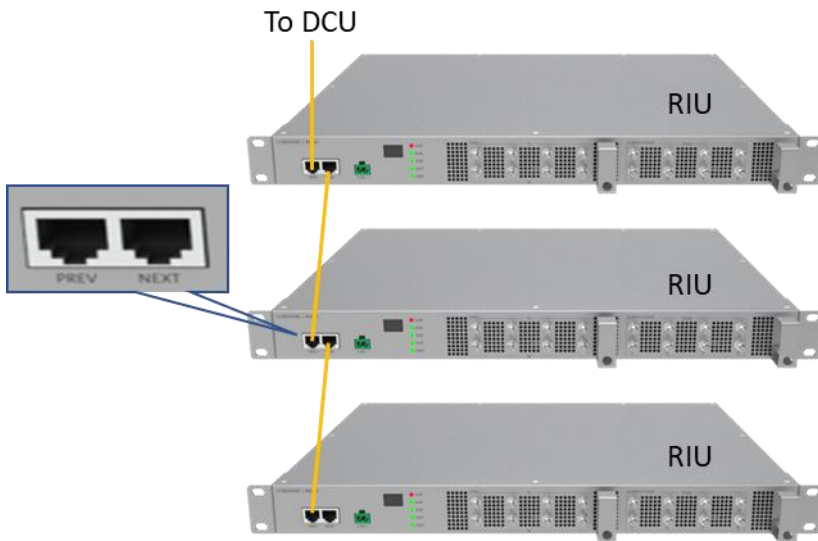


Figure 6. RIU-TDD Monitoring Diagram

Note:

1. The orange line is ethernet cable.
2. The RIU-FDD ethernet cable connection is the same as RIU-TDD.

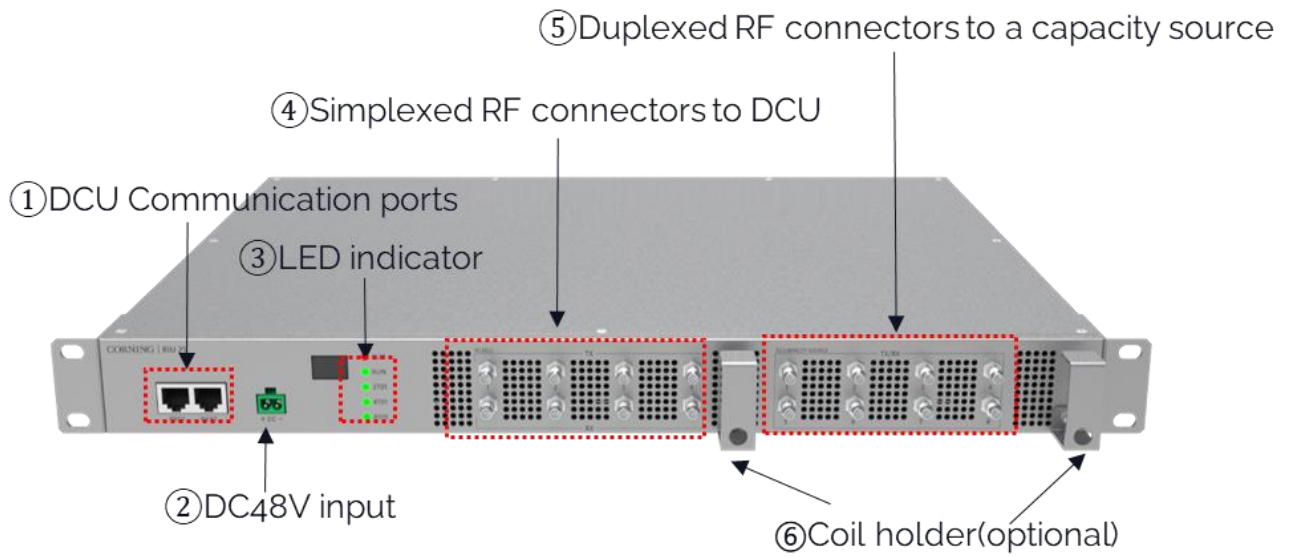


Figure 7. RIU-TDD Interface (front view)

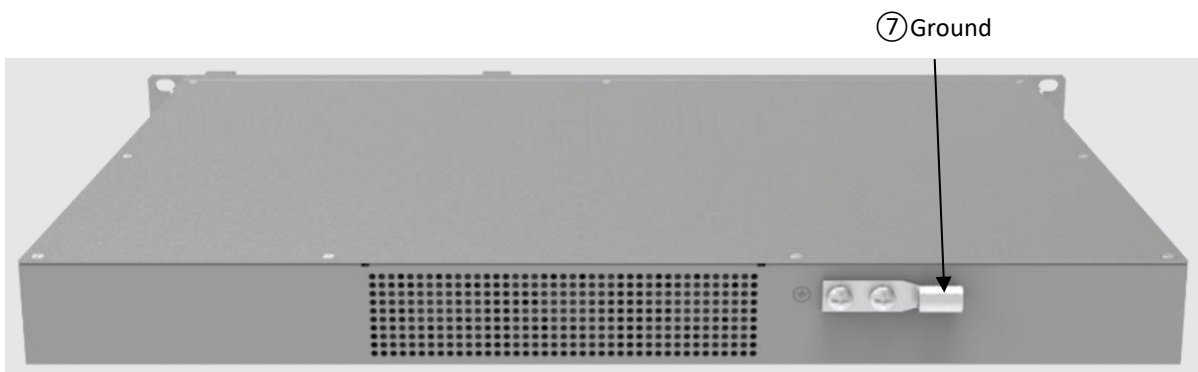


Figure 8. RIU-TDD Interface (back view)

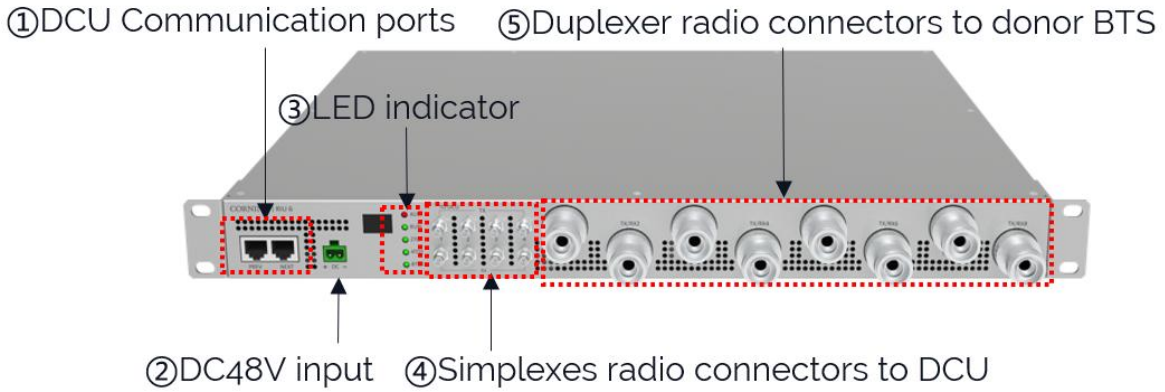


Figure 9. RIU-FDD Interface (front view)

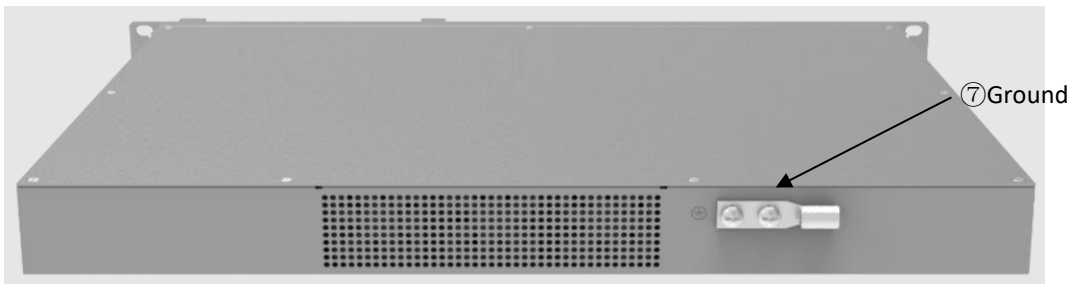


Figure 10. RIU-FDD Interface (back view)

Table 1. RIU Interfaces

SN	Interface	Interface Type	Silk Screen	Description
1	DCU communication port	RJ45 x 2	PREV NEXT	PREV: Upper cascade port to DCU or upper level RIU NEXT: Lower cascade port to other RIU
2	DC input	Phoenix connector x 1	DC_IN	48V DC
3	LED indicator	LED x 2	ALM RUN	Please check the Table 2 “RIU LED Definition” for the colour definition
4	RF connectors to DCU	QMA x 8	TX 1~4 RX 1~4	Simplex QMA interface to DCU
5	RF connectors to donor signal	4.3-10 x 8(FDD RIU) QMA x 8(TDD RIU)	TX/RX 1~8	Duplex 4.3-10/ QMA interface to BTS, small cells or other donor signals
6	Coil holder	Coil holder x 2		The holder for the cable roasting
7	GND	Two holes M4 x 2	GND	Connect to the ground

Table 2. RIU LED Definitions

LED	Description	Colour	State
ALM	Alarm	Red	Solid
	Device detection (Identified and controlled by the DCU)	Red	Flash (1Hz, 10s)
	No alarm	OFF	Off
RUN	The system is up and running	Green	Flash (1Hz)
	Software or hardware failure	OFF	Off
2TO1	Working mode: 2 TO 1	Green	Solid
	Other working modes	OFF	Off
4TO1	Working mode: 4 TO 1	Green	Solid
	Other working modes	OFF	Off
8TO1	Working mode: 8 TO 1	Green	Solid
	Other working modes	OFF	Off
LED displayer	Cascade level, displayed as "1" or "2" 1 - First cascade level 2 - Secondary cascade level A maximum of 16 devices can be cascaded	-	-



## 1.4.2 DCU



Figure 11. DCU

Digital Conversion Unit (DCU) is the Corning® Everon™ 6000 G2 central controller. The DCU interfaces between the RIU and DEU, implementing signal conversion, processing, and distribution of multiband digital signals to the Distributed Extension Unit (DEU), major functionalities of which include:

- RF signal conversion into digital signal, processing, and distribution: The DCU transfers received signals from RIU to digital signal in CPRI format. One DCU supports up to 8 RIUs of different bands with 2x2 MIMO, and configures all the radio signal features including frequency, attenuation, operation mode (TDD/FDD).
- Optical port router controlling: The DCU controls the digital signals of different DEUs at different CPRI line rates of 10Gbps or 25Gbps.

TDD synchronization: The DCU introduces a TDD signal processing module, demodulates TDD-LTE or NR RF signals, and recovers the TDD switch time in the remote units. For a fast detection and commissioning, parameters in

- Table 5 and Table 6 are needed.
- Central management of the complete system: the DCU is the main management entity of the entire system. All the device and operation information are centrally collected by the DCU, and the DCU interfaces to operators' management system through the SNMP interface.
- Flexible networking for different deployment strategies: The DCU supports daisy chain and/or star connections\* as shown in Figure 12, where distributed deployments can be enabled, e.g., remote site deployment.
- Figure 13-Figure 14 show the DCU interfaces.
- Table 5 lists the interfaces' descriptions.

**\*Note: please check the software release note for the DCU daisy chain/star connection limitations and supported version.**

Table 3. Uplink-Downlink configurations

Uplink-downlink configuration	Downlink-to-Uplink Switch-point periodicity	Subframe number									
		0	1	2	3	4	5	6	7	8	9
0	5 ms	D	S	U	U	U	D	S	U	U	U
1	5 ms	D	S	U	U	D	D	S	U	U	D
2	5 ms	D	S	U	D	D	D	S	U	D	D
3	10 ms	D	S	U	U	U	D	D	D	D	D
4	10 ms	D	S	U	U	D	D	D	D	D	D
5	10 ms	D	S	U	D	D	D	D	D	D	D
6	5 ms	D	S	U	U	U	D	S	U	U	D

Table 4. Configuration of special subframe (lengths of DwPTS/GP/UpPTS)

Special subframe configuration	Normal cyclic prefix in downlink			Extended cyclic prefix in downlink		
	DwPTS	UpPTS		DwPTS	UpPTS	
	/	Normal cyclic prefix in uplink	Extended cyclic prefix in uplink	/	Normal cyclic prefix in uplink	Extended cyclic prefix in uplink
0	$6592 \cdot T_s$			$7680 \cdot T_s$	$2192 \cdot T_s$	$2560 \cdot T_s$
1	$19760 \cdot T_s$			$20480 \cdot T_s$		
2	$21952 \cdot T_s$			$23040 \cdot T_s$		
3	$24144 \cdot T_s$			$25600 \cdot T_s$		
4	$26336 \cdot T_s$			$7680 \cdot T_s$		
5	$6592 \cdot T_s$	$4384 \cdot T_s$	$5120 \cdot T_s$	$20480 \cdot T_s$	$4384 \cdot T_s$	$5120 \cdot T_s$
6	$19760 \cdot T_s$			$23040 \cdot T_s$		
7	$21952 \cdot T_s$			-	-	-
8	$24144 \cdot T_s$			-	-	-

Special subframe configuration	Normal cyclic prefix in downlink		
	DwPTS	GP	UpPTS
0	3	10	1
1	9	4	1
2	10	3	1
3	11	2	1
4	12	1	1
5	3	9	2
6	9	3	2
7	10	2	2
8	11	1	2

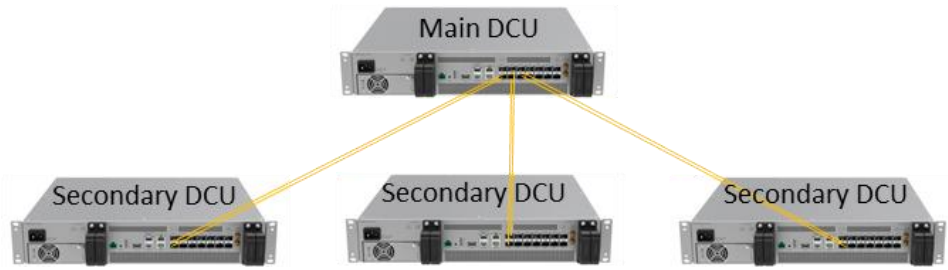


Figure 12. DCU Star Connection

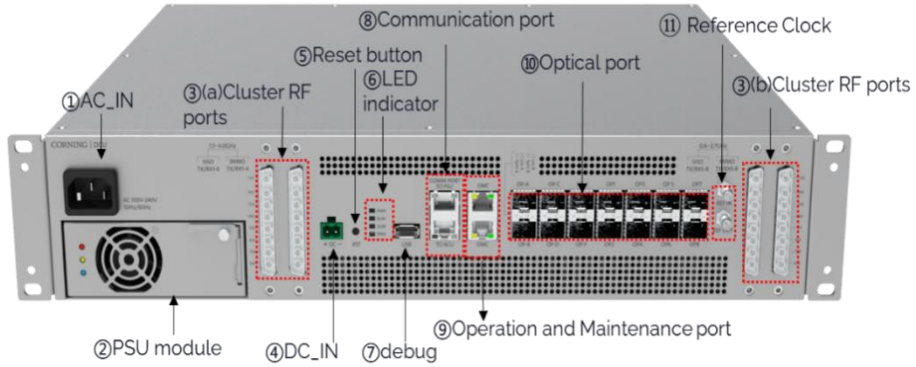


Figure 13. DCU Interface (front view)

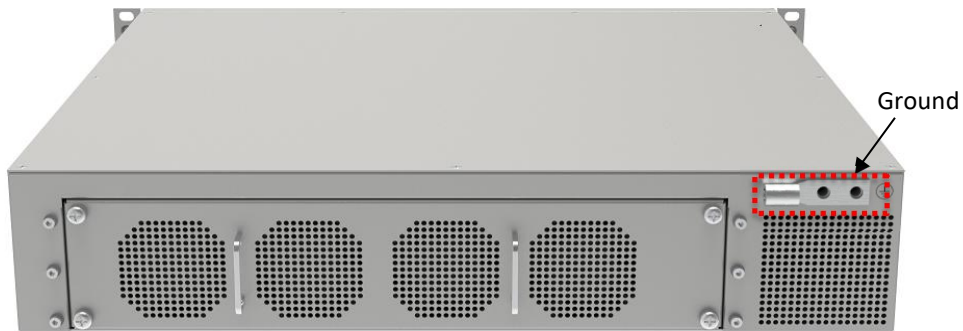


Figure 14. DCU Interface (back view)

Table 5. DCU Interface Introduction

SN	Interface	Interface Type	Silk Screen	Description
1	AC_IN	US Type socket	AC IN 100V~240V, 3A, 50/60Hz	AC input connector with switch, 100~240V
2	PSU Module	PSU module x 1		PSU module with replaceable design
3(a) b)	Cluster RF ports	Cluster RF ports x 4	IRFC1~4 SISO TX/RX 1~4 SISO TX/RX 5~8 MIMO TX/RX 1~4 MIMO TX/RX 5~8	IRFC: Integrated Radio Frequency Cluster There is a total of 4 cluster RF ports and each one has 8 radio ports. The operation frequency range of each radio port is listed in Table 6
4	DC_IN	Phoenix connector	DC_IN	48V DC input
5	Reset button	Button x 1	RST	Reset button for the system setup to factory config
6	LED indicator	LED x 4	PWR/ALM/RUN/PRI	Please check 'Appendix A' for LED definition
7	Debug	USB	USB	For internal debug purpose
8	Communication port	RJ4 5 x 2	COMM Port/RIU/PSU	Communication port for RIU and PSU
9	Operation and Maintenance port	RJ45 x 2	OMT OMC	1 for local monitor and config (OMT), 1 for remote monitor (OMC)
10	Optical port	SFP x 14	OP_A~OP_F (LOS A~F / SYNC A~F) OP1~OP8 (LOS 1~8 / SYNC 1~8)	24.3Gbps CPRI interface, connects to DEU (port 1~8) or cascade DCU (port A~F) Please check 'Appendix A' for Optical LED definition
11	Reference clock	QMA x 2	REF_IN REF_OUT	10MHz reference signal, input and output clock
12	GND	Two holes M4 x 2	GND	Connect to the ground

Table 6. Radio Spec of Cluster RF Port

DCU Input Port	Cluster RF Port Number	IBW	Frequency Range
SISO/MIMO TX/RX 1~2	4	300MHz	1710~4000MHz, TDD/FDD
SISO/MIMO TX/RX 3~4	4	300MHz	1710~4000MHz, TDD/FDD
SISO/MIMO TX/RX 5~6	4	200MHz	600~2700MHz, TDD/FDD
SISO/MIMO TX/RX 7~8	4	200MHz	600~2700MHz, TDD/FDD

### 1.4.3 DEU



Figure 15. DEU

Distributed Extension Unit (DEU) is the Hub and Distribution element of the system. The DEU interfaces between the DCU and remote units, enabling it to receive the operator’s service signals in CPRI format, and to deliver these signals to associated remote units. The DEU supports any mix of power levels, frequency bands and antenna configurations of digital remote units of the Corning® Everon™ 6000 G2 system. Each DEU includes 4 F/O CPRI ports connected to the DCUs or cascaded DEUs, and 24 F/O CPRI ports for connection to the remote units. When additional digital remote units are needed, the system can be easily scaled up by adding additional system elements. Main functionalities include:

- Channelization function: The DEU is the channel controller of the Everon 6000 G2 system. Table 7(Full TDD 2.5GHz + TDD 3.5GHz) and Table 8(Full FDD + TDD 2.5GHz) list the possible channel capacities of the DEU.
- CPRI signal distribution: The DEU transfers the dedicated signals to dedicated remote units.\* DEU supports 10Gbps or 25Gbps line rate and various kinds of remote units. The line rates and remote units supported are listed in Table 9.
- Flexible network architecture: One DCU supports up to 16 DEUs\* by star and/or daisy chain connections, which meets flexible site deployment requirements. The DEU connection topology is shown in Figure 16.
- The DEU manages all connected digital remote units which can be monitored and controlled by the user via SNMP.

Figure 17 shows the DEU interfaces. Table 10 lists the interfaces’ description.

\*Notes: Please check the software release note for the DEU signal distribution features and its supporting range of remote units.

Table 7. Carrier Config Option 1. Full FDD band + TDD 3.5GHz band

Band	Maximum Carrier Number (2T2R)				Maximum Total Carrier Number	Maximum Total BW
	10/20MHz	30/40/50MHz	60/80/100MHz	150/200MHz		
2.5GHz: dLRU-25/ dMRU-2325/dMRU-25/dHRU-25	3	2	2	0	5	194MHz
3.5G-A: dLRU-35/dMRU-35/dHRU-35 (3450~3550MHz)	8	3	3	1	8	250MHz
3.5G-B: dLRU-35/dMRU-35/dHRU-35 (3700~3980MHz)	8	3	3	1	8	280MHz

Table 8. Carrier Config Option 2. Full FDD band + TDD 2.5GHz band

Type	Band	Maximum Carrier Number (2T2R)			Maximum Total Carrier Number	Maximum Total BW
		5/10MHz	15/20MHz	40/60/80/100MHz		
dMRU –678 dLRU-678	600M	3	1	0	12	35MHz
	700L+700U	4	1	0		40MHz
	850M	3	1	0		32MHz
dMRU –1921 dLRU-17192325	PCS	4	4	0	14 (Each sub-band ≤8)	90MHz
	EAWS	4	4	0		90MHz
dMRU-2325 dLRU-17192325	WCS	1	0	0	6	10MHz
	2500M	0	3	2		194MHz

Table 9. DEU Line Rate Application

DEU Line Rate	Remote Unit Type
10Gbps	dLRU-G2-678/dLRU-G2-17192125/dHRU-G2-6/ dHRU-G2-7/ dHRU-G2-85/ dHRU-G2-17/ dHRU-G2-19/ dHRU-G2-23
25Gbps	dLRU-G2-25/dLRU-G2-35/dMRU-G2-678/dMRU-G2-1719/ dMRU-G2-2325/dMRU-G2-25/dMRU-G2-35/dHRU-G2-25/dHRU-G2-35

1. DEU supports flexible network architecture of 4 level daisy chain connections as shown in Figure 16.



Figure 16. DEU Daisy Chain Connection

\*Note: Please check the software release note for the DEU cascading features and limitation of each software version.

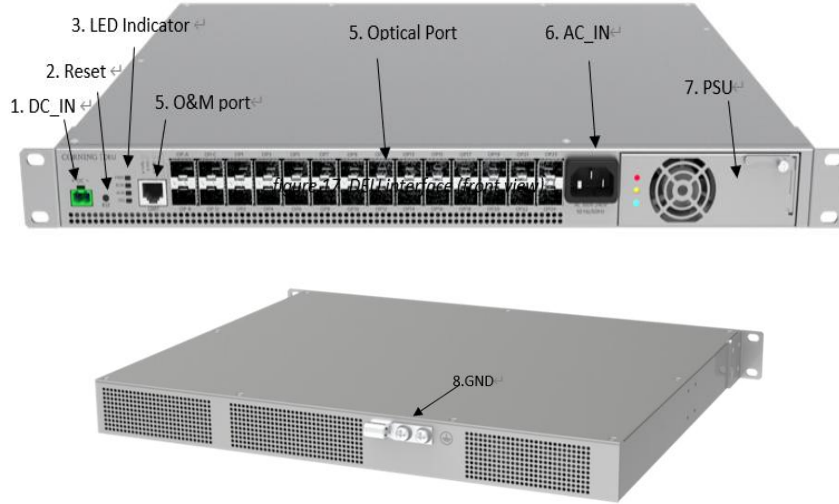


Figure 17. DEU Interface (front and back view)

Table 10. DEU Interface Introduction

NO.	Interface	Interface Type	Silk Screen	Description
1	DC_IN	Phoenix connector	DC_IN	48V DC input
2	Reset Button	Button x 1	RST	Reset button for the system reset to factory config
3	LED Indicator	LED x 4	PWR RUN ALM 25G	ALM/RUN/PWR: Indicates the DEU working mode and alarm status 25G: Indicates the DEU is running in 24.3Gbps line rate
4	Operation and Maintenance Port	RJ45 x 1	OMT	Ethernet connection for a local setup session
5	Optical Port	SFP x 28	OP_A~OP_D OP1~OP24	24 ports (1~24) for RU connection, 10.1Gbps/24.3Gbps CPRI interface 2 ports (A~B) for upper unit connection, 2 ports (C~D) for lower unit cascade, 24.3Gbps CPRI interface
6	AC_IN	US Type socket + Switch x 1	AC IN 100V~240V, 3A,50/60Hz	AC input connector, Max current 3A, 100~240V

7	PSU Module	PSU module x 1	POWER MODULE	PSU module with easy assembly installation design
8	GND	Two holes M4 x 2	GND	Connect to the ground



#### 1.4.4 Remote Units

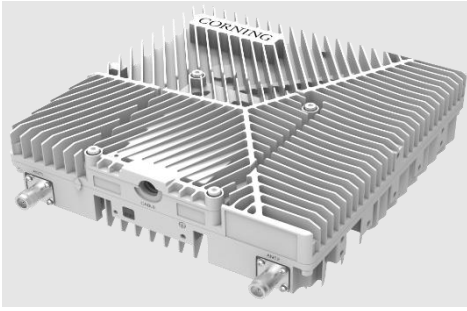


Figure 18. dLRU Image



Figure 19. dMRU Image



Figure 20. dHRU-FDD Image



Figure 21. dHRU-TDD Image

The Remote Unit (RU) is the radio coverage unit located at the end of the DAS system. The Remote Unit interfaces between DEU and the UE (User Equipment), enabling it to receive the operator service signals in CPRI format, transfer to RF signal and send to UE. Corning digital remote antenna units includes 2 power level types: dLRU/dMRU. Power levels vary from 20dBm to 40dBm to meet different coverage scenarios. The major functionalities include:

- Digital and analog signal transfer: The RU transfers digital and analog signal between DEU and antenna port. The DU supports up to 530 IBW signal in C-band with its powerful transceiver.
- Multi-band signal process: The RU supports multiple band signal of the single unit. One dLRU supports up to 4 bands, one dMRU supports up to 2 bands.
- Channel control function: The RU configures all emission channels including power level, ON/OFF status and working mode (UL/DL/TDD).
- Control and management function: The RU can be remotely upgraded and monitored. All of the RU's parameters including the alarm, device status, and emission power are all transferred to the DEU via CPRI lines in optical ports.

Table 11 shows RU band, CPRI line rate, and optical port number.

The dLRU interfaces and the description are shown in Figure 23 and G2 (2 Fibers) capacity is 2x2 MIMO, total RF BW is 325MHz, which is greater than G1 (3 Fibers). For saving power consumption, port 3 is blocked and disabled.

Table 12Table 11. RU Band, CPRI, Optical port list

RU Type	RU	Operation Band	CPRI Line Rate	Optical Fiber Quantity	RU Optical Port
dLRU	dLRU-G2-678	600 700L 700U FirstNet 800/850MHz	10Gbps	1	1
	dLRU-G2-17192325	1900(PCS) 2100(EAWS) 2300(WCS) 2500 TDD	10Gbps	2	3
	dLRU-G2-25	2500 TDD	25Gbps	1	2
	dLRU-G2-35	3500 TDD	25Gbps	2	2
dMRU	dMRU-G2-678	600 700L 700U FirstNet 800/850MHz	25Gbps	1	2
	dMRU-G2-1921	1900(PCS) 2100(EAWS)	25Gbps	1	2
	dMRU-G2-2325	2300(WCS) 2500 TDD	25Gbps	1	2
	dMRU-G2-25	2500 TDD	25Gbps	1	2
	dMRU-G2-35	3500 TDD	25Gbps	2	2
dHRU	dHRU-G2-6	600	10Gbps	1	1
	dHRU-G2-7	700L 700U FirstNet	10Gbps	1	1
	dHRU-G2-85	800/850MHz	10Gbps	1	1
	dHRU-G2-17	2100(EAWS)	10Gbps	1	1
	dHRU-G2-19	1900(PCS)	10Gbps	1	1
	dHRU-G2-23	2300(WCS)	10Gbps	1	1
	dHRU-G2-25	2500 TDD	25Gbps	1	2
	dHRU-G2-35	3500 TDD	25 Gbps	2	2

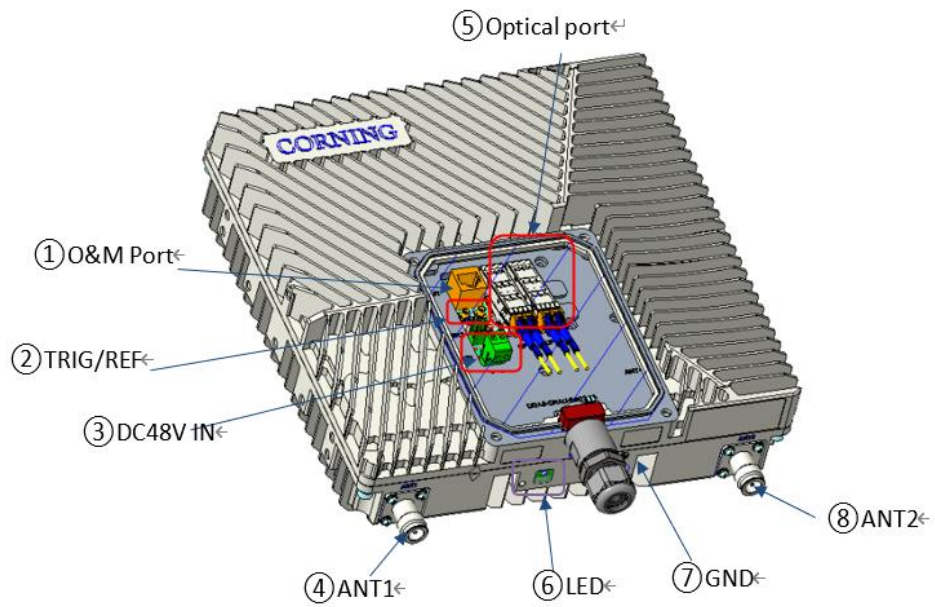


Figure 22. dLRU-G2-678

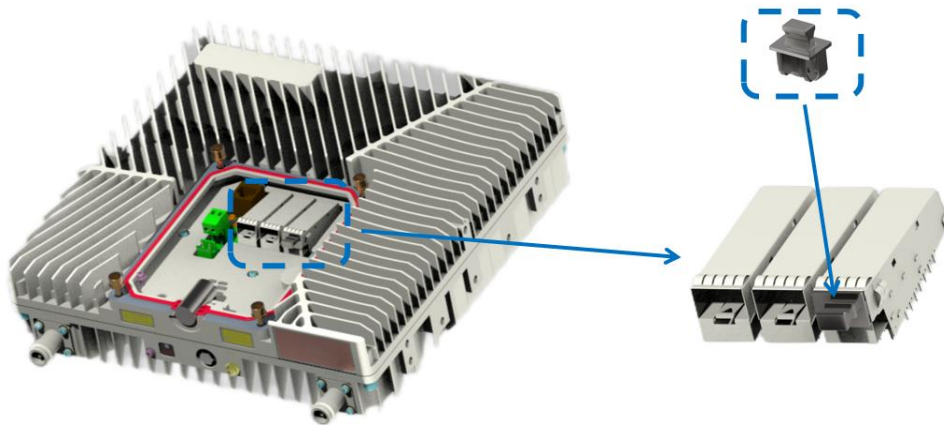


Figure 23. dLRU-G2-17192325 Interface Image

**Note:** RU has 3 optical ports. G2 (2 Fibers) capacity is 2x2 MIMO, total RF BW is 325MHz, which is greater than G1 (3 Fibers). For saving power consumption, port 3 is blocked and disabled.

Table 12. dLRU Interface Introduction

NO.	Item	Interface Type	Silk Screen	Description
1	Operation and Maintenance Port	RJ45	OMT	Ethernet connection for the local setup
2	TRIG/REF	MCX interface	TRIG/REF	Synchronous trigger signal, used for device test
3	DC48V IN	Power input port	DC48V IN	Power input port, voltage input range 38V~58V, PWR1 and PWR2 will be combined inside the device before supplying power to the device
4	ANT	4.3-10 interface	ANT1/ ANT2	RF input and output, used for external antenna connection
5	CPRI Port	SFP optical port	OP1/OP2	24.3/9.8Gbps CPRI interface for DEU connection
6	Status	LED indicator	STAT	Indicating the operation status of the equipment
7	GND	GND interface		Used for grounding the chassis and the earth, single hole



Figure 24. dMRU Interfaces

Table 13. dMRU Interface Introduction

NO.	Item	Interface Type	Silk Screen	Description
1	ANT	4.3-10 interface	ANT1/ANT2	RF input and output, used for external antenna connection
2	Couple port	SMA	Couple 2	RF couple port, used for signal test and debug
3	CPRI Port	SFP optical port	OP1/OP2	24.3Gbps CPRI interface for DEU connection
4	Operation and Maintenance port	RJ45	OMT	Ethernet connection for the local setup
5	LED	LED indicator	STAT	The operation status of the equipment
6	AC IN	Power input port	AC IN	Power input port, voltage input range 100V~240V, 3A

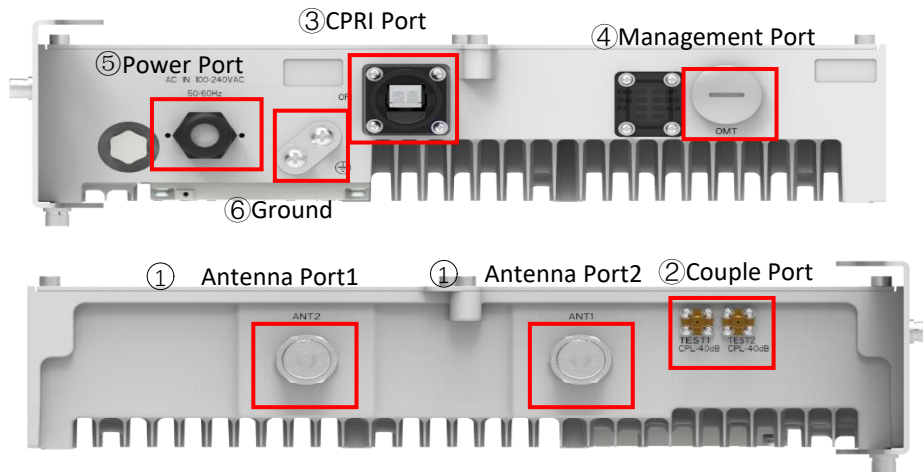


Figure 25. dHRU FDD Interfaces

Table 14. dHRU-FDD Interface Introduction

NO.	Port Name	Interface Type	Silk Screen	Description	
1	Antenna Ports	4.3-10 female	dHRU-G2-7	ANT1/ ANT2	RF input and output, used for external antenna connection
			dHRU-G2-6/85/17/19/23	ANT1/ ANT2/ANT3/ANT4	
2	Couple Ports (-35dB)	QMA female	CLP 1/CLP2	RF couple port, used for signal test and debug	
3	CPRI Port	SFP+ 10 Gbps	OP 1	10 Gbps CPRI interface for dHRU connection	
4	Management Port	RJ45	OMT	RJ45	

5	Power Port	C016 20C003, male	AC IN	Power input port, voltage input range 100V~240V, 3A
6	GND	GND interface		Used for grounding the chassis and the earth, single hole

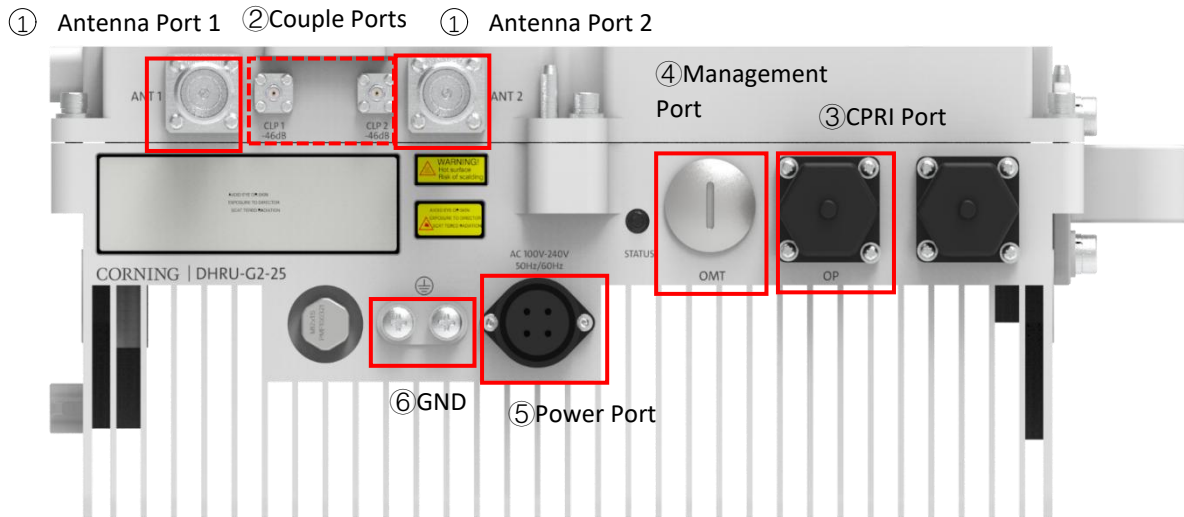


Figure 26. dHRU TDD Interfaces

Table 15. dHRU -TDD Interface Introduction

SN	Port Name	Interface Type	Silk Screen		Description
1	Antenna Ports	4.3-10 female	dHRU-G2-25	ANT1/ ANT2	RF input and output, used for external antenna connection
			dHRU- G2-35	ANT1/ANT2/ANT3/ANT4	
2	Couple Ports	QMA female	dHRU-G2-25	CLP 1/CLP2	RF couple port, used for signal test and debug
			dHRU- G2-35	CLP 1/CLP2/CLP3/CLP4	
3	CPRI Port	SFP+ 24.3Gbps	OP 1	RJ45	10 Gbps CPRI interface for dHRU connection
			OP 2		
4	Management Ports	RJ45	OMT		Power input port, voltage input range 100V~240V, 3A
5	Power Port	C016 20C003, male	AC IN		10 Gbps CPRI interface for dHRU connection
6	GND	GND interface			Used for grounding the chassis and the earth, single hole

### 1.4.5 System topology and gain assignment

The system topology contains the following network elements:

- One master DCU – All the configs and alarms of RIUs, DCUs, DEUs and remote units are transferred to it, and interfaces the SNMP server of DAS system.
- Slave DCU – one master DCU connects to 3 slave DCUs
- RIUs – each DCU can connect to 16 RIUs
- DEU – one master DCU connects to 4 DEUs, and each DEU connects to 4 DEUs in cascade, so that one master DCU supports 16 DEUs
- Remote units – each DEU connects to 12 or 24 remote units, depending on the types and line rates of the remote unit. For more detail, please refer to Table 10.

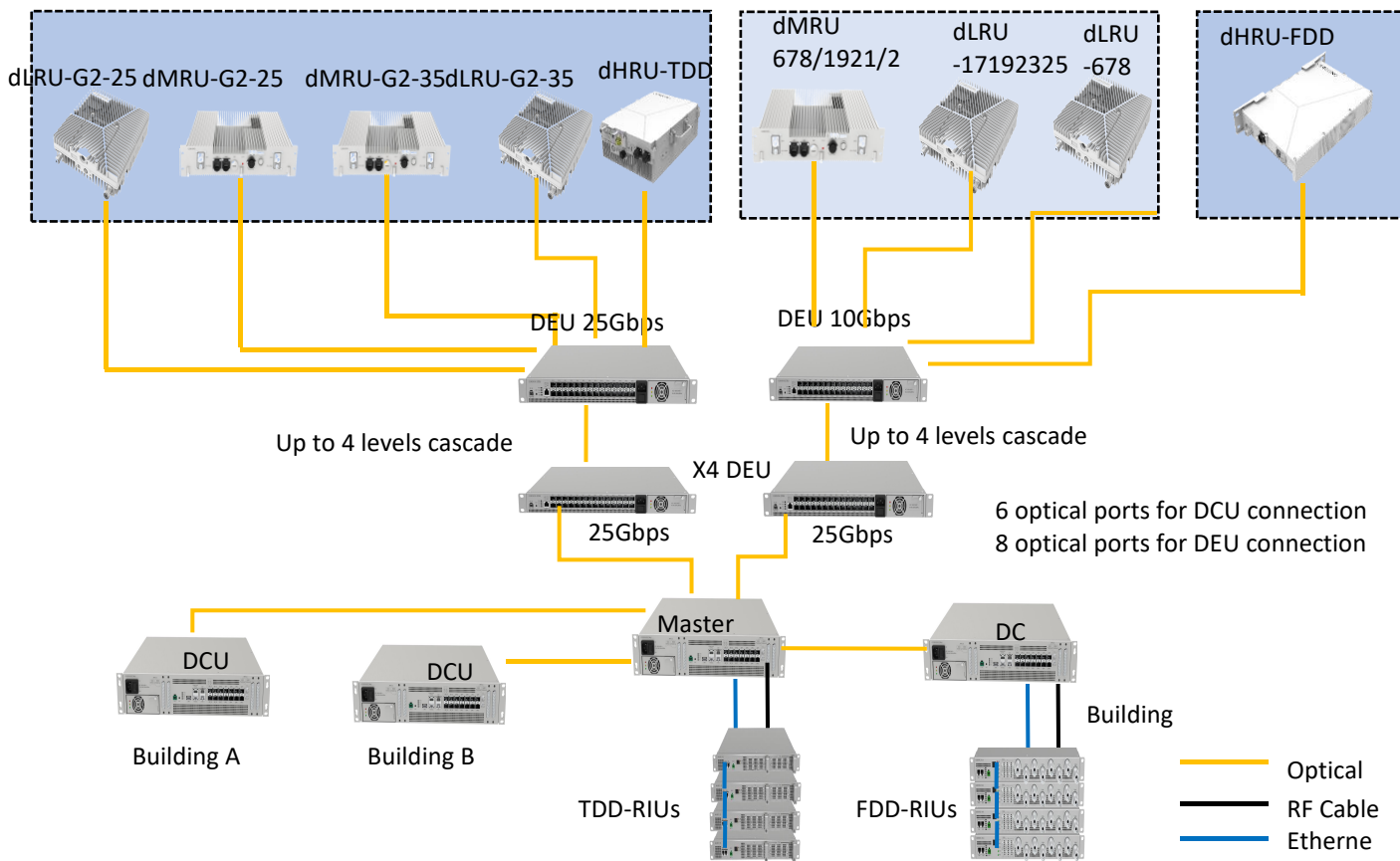


Figure 27. System Topology

Two switches for gain control are available in the system – RIU high gain mode switch and DCU high gain mode switch. The suggestions for the switches are listed in Table 16.

- The RIU high gain mode will add 30dB insert loss while switching to OFF status
- The DCU high gain mode will add 12dB insert loss while switching to OFF status



Table 16. Gain Setting Guide

RIU						
Mode	RIU input			RIU Gain		
RIU high gain mode switch	RIU Max input power(damaged)	RIU Max input power(performance)	RIU input power range	RIU fixed Gain (DL_ATT=0dB)	RIU DL_ATT range	RIU total gain = RIU fixed Gain - RIU DL_ATT
ON	23dBm	12dBm	-15 ~ +12 dBm	-7dB	0~25dB	= -7dB - RIU DL_ATT
OFF	40dBm	37dBm	+11 ~ +37dBm	-30dB	0~25dB	= -30dB - RIU DL_ATT

DCU		dxRU
DCU high gain mode switch	Recommend DCU input power (AGC average THR)	Recommend DCU input power corresponding dxRU baseband power
ON	-19dBm	-14dBfs
OFF	-7dBm	-14dBfs

Note: dxRU refers to all dLRU, dMRU, dLRU-L, dLRU-M, dMRU-FDD

DCU								
Mode	DCU input					DCU Gain		
DCU high gain mode switch	DCU Max input power(damaged)	DCU max input power (performance)	DCU input power range by performance	Recommend DCU input power (AGC average THR)	Recommend DCU input power corresponding dxRU baseband power	DCU fixed Gain (DL_ATT=0dB)	DCU DL_ATT range	DCU total gain = DCU fixed Gain - DCU DL_ATT
ON	-2dBm	-12dBm	-40 ~ -12 dBm	-19dBm	-14dBfs	12dB	0~20dB	= 12dB - DCU DL_ATT
OFF	+10dBm	0dBm	-40 ~ 0 dBm	-7dBm	-14dBfs	0dB	0~20dB	= 0dB -DCU DL_ATT

Input	Config and result								
Base station	RIU				DCU			dxRU	
Base station input power to RIU(PwrB)	RIU high gain mode switch	RIU DL_ATT (manual)	RIU gain	RIU output to dcu	DCU input power	DCU high gain mode switch	DCU DL_ATT (AGC auto control)	corresponding dxRU baseband power	dLRU output power
37dBm	OFF	14	-30-(14) =-44dB	-7	-7	OFF	0 dB	-14dBfs	Rated power
23~37dBm	OFF	(PwrB-23)	-30dB-RIU DL_ATT	-7	-7	OFF	0dB	-14dBfs	Rated power

23dBm	OFF	0	-30dB	-7	-7	OFF	0dB	-14dBfs	Rated power
12~23dBm	OFF	0	-30dB	PwrB - 30	PwrB - 30	ON	$PwrB - 30 - (-19) = PwrB - 11$	-14dBfs	Rated power
12dBm	OFF	0	-30dB	-18dBm	-18dBm	ON	1dB	-14dBfs	Rated power
11dBm	ON	11dB	-7dB-11dB = -18dB	-7dBm	-7dBm	OFF	0dB	-14dBfs	Rated power
0-11dBm	ON	PwrB	-7dB-PwrB	-7dBm	-7dBm	OFF	0dB	-14dBfs	Rated power
0 dBm	ON	0	-7dB	-7dBm	-7dBm	OFF	0dB	-14dBfs	Rated power
-12 dBm ~0 dBm	ON	0	-7dB	-7 dBm + PwrB	-7+ PwrB	ON	$-7+ PwrB - (-19) = 12+PwrB$	-14dBfs	Rated power
-12 dBm	ON	0	-7dB	-7 dBm + -12 = -19 dBm	-7+ -12 = -19 dBm	ON	$-7-12-(-19) = 0$	-14dBfs	Rated power
-12 dBm ~-15 dBm	ON	0	-7dB	-7+ PwrB	-7+ PwrB	ON	0dB	$=-14dBfs-(-12-PwrB)$	Rated power-(-12-PwrB)
-15 dBm	ON	0	-7dB	-22dBm	-22dBm	ON	0dB	$=-14dBfs-(-12-(-15)) = -17dBfs$	Rated power-3dB

## 2. System Installation

This chapter provides installation instructions for the system units. Refer to the specific elements required in your deployment:

- Headend, see 2.1
- Remote Units Installation:
  - dLRU, see 2.5.
  - dMRU, see 2.6.

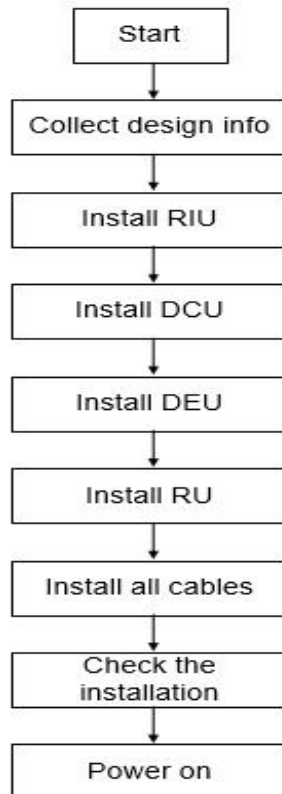


Figure 28. The Installation Process

## 2.1 Headend Units – Architecture Example

Example: 2X2 MIMO, 1 Operator

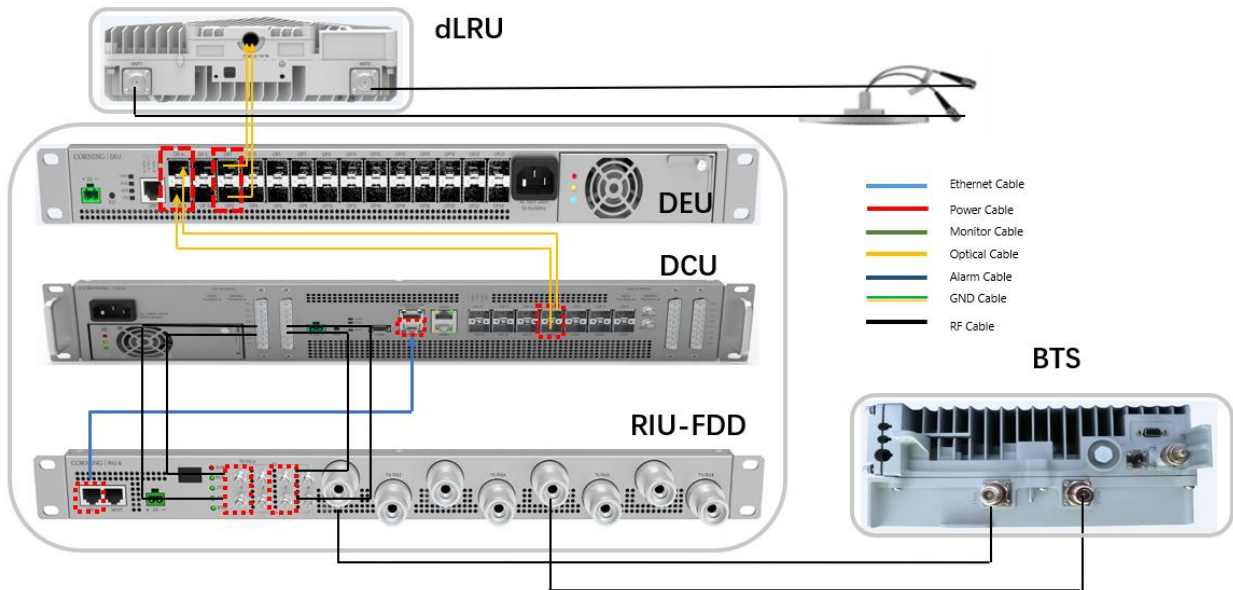


Figure 29. dLRU-FDD Architecture Image

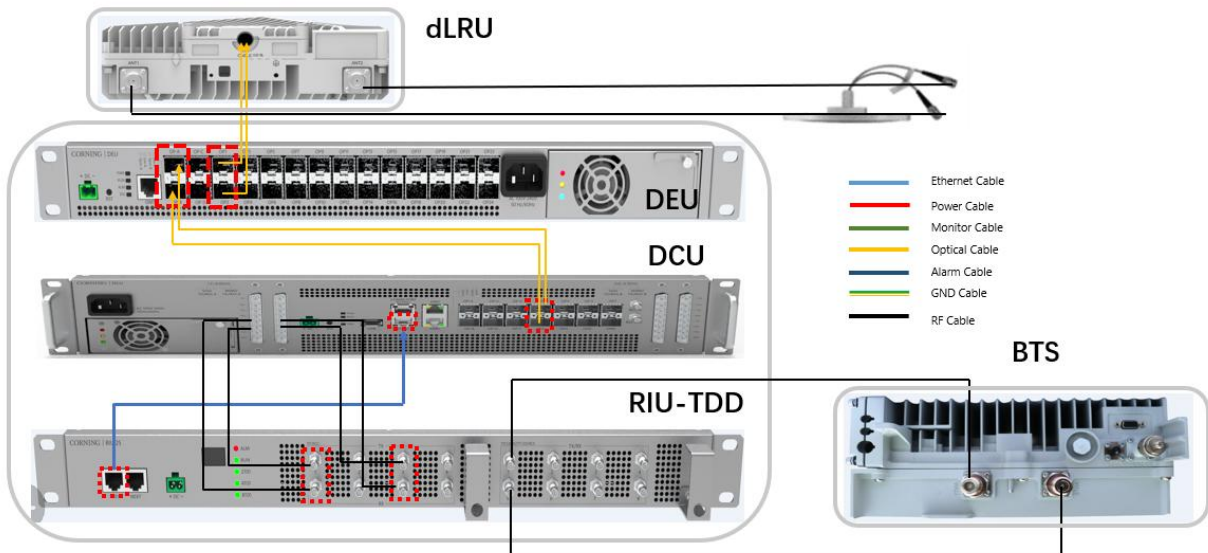


Figure 30. dLRU-TDD Architecture Image

## 2.2 RIU Installation

### ➤ Example of system connection

See 2.1 example: 2x2 MIMO

Contact the site designer for cable connection topology of the system.








### ➤ To install the RIU, follow these steps:

1. Verify the box contents, see 2.2.1
2. Mount the RIU, see 2.2.2
3. Connect the RIU cable, see 2.2.3

### 2.2.1 Verify Box Contents

Open the package and verify that all items in Table 17 are available.

Table 17. RIU Packing List

Item	Image	Part Number	Quantity
HARDWARE – provided in the box			
RIU Unit		RIU-TDD	1
		RIU-FDD	1
Cable Rack			2
Ethernet Communication Cable		Connected to the DCU or RIU of next slave device	1
DC Power Adapter			1
HARDWARE – not provided			
4 screws #8 or 4 mm (For attachment to rack)			4
Required Tools			
Cross Screwdriver			1

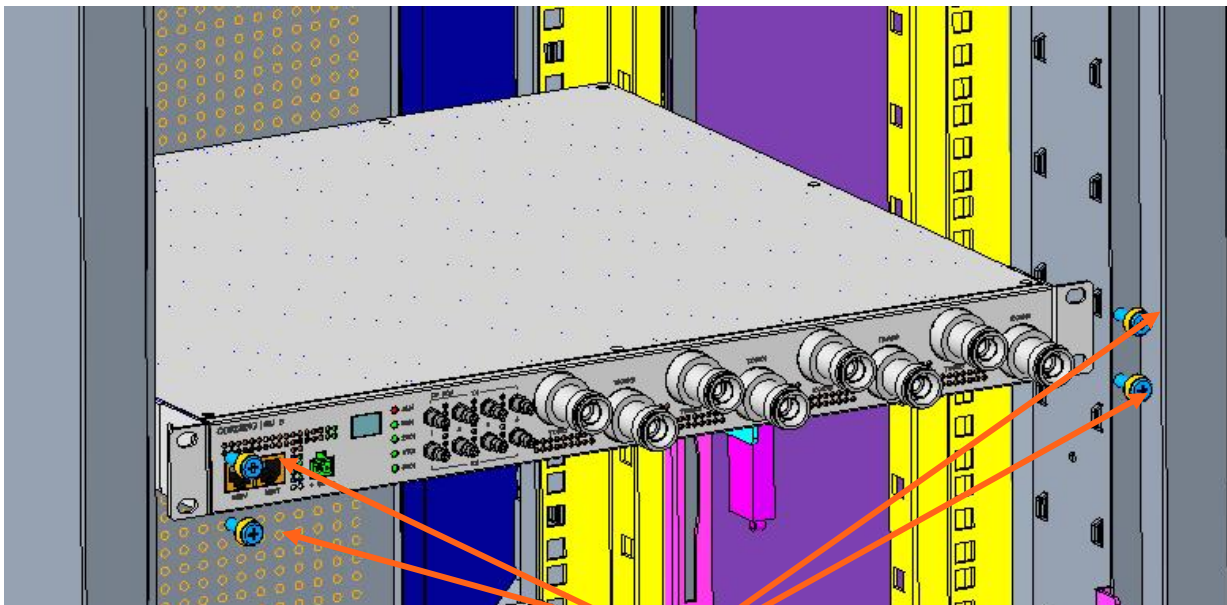
### 2.2.2 Mount the RIU

Place the RIU horizontally in the 19-inch rack, align the four holes on the lugs on both sides of the equipment with the nuts, install the M6 screws and fasten them.

Note: RIU-FDD installation is the same as RIU-TDD installation



4 screws



4 screws

Figure 31. RIU Rack Installation

- 1) Connect the RF cables on the chassis with M3 screws and sort out the RF cables.

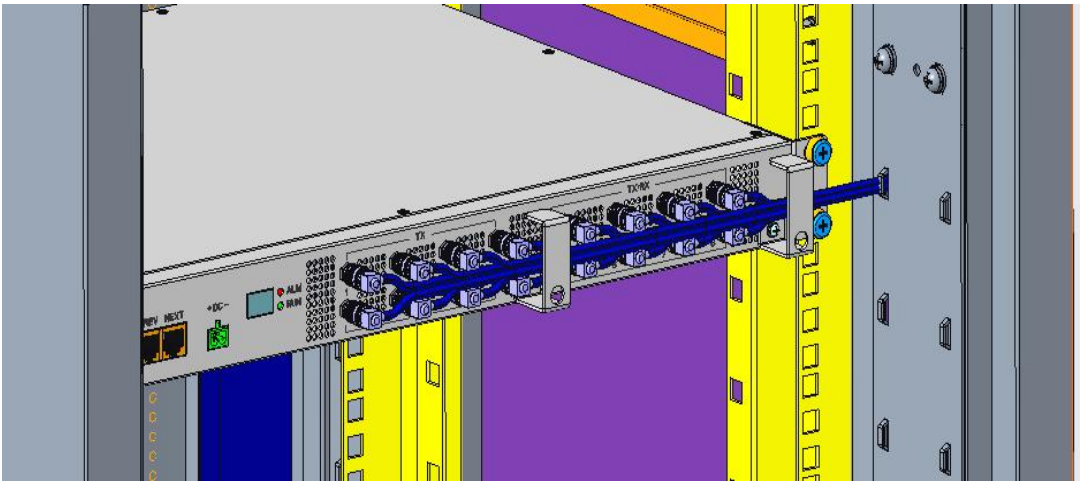


Figure 32. RIU Rack Installation with Cables

### 2.2.3 RIU Cable Connection

Connect the external cable as shown in the following diagram.

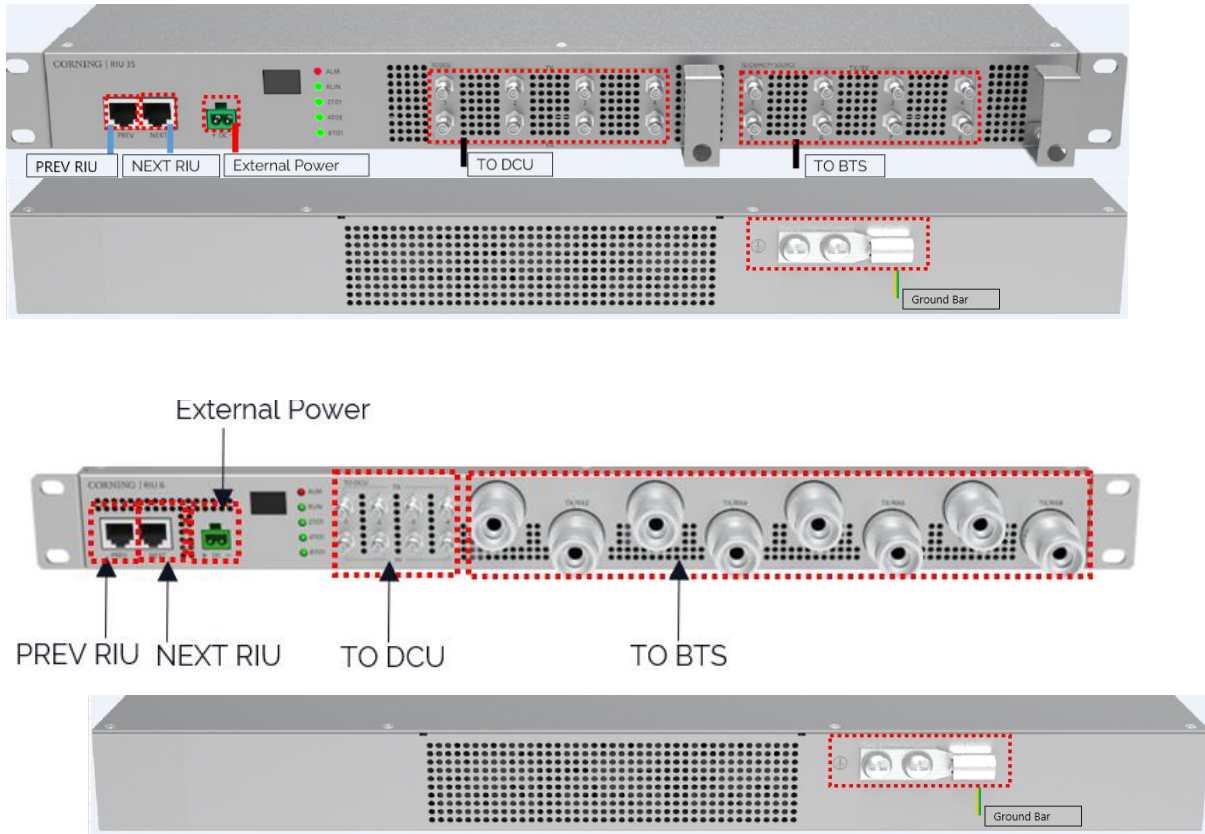


Figure 34. RIU-TDD/FDD Cable Connection

Cable List for RIU				
Cable	One End		The Other End	
	Connector	Connected to...	Connector	Connected to...
GND cable	OT terminal (M4)	Ground screw on the RIU	OT terminal (M4)	Ground terminal on the external ground bar
DC power cable (indoor)	Phoenix connector	DC power input socket on the RIU	2-pin plug	External power input socket
RF cable	QMA connector	Simplex radio connectors	Cluster RF connector	DCU
	4.3-10/QMA connector	Duplexer radio connectors	Required for BTS	BTS
Ethernet communication cable	Communication port (RJ45 x 2)	PREV: Upper cascading port to DCU or upper level RIU NEXT: Lower cascade port to other RIU	Communication port (RJ45 x 2)	RIU/DCU



## 2.3 DCU Installation

### ➤ Example of system connection

See 2.1 for the installation example (2x2 MIMO).






### ➤ Follow these steps to install the DCU:

1. Verify the box contents, see 3.2.3.1
2. Mount the DCU, see 2.3.2
3. Connect the DCU cable, see 2.3

### 2.3.1 Verify Box Contents

Open the package and verify that all the items in Table 18 are available:

Table 18. DCU Packing List

Item	Image	Description	Quantity
HARDWARE – provided in the box			
DCU Unit			1
Ethernet Communication Cable			1
DC Power Adapter			1
AC Power Cable			1
Cluster Cable			4
PSU Module		Uninstalled with DCU	1
HARDWARE – not provided			
Screws		4 Screws #8 or 4 mm (for attachment to ceiling)	4
SFP+ Pluggable transceivers		(hot-pluggable optical transceiver module) Support 25Gbps line rate, single-mode	According to actual use

Optical cables		Up to 10 km LC/UPC SM DX	According to actual use
Required Tools			
Cross Screwdriver			1

### 2.3.2 Mount the DCU

Step 1: Take the DCU out of the package.



Figure 35. DCU Image

Step 2: Put the DCU horizontally into the rack, tighten the M6 screws as shown below, and the installation is completed.

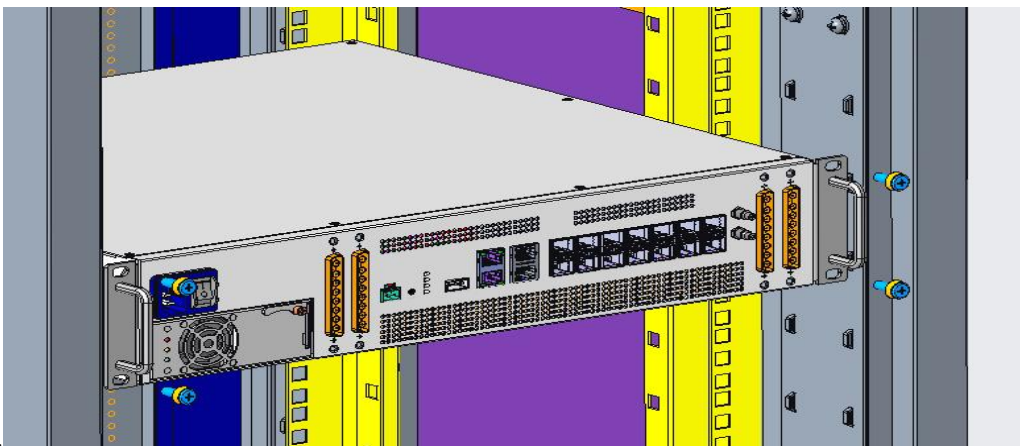


Figure 36. Installation Diagram of DCU in the Rack

Step 3: Plug in the RF cable plug (RF cable not shown in the below).



Figure 37. DCU RF Cable Plug Installation

### 2.3.3 DCU Cable Connection

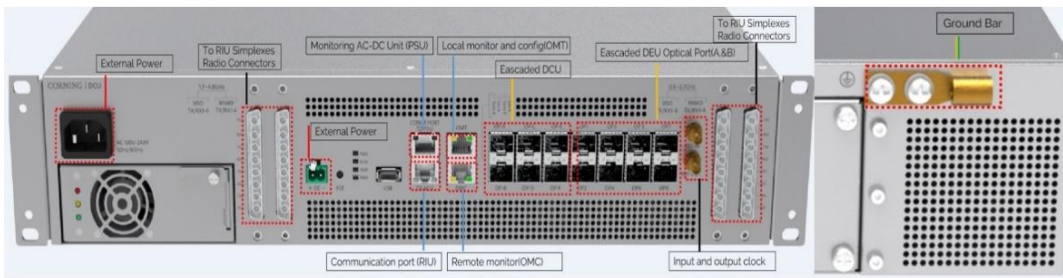


Figure 38. DCU Cable Connection

Cable List of Dual DCU				
Cable	One End		The Other End	
	Connector	Connected to...	Connector	Connected to...
GND cable	OT terminal (M4)	Ground screw on the RIU	OT terminal (M4)	Ground terminal on the external grounding bar
DC power cable (indoor)	Phoenix connector	DC power input socket on the RIU	2-pin plug	External power input socket
AC power cable (indoor)	US Type socket + Switch x 1	AC IN	Depending on power device	External power device
		100V~240V, 1.3A-0.6A,50/60Hz	(100V-240V,50Hz/60Hz)	(100V-240V,50Hz/60Hz)
RF Cable	Cluster RF connector	IRFC1~8	QMA Connector	RIU
		SISO TX/RX 1~4		
		SISO TX/RX 5~8		
		MIMO TX/RX 1~4		
		MIMO TX/RX 5~8		

### 2.4 DEU Installation

#### ➤ Example of system connection

See 2.1 for the installation example (2x2 MIMO).










#### ➤ To install the HEU, follow these steps:

- Verify the box contents, see 2.4.1
- Mount the DEU, see 2.4.2
- Connect the DEU cable, see 2.4.3

### 2.4.1 Verify Box Contents

1. Open the package and verify that all items in Table 19 are available:

Table 19. DEU Packing List

Item	Image	Description	Quantity
HARDWARE – provided in the box			
DEU Unit		DEU-10G DEU-25G	1
Ethernet Communication Cable			1
DC Power Adapter			1
AC Power Cable			1
PSU Module		Uninstalled with DCU	1
HARDWARE – not provided			
Screws		4 Screws #8 or 4 mm (for attachment to ceiling)	4
SFP+ Pluggable transceivers		(hot-pluggable optical transceiver module) Support for 25Gbps line rate, single-mode	According to actual use
Optical cables		Up to 10 km LC/UPC SM DX	According to actual use
Required Tools			
Cross Screwdriver			1

## 2.4.2 Mount the DEU

1. Take the DEU out of the package.



Figure 39. Rack Installation – Step 1

2. Mount the DEU in the rack with 4 pcs of M6 screws.



Figure 40. Rack Installation - Step 2

3. Install the DEU in the rack.



Figure 41. Rack Installation - Step 3

### 2.4.3 DEU Cable Connection

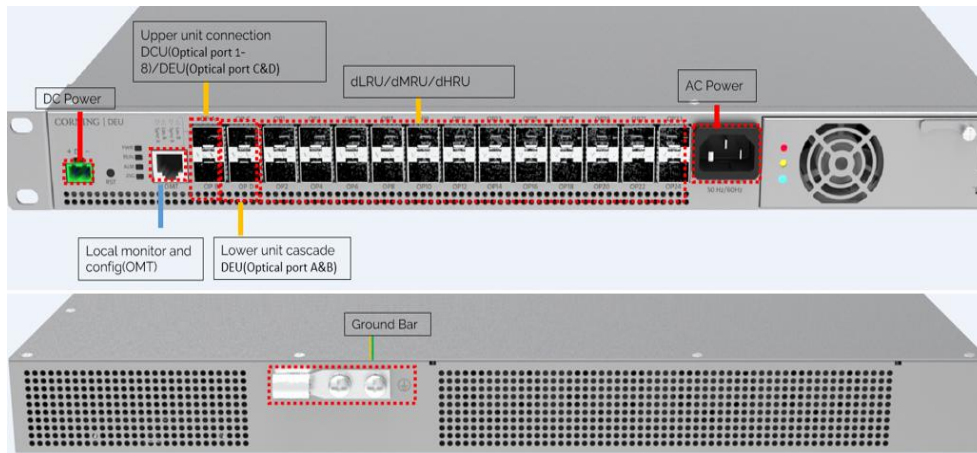


Figure 42. DEU Cable Connection

Cable List of Dual DEUs				
Cable	One End		The Other End	
	Connector	Connected to...	Connector	Connected to...
GND cable	OT terminal (M4)	Ground screw on the RIU	OT terminal (M4)	Ground terminal on the external bar
AC power cable (indoor)	US Type socket + Switch x 1	AC IN	Depending on power device	AC Power device
		100V~240V, 1.3A-0.6A,50Hz/60Hz	(100V-240V,50Hz/60Hz)	(100V-240V,50Hz/60Hz)
Fiber Cable	Optical port	Optical module	Optical port	dLRU/dMRU or DEU
				DCU or DEU

## 2.5 dLRU Installation

### 2.5.1 Verify box Contents

1. Open the package and verify that all items in Table 20 are available.

Table 20. dLRU-G2-67817192325 Packing List (in one Package)

NO.	Item	Image	Description	Quantity
1	dLRU-G2-67817192325		dLRU-G2-678 unit	1
2			dLRU-G2-17192325 unit	1
3			Wall-mounting bracket (may also be used for pole, installed with dLRU)	1
4			Left side brackets for dual-unit configuration	1
5			Right side brackets for dual-unit configuration	1
6			Hinge	1
7			Combiner – for dual unit configuration (installed with dLRU)	1
8			dLRU-TL	2
9			Ethernet Cable	1
10			RF jumper cables	4
11			DC power adapter	2
12			Bolts	4



Table 21. dLRU-G2-678/17192325Packing List- Separate

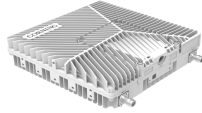
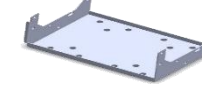


NO.	Item	Image	Description	Quantity
1	dLRU-G2-678/17192325/25 Unit		dLRU unit	1
2			dLRU bracket (Installed with dLRU)	1
3			Ethernet Cable	1
4			DC power adapter	1

Table 22. dLRU-G2-35 Packing List- Separate


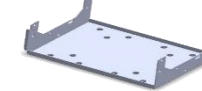






NO.	Item	Image	Description	Quantity
1	dLRU-G2-35 Unit		dLRU unit	1
2			dLRU bracket (Installed with dLRU)	1
3			Ethernet Cable	1
4			DC power adapter	1
5			RF jumper cables	2

Table 23. dLRU-Bracket (BR-dLRU) Packing List

NO.	Item	Image	Description	Quantity
1	BR-dLRU		Mounting rack	1
2			Bolt (M10x80)	4
3			dLRU left mounting plate	1

4		dLRU right mounting plate	1
5		dLRU mounting hinge	1
6		M6 screws of mounting rack	9
7		Cross recessed screw set(T) (M5x12)	6
8		Inside penta screw (T) (M6x15)	14

Table 24. dLRU-35-KIT Packing List

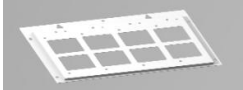











NO.	Item	Image	Description	Quantity
1	dLRU-35-KIT (for triple units' installation)		Wall Mounting bracket	1
2			Front bracket	4
3			Rear Bracket	2
4			Combiner bracket	1

Table 25. dLRU-COMB Packing List

NO.	Item	Image	Description	Quantity
1	dLRU-COMB		Combiner	1
3			RF jumper cables	4
5			dLRU termination load	2
6			dLRU left mounting plate (Left side brackets for dual-unit configuration)	1
7			dLRU right mounting plate (Right side brackets for dual-unit configuration)	1
8			dLRU mounting hinge	1
9			Cross recessed screw set (M5x12)	6
10			Inside penta screw (T) (M6x15)	8
11			M6 screws of mounting rack	7

Table 26. COMB-G2-FDD-25-35 packing list

NO.	Item	Image	Description	Quantity
1	Combiner		Combiner	1
2			RF jumper cable	6
3			dLRU left mounting plate (Left side brackets for dual-unit configuration)	1
4			dLRU right mounting plate (Right side brackets for dual-unit configuration)	1
5			dLRU mounting hinge	1
6			M6 screws of mounting rack	7
7			Cross recessed screw set(M5x12)	6
8			Inside penta screw (T) (M6x15)	8

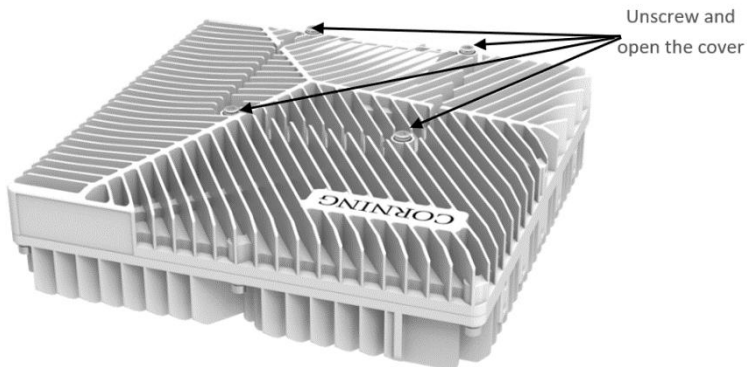
## 2.5.2 Mount the dLRU

The LRU may be mounted on a wall or on a pole: single or dual.

Select the configuration related to your deployment.

\*Note: For dual unit installations, the internal cable must be connected before connected between the units.

Step 1: Open the cover by unscrewing 4 screws



Step 2: Connect the DC wire pair (48V) to any one of the two power connectors, via the DC power adapter (terminal block connector)

Step 3: Remove the rubber stopper from the SFP+ connector located in the dLRU cable port. Connect the SFP+ LC/UPC SM DX optic cable to the dLRU optic connector.

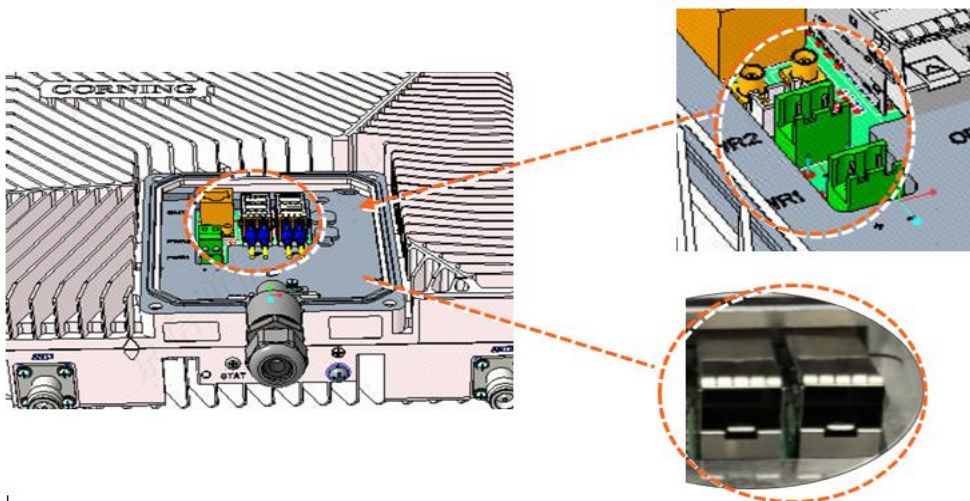


Figure 43. Power Socket/optical ports in dLRU

### 2.5.2.1 Wall Installation

#### a) For single unit

Step 1: Connect the bracket to the wall with 4 screws.

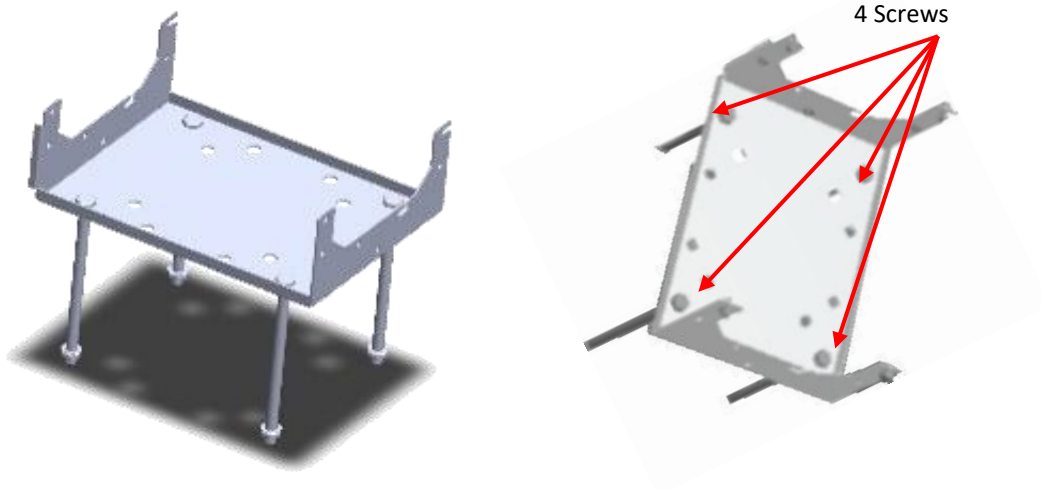


Figure 44. 4 Screws

Step 2: Mount the LRU on the bracket with 4 screws.

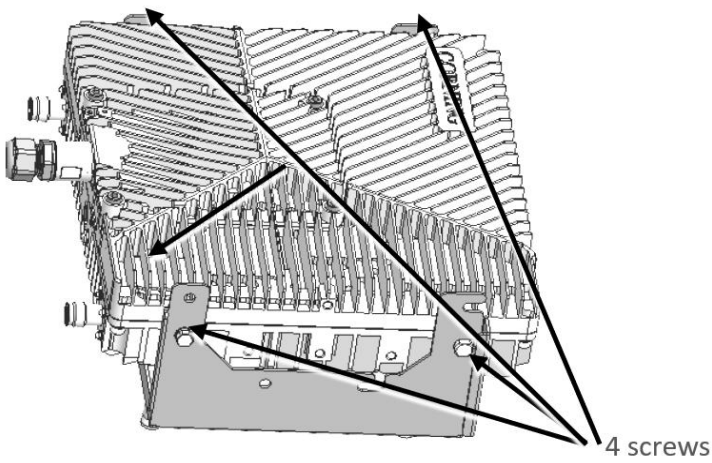


Figure 45. 4 Screws

**b) For dual units**

Step1: Connect the combiner to the mounting bracket with 4 screws.

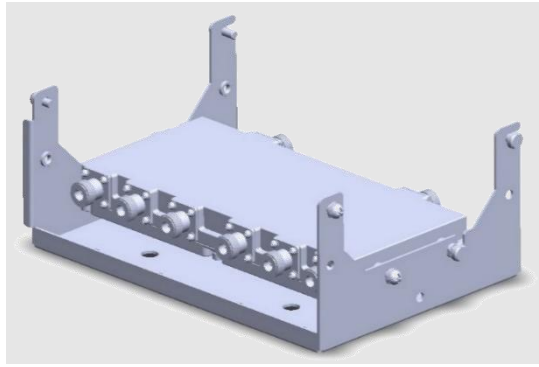


Figure 46. Combiner in the Bracket

Step 2: Connect the low-band and mid-band units with the side bracket:

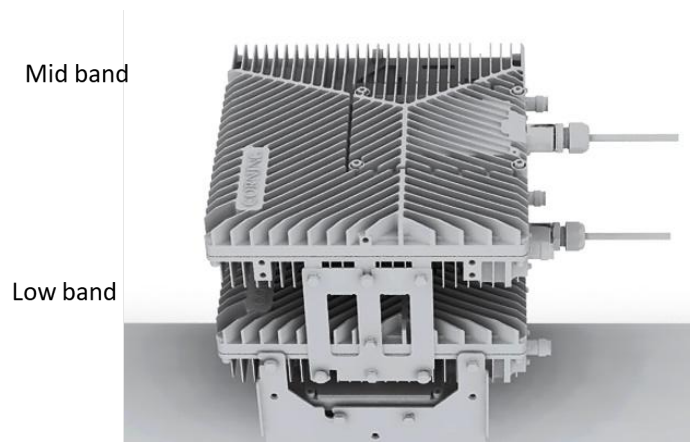


Figure 47. Combiner in the Bracket

\*Note: Ensure that the low-band device is connected at the bottom, and the mid-band at the top.

Step 3: Connect the two devices and the bracket (already carrying the combiner) with 4 screws.



c) For triple units

➤ dLRU bracket dimension:

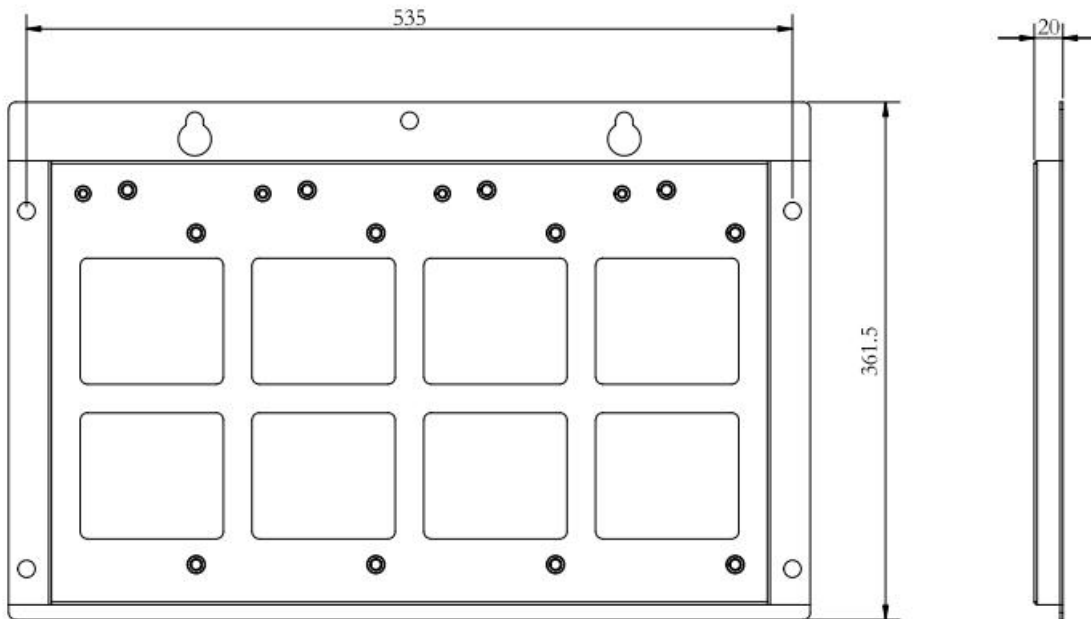
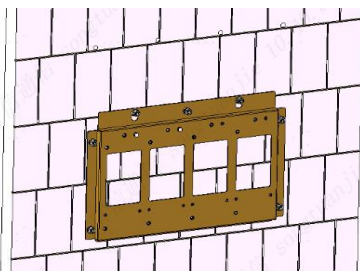
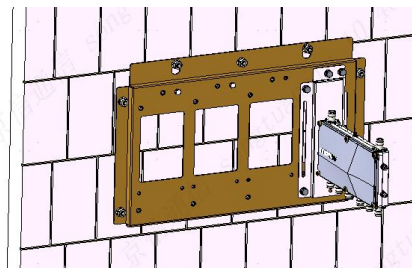


Figure 48. dLRU bracket dimension

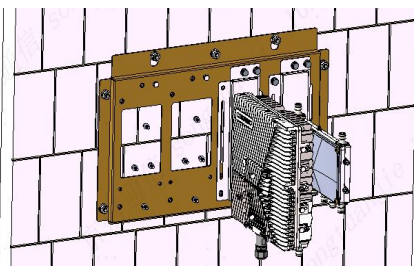
➤ Installation steps:



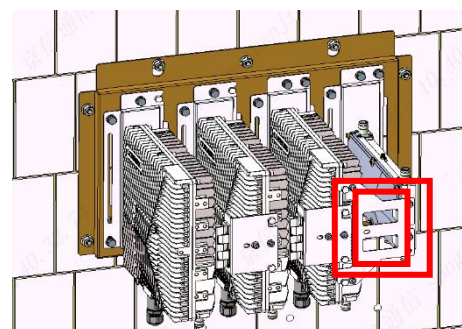
① Mount the bracket



② Connect the front bracket and combiner, and then mount to the bracket.



③ Connect the front bracket and dLRU, and then mount to the bracket



④ Mount the rear Bracket and Combiner bracket

### 2.5.2.2 Ceiling Installation

#### a) Single unit ceiling installation

\*Note: The ceiling needs to be cement board or hardwood board which enables it to bear the weight of 18 pounds.

Step 1: Drill holes on the ceiling at a distance of 200 mm\*160 mm according to the size of the mounting holes of bracket, then drive the expansion bolts into the holes, install the mounting bracket, pad gaskets, and lock the nuts.

Step 2: Tighten the M6 bracket screws on the left and right sides of the upper part of the dLRU, and then hang the device on the mounting bracket.

Step 3: Lock the device on the mounting frame with M6 combination screws.

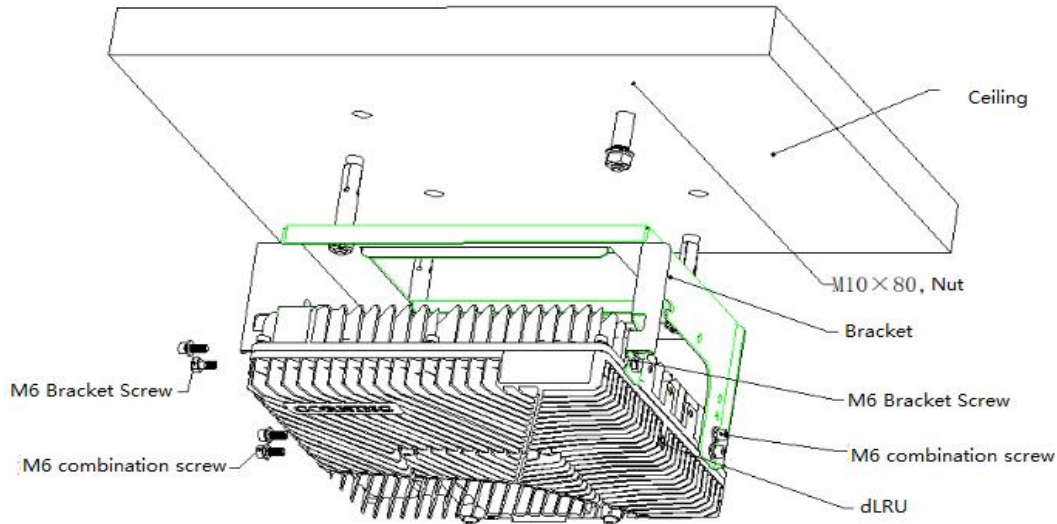


Figure 49. Single Unit Ceiling Installation

**b) Dual unit combined ceiling installation**

If the application scenario requires the use of low frequency and intermediate frequency devices, it is suggested to use the cascading installation.

\*Note: The ceiling needs to be cement board or hardwood board which enables it to bear the weight of 45 pounds. The installation steps are as follows:

Step1: Assemble the right bracket and hinge

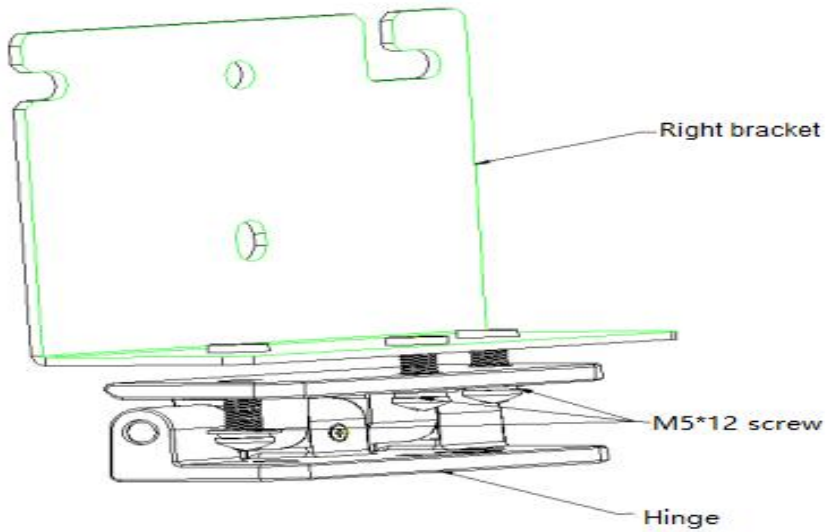


Figure 50. Right Bracket and Hinge Installation

Step 2: Assemble the left bracket, right bracket, and equipment.

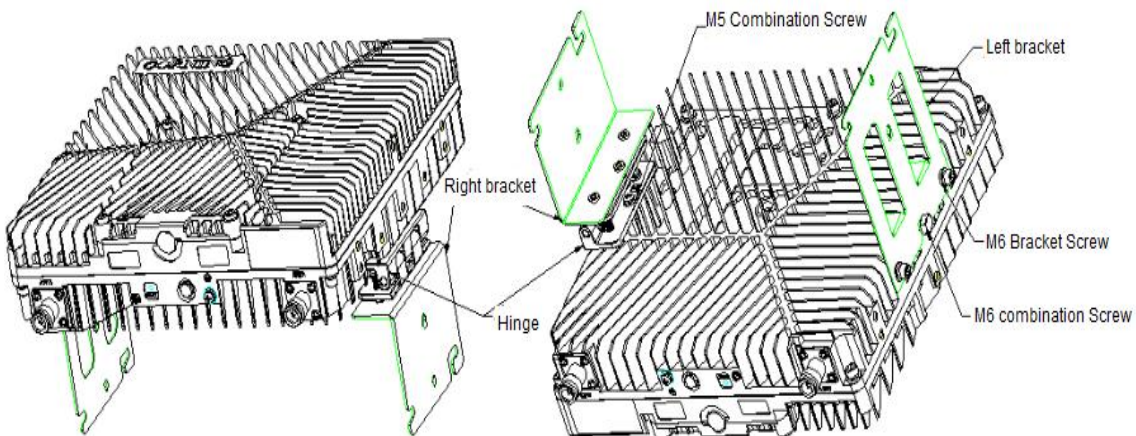


Figure 51. Installation of the Left and Right Brackets and Device Bracket

**c) Bracket installation**

Drill holes on the ceiling at a distance of 200 mm\*160 mm according to the size of the mounting holes of bracket, then drive the expansion bolts into the holes, install the mounting bracket, pad gaskets, and lock nuts.

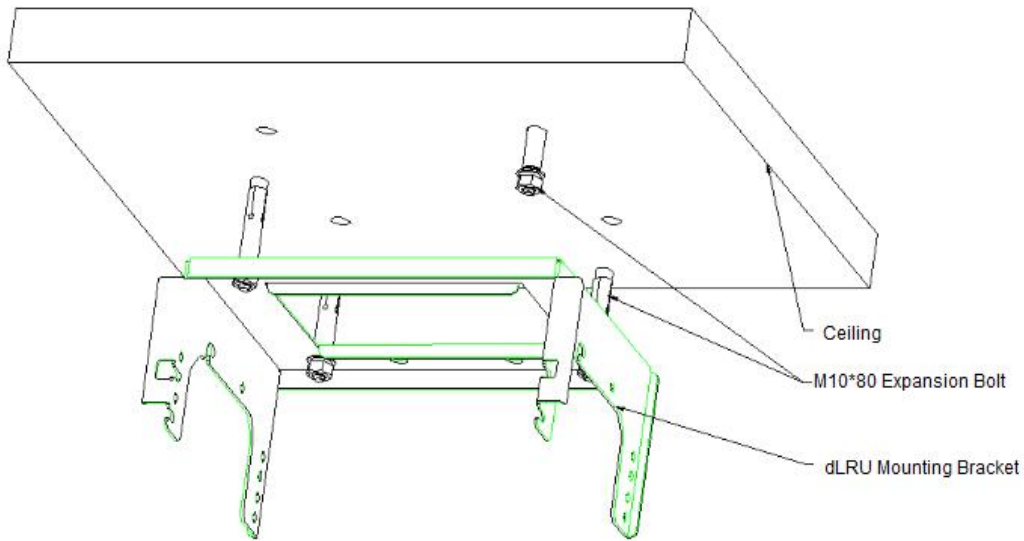


Figure 52. Mounting Bracket Installation Diagram

**d) Combiner Installation:**

Tighten the M6 bracket screws in advance in the left and right screw holes on the upper side of the combiner (the upper side with two RF outlets). Then hang it in the mounting bracket as shown in Figure 53 and fasten it with M6\*15 pentagonal combination screws.

\*Note: If the device is installed outdoors, please connect the RF jumper cable before installing the combiner and take waterproof measures for the connector in advance.

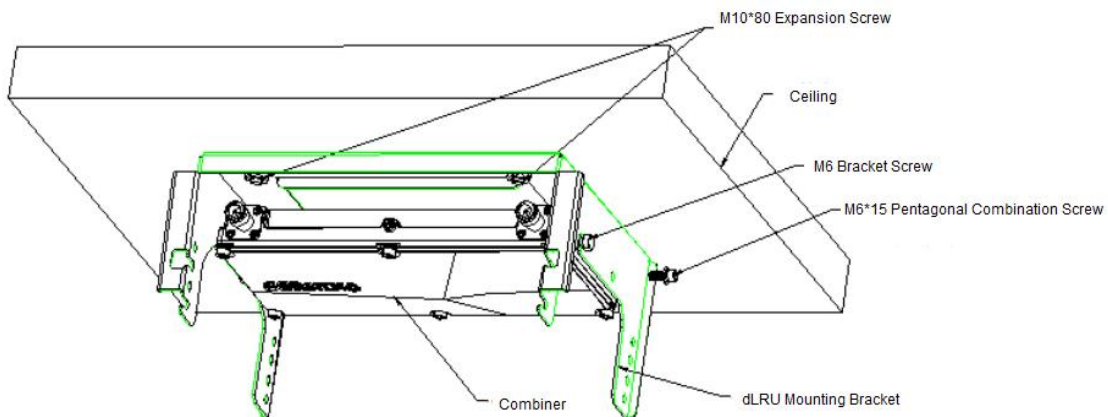


Figure 53. Combiner Installation Diagram

➤ **Low-Band dLRU installation**

Tighten the M6 bracket screws on the left and right sides of the upper part of the dLRU, and then hang the device on the mounting bracket.

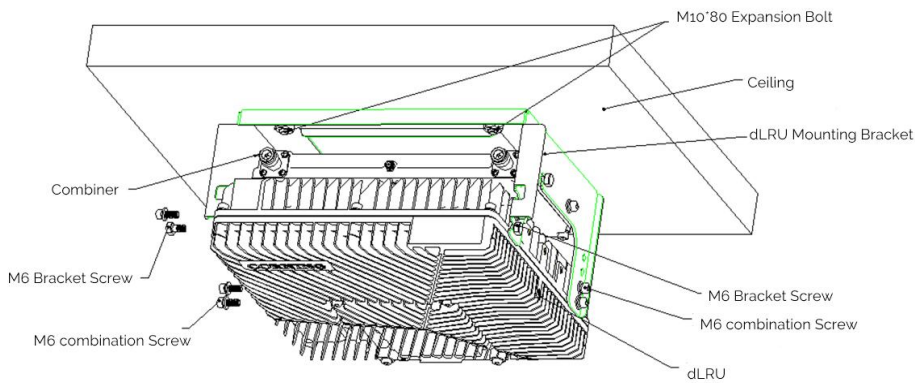


Figure 54. Low-Band dLRU Installation

➤ **Hang the combination**

Hang the combination of the left and right brackets with four M6 bracket screws, and then use M6×15 pentagonal combination screws to fasten the second dLRU.

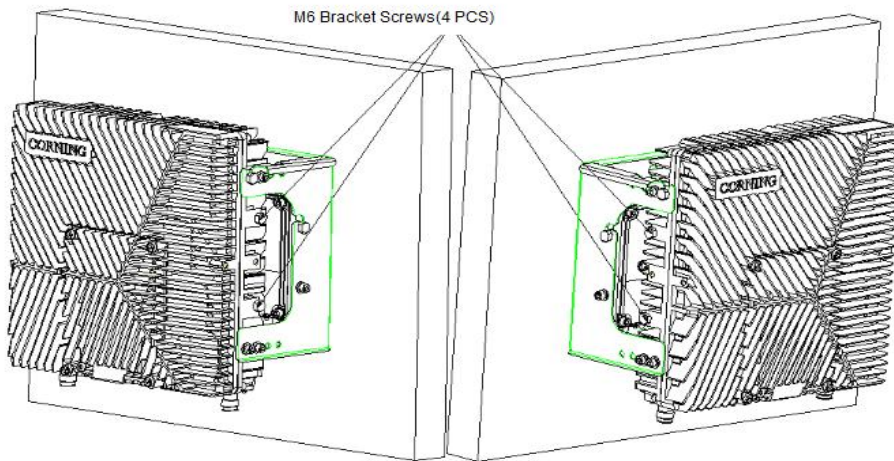


Figure 55. M6 Bracket Screw Holes

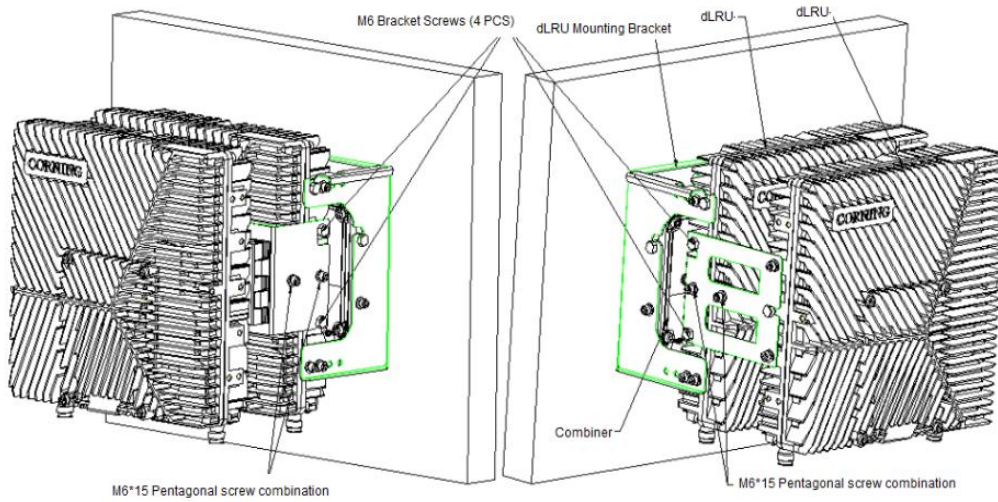


Figure 56. dLRU Installation Diagram

### 2.5.2.3 Pole Installation

#### a) Single unit pole installation

The pole-mounting installation of all devices is the same as the wall-mounting installation above, except that the equipment is installed on a pole. As shown in Figure 53, M10 bolts, M10 nuts, elastic flat washers, and pole mounting brackets are required. They can be installed on poles from  $\phi 65$  mm to  $\phi 140$  mm depending on the length of the M10 bolts selected (the recommended length is 12 cm and 20 cm).

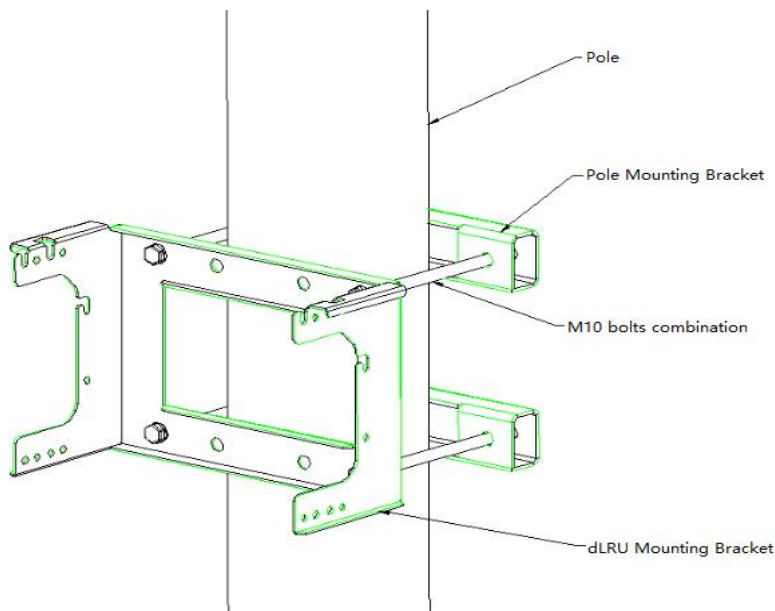


Figure 57. Pole-Mounting Diagram

Tighten the M6 mounting screws on the left and right sides of the upper part of the device, then hang the device on the corresponding positions of the dLRU mounting bracket, and finally tighten the M6 combination screws.

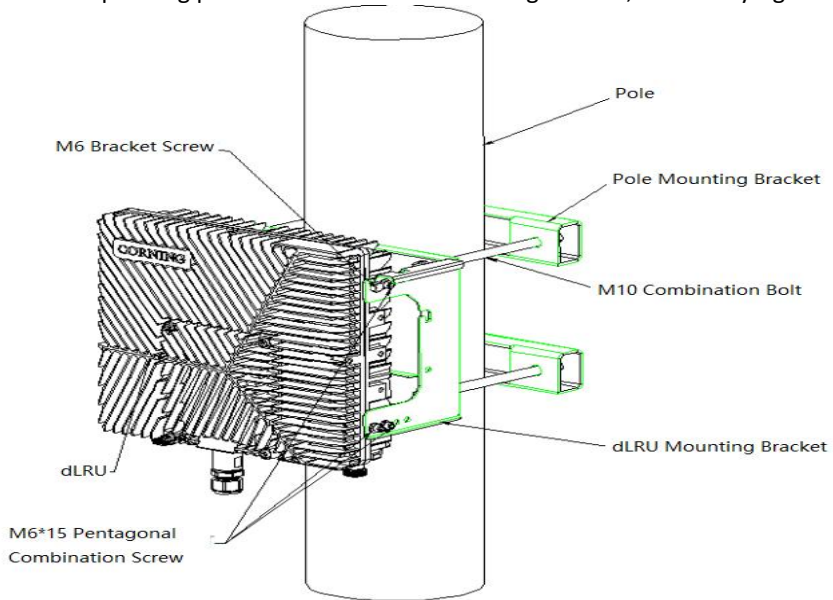


Figure 58. Diagram of Pole Installation for Single Unit

**b) Dual unit pole installation**

Before installing the bottom device, please install the combiner first. Put the M6 bracket screws on the left and right sides of the combiner, and then hang the combiner on the mounting bracket. Finally, tighten the M6×15 pentagonal combination screws, as shown in the Figure below.

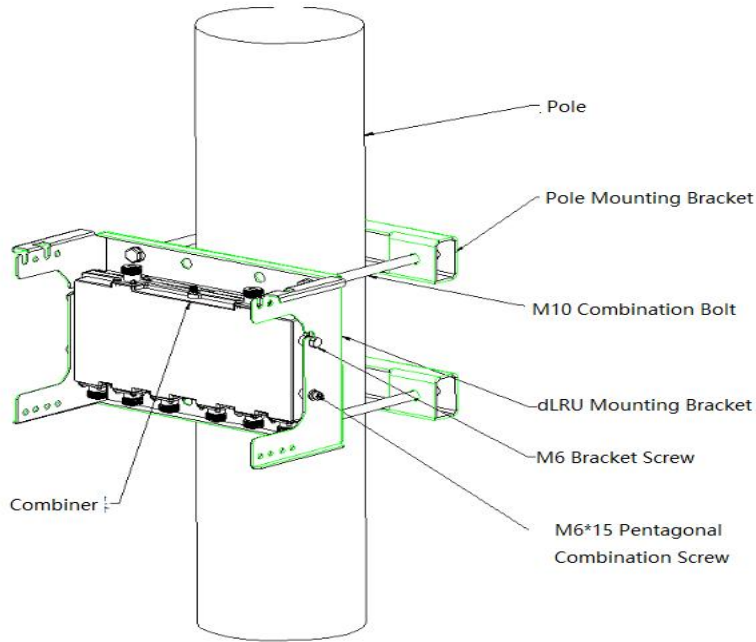


Figure 59. Installation Diagram of the Combiner

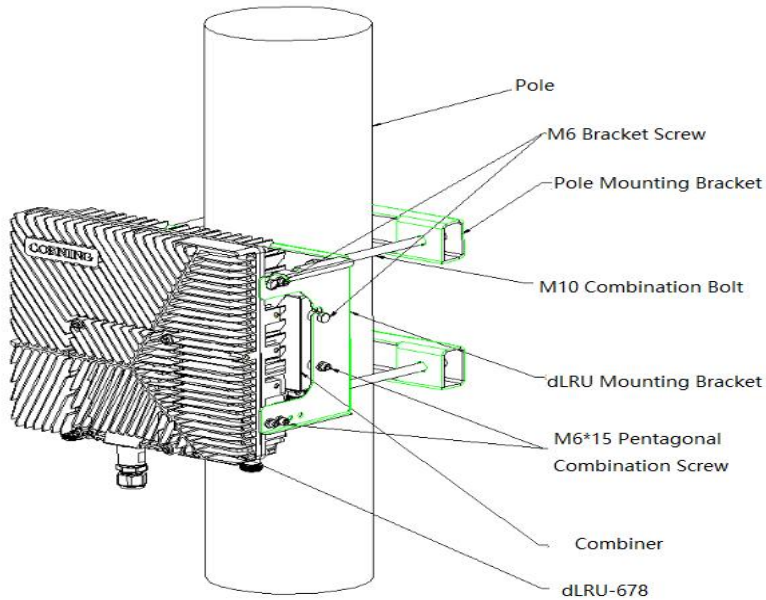


Figure 60. Installation Diagram of dLRU Pole



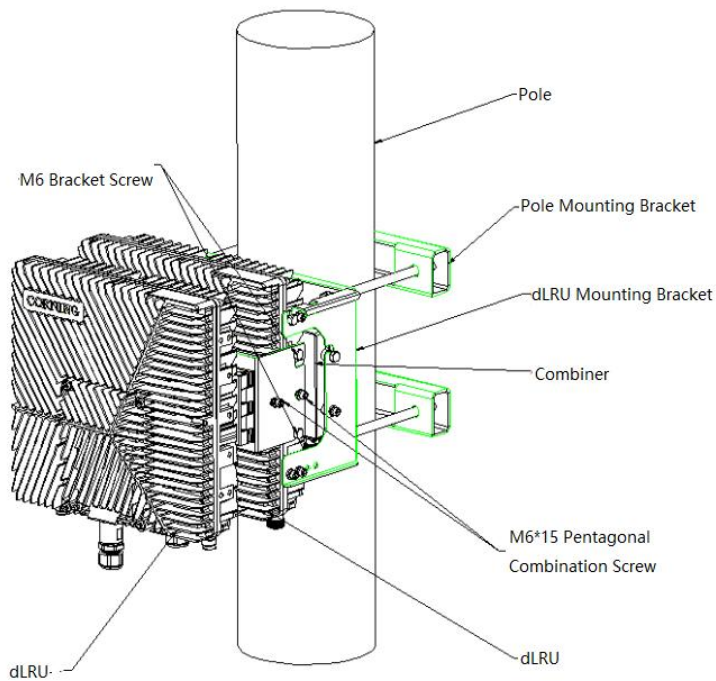


Figure 61. Dual Unit Installation Diagram

### 2.5.3 Power+ SPF+ Cable

**For each unit,** open the cover by removing 4 screws with penta head driver:

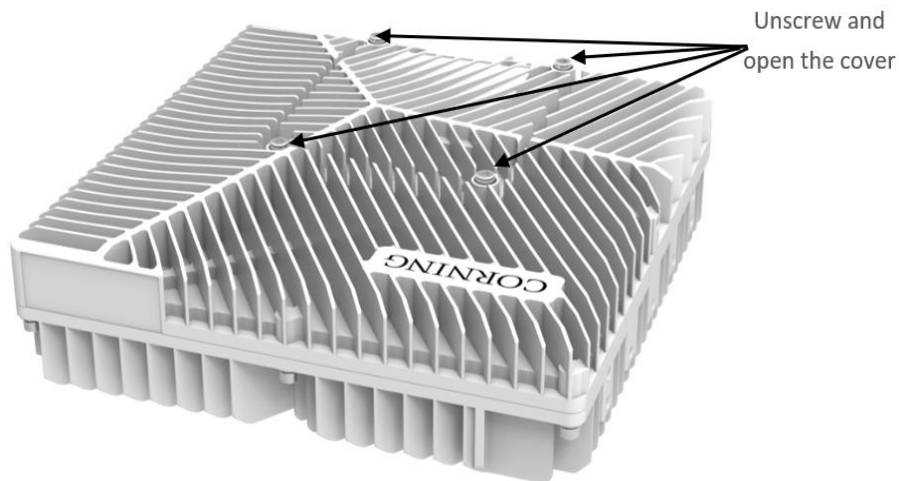


Figure 62. Connection of Two Units and a Combiner

**For each unit,** connect the internal (undercover) cables as follows:

- Power socket, see Figure 63.
- SFP+, see Figure 64 and Figure 65.

The voltage range of the device power supply is DC36V ~ 57V.

Remove the rubber plug from the SFP+ connector located in the LRU RF port.

Connect the SFP+ LC/UPC SM DX optical cable to the LRU optical connector.

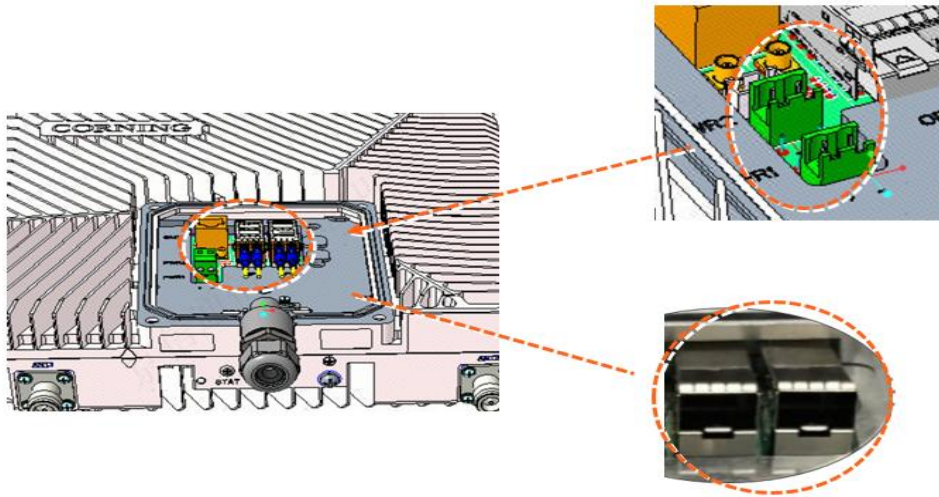


Figure 63. Power Socket



Figure 64. SFP+ Pluggable Transceivers



Figure 65. Fiber Cable

Remove Rubber Plug from the Port and Insert the SFP+ Pluggable Transceivers (hot-pluggable optical transceiver module) into it.

## 2.5.4 Connect the Ground and Antenna Cables

### 2.5.4.1 Ground

\*Note: Ground according to local regulations.

The following additional (not supplied) tools and components are required for connecting the system ground:

- The size of ground shall meet the local and national installation requirements. The provided ground lug supports 14 AWG to 10 AWG stranded copper (or 12 AWG to 10 AWG solid) wire conductors.
- Use a wire-stripping tool to remove approximately 0.4 inch (10.9 mm) of the covering from the end of the ground.
- Insert the stripped end of the ground into the open end of the ground lug.
- Crimp the ground in the barrel of the ground lug. Verify that the ground is securely attached to the ground lug by holding and gently pulling on it.
- Prepare the other end of the ground and connect it to an appropriate ground point.

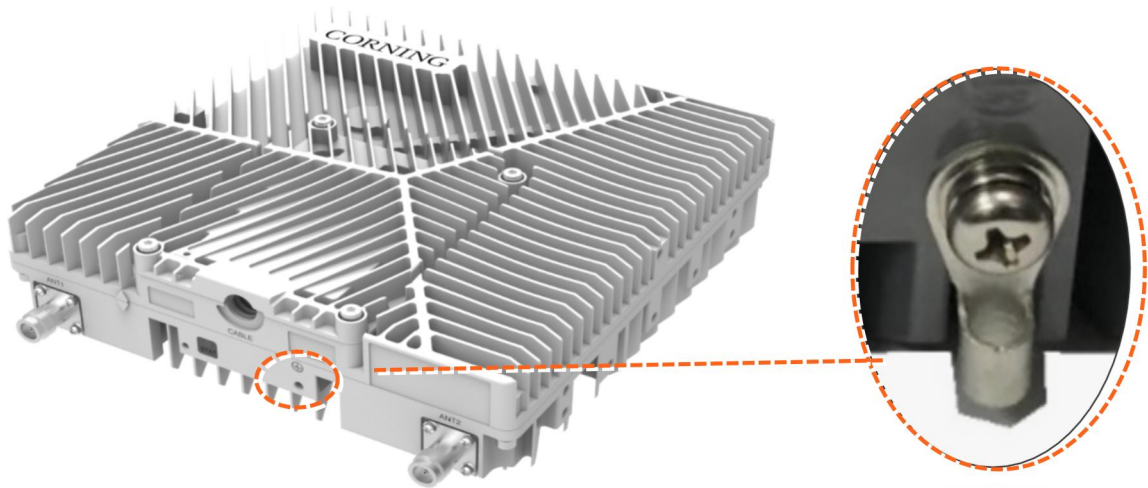


Figure 66. The Ground

### 2.5.4.2 Antenna

Connect the MRU male 4.3-10 Type duplexed RF ANT port to the broadband antenna(s) with proper cables.

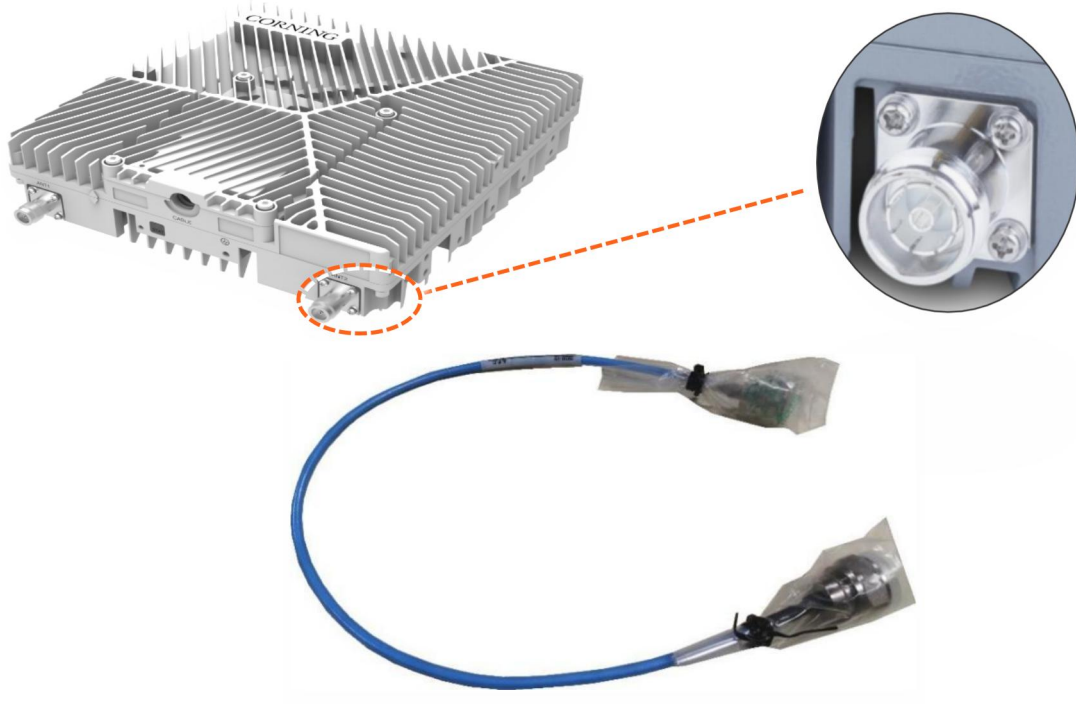


Figure 67. Antenna

**\*Notes:**

- 1. To avoid MIMO disruption, ensure that the antennas are connected correctly according to the combiner labels.**
- 2. There may be some configurations/use-cases which are not required for the combiner, as there is only one type of unit (either low or mid band).**

## 2.5.5 Combiner cables

Connect the Antenna cables.

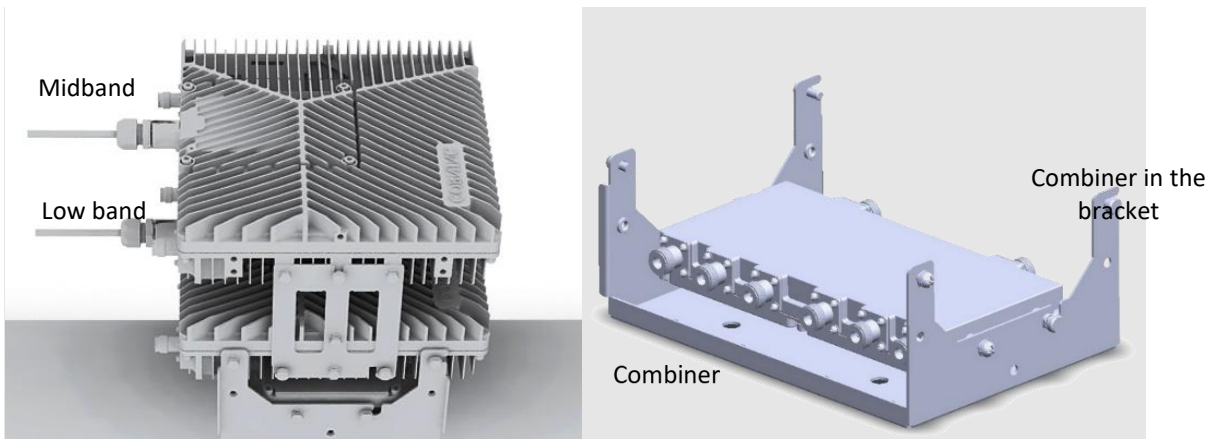


Figure 68. Combiner in the Bracket

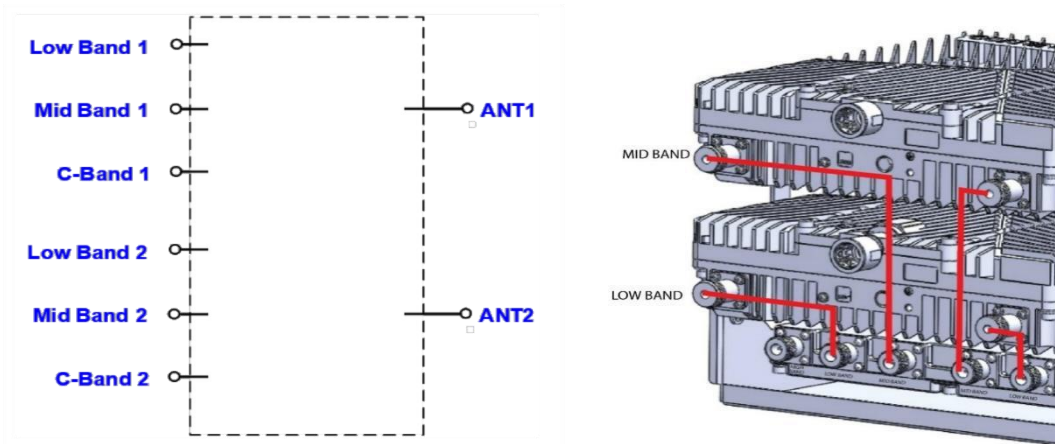


Figure 69. The Entire System Connection

\*Notes:

1. To avoid MIMO disruption, ensure that the antennas are connected correctly according to the combiner labels.
2. There may be some configurations/use-cases which are not required for the combiner as there is only one type of the unit (either low or mid band).