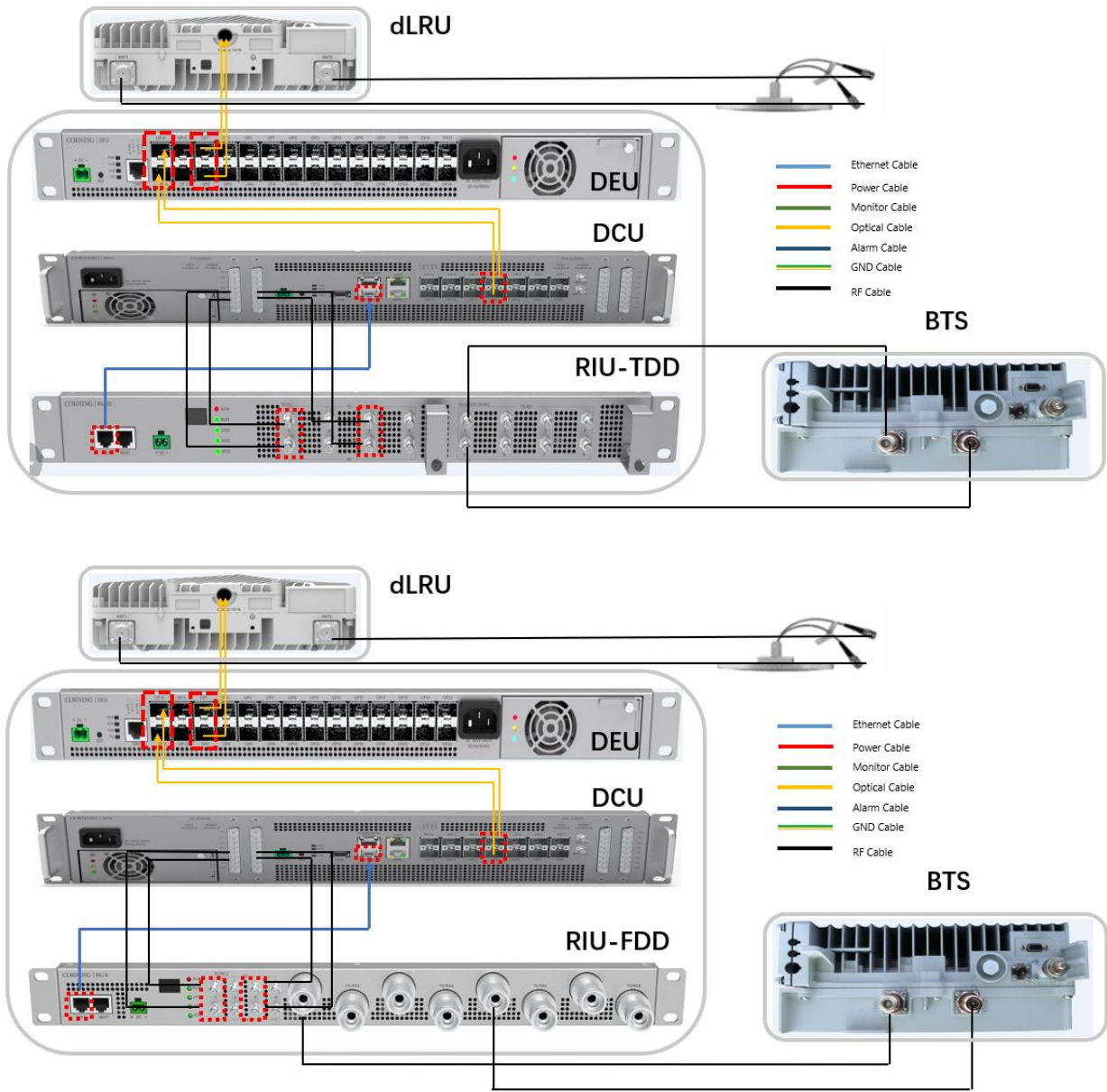
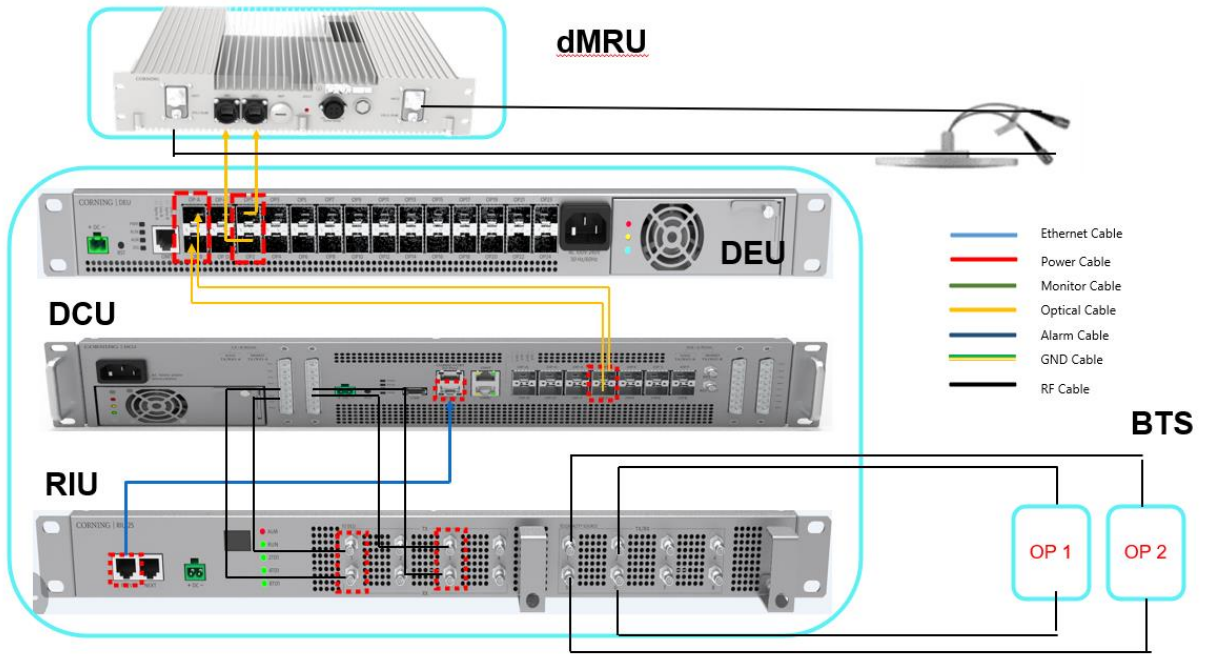


5.8 Case

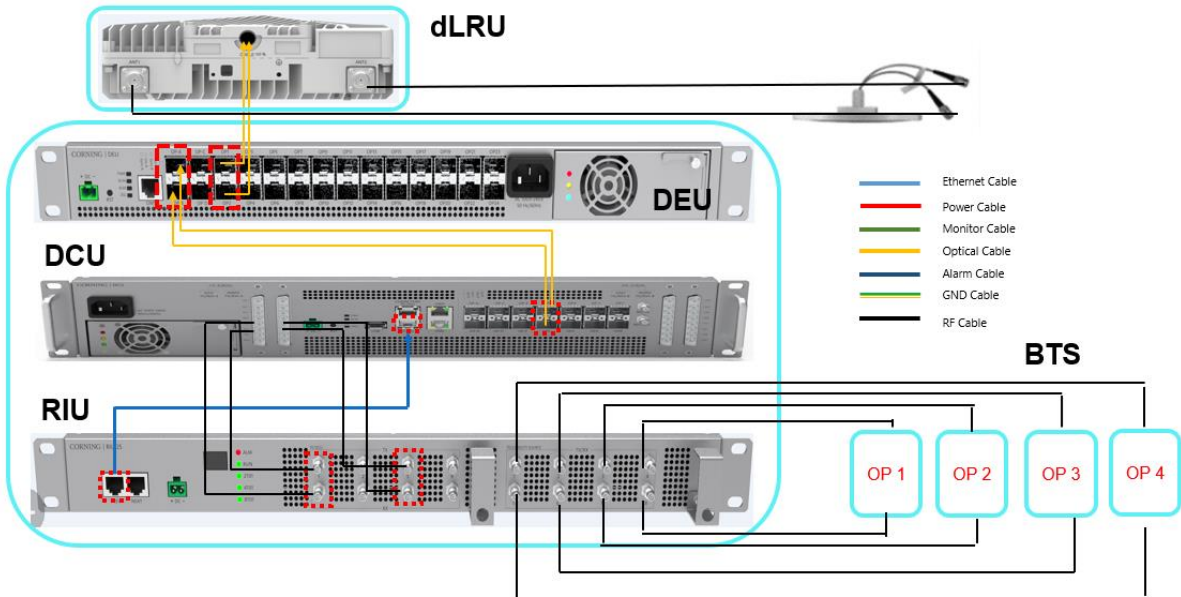
2x2 MIMO Case

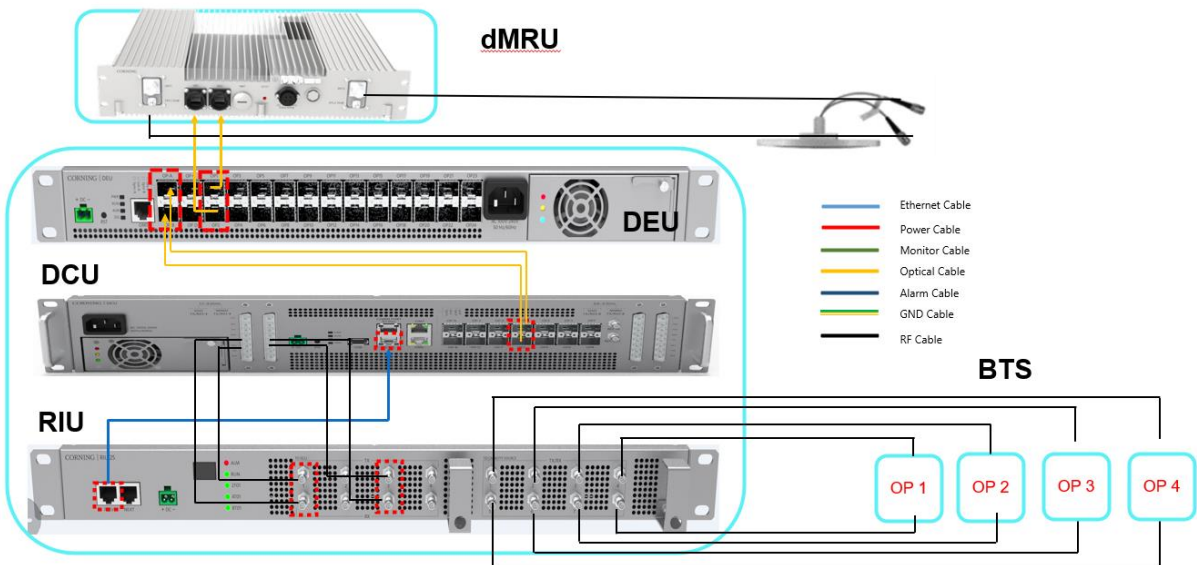
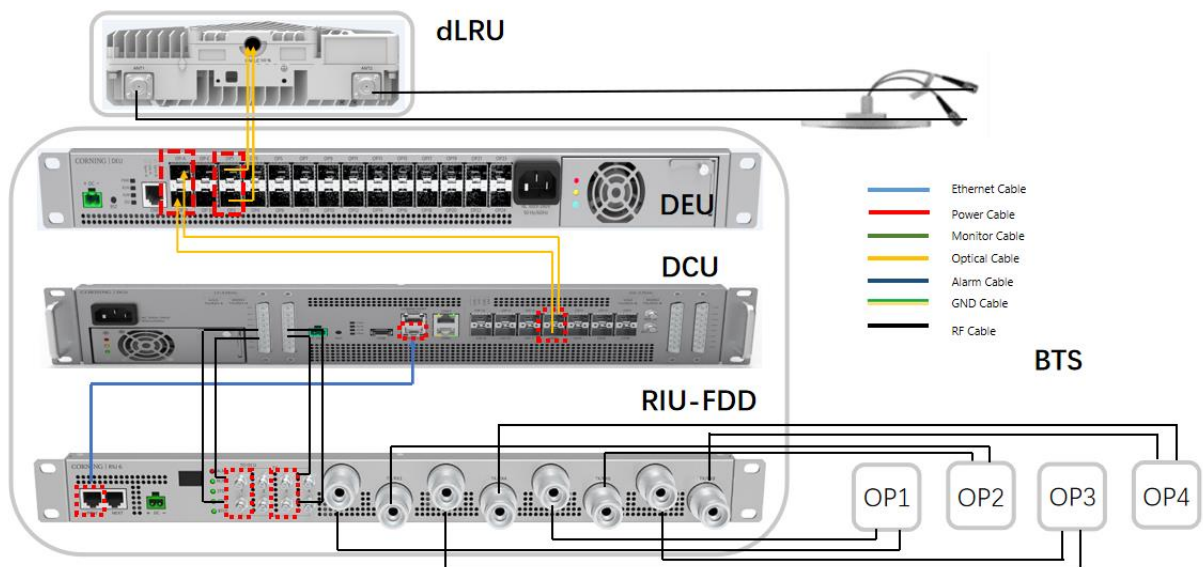


2TO1 2x2 MIMO Case



4TO1 2x2 MIMO Case





Refer to the table below for Everon™ 6000 Parameters.



Everon™ 6000
Parameters_Build

Release Version

SN	Unit	Version
1	RIU-TDD	23.4.1.11_Everon_6000_RIU_P2.V01.00.00.11
2	RIU-FDD	23.4.1.11_Everon_6000_RIU_P2.V02.00.00.05
3	DEU-25G	23.4.1.11_Everon_6000_DEU_P2.V01.00.03.87
4	DEU-10G	23.4.1.11_Everon_6000_DEU_P2.V02.00.03.
5	DCU	23.4.1.11_Everon_6000_DCU_P2.V01.00.03.83
6	dLRU-3.5	23.4.1.11_Everon_6000_dLRUH_P2.V01.00.04.92
7	dLRU-M	23.4.1.11_Everon_6000_dLRUM_P2.V02.00.04.06
8	dLRU-L	23.4.1.11_Everon_6000_dLRUL_P2.V02.00.04.03
9	dMRU-3.5	23.4.1.11_Everon_6000_dMRUH_P2.V01.00.03.51
10	dMRU-FDD	23.4.1.11_Everon_6000_dMRUF_P2.V02.00.00.46
11	dHRU-FDD	23.4.1.11_Everon_6000_dHRUF_P2.V01.00.01.68
12	System Version	23.4.1.11_Everon_6000_SYSTEM_P2.V01.04.03.38

6. APPENDIX: LED Functionality and Color Definition

Optical LED definition

		Green (SYNC)	Amber (LOS)
SFP Plug out	SFP Plug out	OFF	OFF
Optic Link Fail	1. Optic cable disconnected	OFF	ON
	2. SFP fail	OFF	ON
	2.1 SFP fault	OFF	ON
	2.2 SFP warning	OFF	ON
	2.3 SFP alarm	OFF	ON
Optic Link OK	3. CPRI link down	OFF	ON
	1. Optic cable connected	ON	ON
	2. SFP OK	ON	ON
CPRI Link OK	3. CPRI link down	ON	ON
	1. Optic cable connected	ON	OFF
	2. SFP OK	ON	OFF
	3. CPRI link up	ON	OFF

ALM/RUN/Power LED definition

LED	Description	Color
ALM	1. Alarm	Red
	2. Device detect (Identify and is controlled from DCU)	Red Flash (1Hz, 10s)
	3. No alarm	OFF
RUN	1. The system is up and running	Green Flash(1Hz)
	2. Software or hardware failure	OFF
Power	1. Power on	Green
	2. Power off	OFF



CORNING

**Corning Optical Communications LLC • 4200 Corning Place • Charlotte, NC 28216 USA
800-743-2675 • FAX: 828-325-5060 • International: +1-828-901-5000 • www.corning.com/opcomm**

Corning Optical Communications reserves the right to improve, enhance, and modify the features and specifications of Corning Optical Communications products without prior notification. A complete listing of the trademarks of Corning Optical Communications is available at www.corning.com/opcomm/trademarks. All other trademarks are the properties of their respective owners. Corning Optical Communications is ISO 9001 certified. © 2023 Corning Optical Communications. All rights reserved. LAN-3091-AEN / January 2023