

# Corning

---

## Mid-Power Remote Unit (MRU) User Manual

# Preface Material

## About This Manual

This user guide provides all the information necessary to understand the architecture and general installation procedures and requirements of Corning® ONE™ mid-power remote unit (MRU).

*Note: The commissioning procedure, monitoring and management capabilities and configuration options of the ONE wireless platform elements are described in a dedicated user manual (Corning ONE Wireless Platform HCM and Web Management User Manual).*

## Hardware

Corning warrants to the original purchaser (“Customer”) that for the duration of the warranty period, one (1) year, commencing on the date of shipment of the Hardware, unless otherwise agreed in writing by Corning (the “Hardware Warranty Period”), the Hardware furnished by Corning shall be free in all material respects from defects in material and workmanship, and shall conform to the applicable portions of the Specifications, as defined below (the “Hardware Warranty”).

If notified by Customer of any such defects in material or workmanship or nonconformity with applicable portions of the Specifications within the Hardware Warranty Period, Corning shall promptly, at its own election and expense, repair or replace any such Hardware proven to be defective under the terms of this Hardware Warranty.

Such repair or replacement shall be Customer’s sole remedy and Corning sole obligation in the event this Hardware Warranty is invoked. If any components comprising a part of the Hardware are replaced or repaired during the Hardware Warranty Period, the Hardware Warranty Period for such repaired or replaced components shall extend to the longer of (i) the balance of the Hardware Warranty Period or (ii) three (3) months from the date of repair or replacement. For purposes of this Warranty, “Specifications” shall mean the specifications and performance standards of the Products as set forth in documents published by Corning and delivered to Customer which contain technical specifications or performance standards for the Products.

If Customer invokes this Hardware Warranty, it shall notify Corning promptly of the claimed defect.

Customer will allow Corning to inspect the Hardware at Customer’s location, or to return the Hardware to Corning closest repair facility. For Hardware returned to Corning repair facility, Customer shall be responsible for payment of all transportation and freight costs (including insurance) to Corning’ repair facility, and Corning shall be responsible for all transportation and freight costs (including insurance) incurred in connection with the shipment of such Hardware to other repair facilities of Corning and/or its return to Customer.

Notwithstanding the foregoing, in no event will Corning be liable for damage to Products resulting from improper handling during or after shipment, misuse, neglect, improper installation, operation or repair (other than by authorized Corning personnel), alteration, accident, or for any other cause not attributable to defects in materials or workmanship on the part of Corning. Corning shall not reimburse or make any allowance to Customer for any labor charges incurred by Customer for replacement or repair of any goods unless such charges are authorized in advance in writing by Corning.

## Software Warranty

Corning warrants to the original purchaser ("Customer") that for the duration of the warranty period, one (1) year, commencing on the date of shipment of the Software, unless otherwise agreed in writing by Corning (the "Software Warranty Period"), the Software shall conform with, and perform the functions set forth in the Specifications, and shall be free from defects in material or workmanship (the "Software Warranty"). In the event the Software is proven to be defective under the terms of this Software Warranty, Corning shall correct such defects or failure and ensure that the Software conforms with, and performs the functions set forth in, the Specifications. Customer will allow Corning to inspect the Software at Customer's location or to return it to Corning's closest repair facility.

Notwithstanding the foregoing, Corning shall have no obligation under the Software Warranty if the Software is modified or used with hardware or software not supplied or approved by Corning or if the Software is subject to abuse, improper installation or application, accident, electrical or environmental over-stress, negligence in use, storage, transportation or handling.

Third-party software distributed with the Software may carry certain warranties which, to the maximum extent allowed by law, Corning hereby assigns, transfers and otherwise conveys to Customer, provided, however, that Corning itself provides no warranty of any kind, express, implied, statutory or otherwise, for any third-party software provided hereunder.

Corning does not warrant any hardware, software or services not provided by Corning.

THIS WARRANTY IS THE ONLY WARRANTY MADE BY CORNING AND IS IN LIEU OF ALL OTHER WARRANTIES, EXPRESS OR IMPLIED INCLUDING, BUT NOT LIMITED TO, THE IMPLIED WARRANTIES OF MERCHANTABILITY AND FITNESS FOR A PARTICULAR PURPOSE. CORNING SHALL NOT BE LIABLE FOR ANY OTHER DAMAGE INCLUDING, BUT

NOT LIMITED TO, INDIRECT, SPECIAL OR CONSEQUENTIAL DAMAGES ARISING OUT OF OR IN CONNECTION WITH FURNISHING OF GOODS, PARTS AND SERVICE HEREUNDER, OR THE PERFORMANCE, USE OF, OR INABILITY TO USE THE GOODS, PARTS AND SERVICE.

CORNING SALES AGENTS OR REPRESENTATIVES ARE NOT AUTHORIZED TO MAKE COMMITMENTS ON WARRANTY RETURNS.

## Returns

In the event that it is necessary to return any product against above warranty, the following procedure shall be followed:

1. Return authorization is to be received from Corning prior to returning any unit. Advise Corning of the model, Serial number, and discrepancy. The unit may then be forwarded to Corning, transportation prepaid. Devices returned collect or without authorization may not be accepted.
2. Prior to repair, Corning will advise the customer of our test results and any charges for repairing customer-caused problems or out-of-warranty conditions etc.
3. Repaired products are warranted for the balance of the original warranty period, or at least 90 days from date of shipment.

## Limitations of Liabilities

Corning's liability on any claim, of any kind, including negligence for any loss or damage arising from, connected with, or resulting from the purchase order, contract, quotation, or from the performance or breach thereof, or from the design, manufacture, sale, delivery, installation, inspection, operation or use of any equipment covered by or furnished under this contact, shall in no case exceed the purchase price of the device which gives rise to the claim.

Except as expressly provided herein, Corning makes no warranty, expressed or implied, with respect to any goods, parts and services provided in connection with this agreement including, but not limited to, the implied warranties of merchantability and fitness for a particular purpose. Corning shall not be liable for any other damage including, but not limited to, indirect, special or consequential damages arising out of or in connection with furnishing of goods, parts and service hereunder, or the performance, use of, or inability to use the goods, parts and service.

## Reporting Defects

The units were inspected before shipment and found to be free of mechanical and electrical defects. Examine the units for any damage that may have been caused in transit. If damage is discovered, file a claim with the freight carrier immediately. Notify Corning as soon as possible in writing.

Note: Keep all packing material until you have completed the inspection

## Warnings and Admonishments

There may be situations, particularly for workplace environments near high-powered RF sources, where recommended limits for safe exposure of human beings to RF energy could be exceeded. In such cases, restrictive measures or actions may be necessary to ensure the safe use of RF energy.

The equipment has been designed and constructed to prevent, as far as reasonably, practicable danger. Any work activity on or near equipment involving installation, operation or maintenance must be, as far as reasonably, free from danger.

Where there is a risk of damage to electrical systems involving adverse weather, extreme temperatures, wet, corrosive or dirty conditions, flammable or explosive atmospheres, the system must be suitably installed to prevent danger.

Equipment provided for the purpose of protecting individuals from electrical risk must be suitable for the purpose and properly maintained and used. This covers a range of activities including lifting, lowering, pushing, pulling, carrying, moving, holding or restraining an object, animal or person from the equipment. It also covers activities that require the use of force or effort, such as pulling a lever, or operating power tools.

Where some of the above mentioned activities are required, the equipment must be handled with care to avoid being damaged.

Observe standard precautions for handling ESD-sensitive devices. Assume that all solid-state electronic devices are ESD-sensitive. Ensure the use of a grounded wrist strap or equivalent while working with ESD-sensitive devices. Transport, store, and handle ESD-sensitive devices in static-safe environments.

## Regulatory Compliance Information



### WARNINGS!

- This is **NOT** a **CONSUMER** device. It is designed for installation by **FCC LICENCEES** and **QUALIFIED INSTALLERS**. You **MUST** have an **FCC LICENSE** or express consent of an FCC Licensee to operate this device. Unauthorized use may result in significant forfeiture penalties, including penalties in excess of \$100,000 for each continuing violation.
- **ANTENNAS:** Use only authorized and approved antennas, cables and/or coupling devices! The use of unapproved antennas, cables or coupling devices could cause damage and may be of violation of FCC regulations. The use of unapproved antennas, cables and/or coupling devices is illegal under FCC regulations and may subject the user to fines. See section 3.6 of this document.

## RF Safety

To comply with FCC RF exposure compliance requirement, adhere to the following warnings:

**Warning!** Antennas used for this product must be fixed mounted on indoor permanent structures, providing a separation distance of at least 100 cm from all persons during normal operation.

Warning! Each individual antenna used for this transmitter must be installed to provide a minimum separation distance of 100 cm or more from all persons and must not be co-located with any other antenna for meeting RF exposure requirements.

**Warning!** Antenna gain should not exceed 12.5 dBi.

**Warning!** The design of the antenna installation needs to be implemented in such a way so as to ensure RF radiation safety levels and non-environmental pollution during operation.



### ATTENTION!

Compliance with RF safety requirements:

- Corning products have no inherent significant RF radiation
- The RF level on the downlink is very low at the downlink ports. Therefore, there is no dangerous RF radiation when the antenna is not connected.

CAUTION!

Use of controls, adjustments or performance of procedures other than those specified herein may result in hazardous radiation exposure.

## Laser Safety

- Fiber optic ports of the Corning ONE™ Wireless Platform system emit invisible laser radiation at the 1310/1550 nm wavelength window.
- External optical power is less than 10 mW, Internal optical power is less than 500 mW.
- To avoid eye injury never look directly into the optical ports, patchcords or optical cables. Do not stare into beam or view directly with optical instruments. Always assume that optical outputs are on.
- Only technicians familiar with fiber optic safety practices and procedures should perform optical fiber connections and disconnections of ONE devices and the associated cables.
- Corning ONE Wireless platform MRU has been tested and certified as a Class 1 Laser product to IEC/EN 60825-1 (2007). It also meets the requirements for a Hazard Level 1 laser product to IEC/EN 60825-2: 2004 to the same degree.
- Corning ONE Wireless platform MRU complies with 21 CFR 1040.10 and 1040.11 except for deviations pursuant to Laser Notice NO. 50 (2007).

## Care of Fiber Optic Connectors

- Do not remove the protective covers on the fiber optic connectors until a connection is ready to be made. Do not leave connectors uncovered when not connected.
- The tip of the fiber optic connector should not come into contact with any object or dust.

## Company Certification

ISO 9001: 2000 and ISO 13485: 2003

## Licensee Contact Information

Industrial Boosters may only be used by FCC licensees or those given express (individualized) consent of license. Corning Optical Communications Wireless certifies all of the VARs listed as licensed installers for Corning. For the list of licensed VARs, please contact the Tech Support Hotline: (US) 410-553-2086 or 800-787-1266.

# Table of Contents

Preface Material.....	2
About This Manual .....	2
Hardware .....	2
Software Warranty .....	3
Returns .....	3
Limitations of Liabilities .....	4
Reporting Defects .....	4
Warnings and Admonishments .....	4
Regulatory Compliance Information .....	4
RF Safety.....	5
Laser Safety.....	5
Company Certification.....	5
Licensee Contact Information.....	5
Table of Contents.....	6
1 Introduction.....	9
1.1 Key Features and Capabilities .....	9
1.2 General System Specifications and Requirements.....	10
1.2.1 Environmental and Regulatory Specifications.....	10
1.2.2 Safety and Regulatory Approvals .....	10
1.2.3 Power Specifications .....	10
1.3 System Architecture.....	11
1.4 System Monitoring and Management.....	12
2 MRU Interfaces.....	13
3 Installation Guidelines.....	16
3.1 Site Considerations.....	16
3.2 Safety Guidelines.....	16
3.3 Installation Requirements.....	16
3.3.1.1 Rack Safety Instructions .....	17
3.3.1.2 Rack Installation Guidelines.....	17
3.4 Power Requirements .....	17
3.4.1 Power Safety Instructions .....	17
3.4.2 Types of Power Supplies .....	17
3.4.3 Circuit Breakers.....	17
3.4.4 Cable Routing.....	18

3.5	RF Coaxial Cable Guidelines .....	18
3.5.1	General RF Cable Installation Procedures.....	18
3.5.2	RF Rules .....	18
3.5.3	Coax Cable Lengths and Losses.....	18
3.6	Antenna Specifications and Guidelines .....	20
3.6.1	Authorized Antennas and Required Specifications .....	20
3.6.2	General Installation Guidelines .....	20
3.7	Fiber Optic Requirements .....	21
3.7.1	Authorized Optic Cables .....	21
3.7.2	Fiber Optic Rules.....	21
3.8	Grounding Requirement.....	21
3.9	Manual Handling .....	21
4	Installation.....	22
4.1	Unpacking and Inspection.....	22
4.2	Mounting the MRU .....	23
4.2.1	Rack Installation .....	23
4.2.2	Wall Mount Installation.....	24
4.2.2.1	Unpacking and Inspection.....	24
4.2.2.2	Mounting MRU on Wall.....	25
4.2.3	Outdoor Installation .....	27
4.2.3.1	Items Required for Outdoor Installation.....	27
4.2.3.2	Pre-Installation Procedures.....	28
4.2.3.3	Install MRU in Cabinet .....	29
4.3	Grounding MRU Chassis .....	34
4.4	Fiber Connections.....	35
4.5	RF Antenna Connections .....	36
4.6	External Alarm Connections.....	36
4.7	Power Connections.....	38
4.7.1	AC Models.....	38
4.7.2	DC Models.....	38
4.7.2.1	CLASS2 Connector (Remote Feed).....	38
4.7.2.2	CLASS1 Connector (Local Plant Feed).....	40

4.8	Verifying Normal Operation.....	41
5	Appendix A: Specifications.....	42
	Supported Services.....	42
	RF Parameters.....	42
	Coupling Specifications.....	43
	Environmental.....	43
	Standards and Approvals.....	43
	Optical.....	43
	Physical Specifications.....	44
6	Appendix B: Ordering Information.....	45
	MRU Assembly Configurations.....	45
	MRU Stand-alone Modules.....	45
	Accessories.....	45
	Cable Assembly.....	46



# 1 Introduction

The MRU is a mid-power (2 W) remote solution for the Corning ONE™ Wireless Platform system. The MRU provides remote indoor and outdoor coverage. It is a fiber-fed, compact and scalable multi-service solution designed to complement the Corning ONE Wireless platform by providing complete RF open space coverage for large-scale public venues such as campus applications.

The MRU consists of a compact enclosure that houses the RF modules, power elements and the required interfaces, supporting various configurations of three, four and five SISO services. It enables multiple wireless technologies and operator services to be distributed over a single broadband infrastructure. The MRU can be deployed in new sites or alongside existing lower power RAU/RAU5 remotes, sharing a common headend and element management system. Alongside Corning ONE Wireless Platform deployments, the MRU provides a comprehensive indoor and outdoor coverage solution for varying site requirements, supporting everything from high-rise buildings and campus topologies to stadiums and airports.

Management and configuration options are provided for each MRU service via a Web session to the headend control module (HCM). The HCM enables centralized, single-source local and remote management of all system elements.



Figure 1-1 Mid-Power Remote Unit (MRU)

## 1.1 Key Features and Capabilities

- **Multi-frequency / multi-service platform** – supports up to six SISO bands. Accommodates GSM, UMTS, LTE and more.
- **Multi-operator optimized platform** - services from a number of operators can be distributed by the same unit.
- **Cost effective higher power** – optimizes and reduces the number of antennas required to cover open areas by offering up to 33 dBm (2W) composite power per frequency band.
- **Operator grade performance** – advanced signal handling, RF filtering and management ensures operator grade performance.
- **Optic fiber savings** - all services routed to an MRU unit are routed over a single optic fiber pair
- **Design and deployment flexibility** – MRU remote unit available in AC or DC power supply options. Antenna splitting schemes are possible due to the higher power output capability.
- **Modular and Scalable Design** – modular design enables adding new wireless services easily and cost-effectively without disruption to workspaces or existing services. Supports external 2.5 GHz RF source.
- **Simple installation and maintenance** – all connections and status LEDs located on the front panel. MRU is modular, hot swappable and field upgradable.
- **Management and control** – alarm forward to NOC or standard element management system (EMS) via SNMP, software controlled output power and optical link auto gain control.

## 1.2 General System Specifications and Requirements

### 1.2.1 Environmental and Regulatory Specifications

	Operating	Storage
Temperature	-40° C to +65° C (-40°F to 149°F)	-30° to 85°C (-22° to 185°F)

Table 1-1. Temperature and Humidity Specifications

### 1.2.2 Safety and Regulatory Approvals

Regulation/Standard Category	Approval
Laser Safety	FDA/CE 21 CFR 1040.10 and 1040.11 except for deviations pursuant to laser notice no. 50 and IEC 60825-1
EMC	FCC 47 CFR Part 15, 22, 24, 27
Safety	UL 60950 IEC 60825-1:2007 IEC 60825-2:2010 CAN/CSA-C22.2 No.60950-1-03
NEBS	GR-63, GR-1089

Table 1-2. Safety and Regulatory Approvals

### 1.2.3 Power Specifications

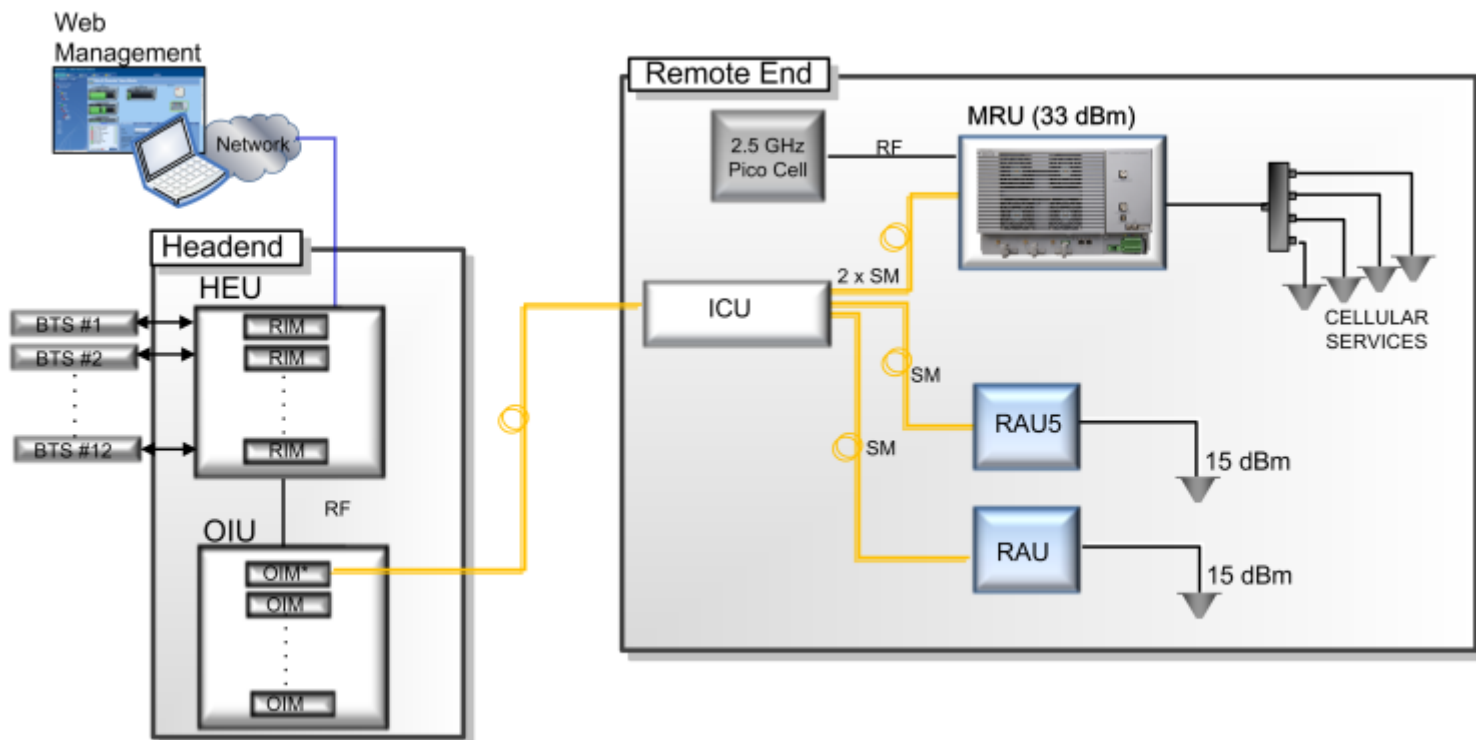
Power Spec	Description
Power consumption (max.)	360 W (for fully loaded chassis)
AC: Power input	100-240 VAC/50-60 Hz
Max. current consumption	5A
DC: Power input	DC class 1 (Local feed): 48 VDC (40-60 VDC) 9A max DC class 2 (Remote feed): 24VDC/48VDC (20VDC – 60VD)1.75A max per pair Power consumption per pair: 50 W

Table 1-3. MRU Power Specifications

### 1.3 System Architecture

Figure 1-2 illustrates the MRU system architecture. In the downlink, at the headend, the BTS/BDA signal is conditioned at the headend unit (e.g. integrated headend unit IHU), by the service specific radio interface modules (RIM), ensuring a constant RF level. The conditioned signals are then converted by the optical interface modules (OIM) to an optical signal for transporting over single-mode fiber to the MRU at the remote location. In the uplink, the process is reversed.

All mobile services are combined and distributed through a single antenna port over the broadband antenna infrastructure installed at the remote locations.



*\*Mixed mode is supported so that a single OIM supports MRU and other remote types (e.g. RAU5)*

Figure 1-2. System Architecture

## 1.4 System Monitoring and Management

The MRU is centrally managed via the headend control module SW management application (v1.6 and higher).

Figure 1-3 shows the management tabs of the selected MRU unit. Refer to the HCM and Web Management User Manual (v1.6 and higher) for information on how to configure and manage the MRU remote unit.

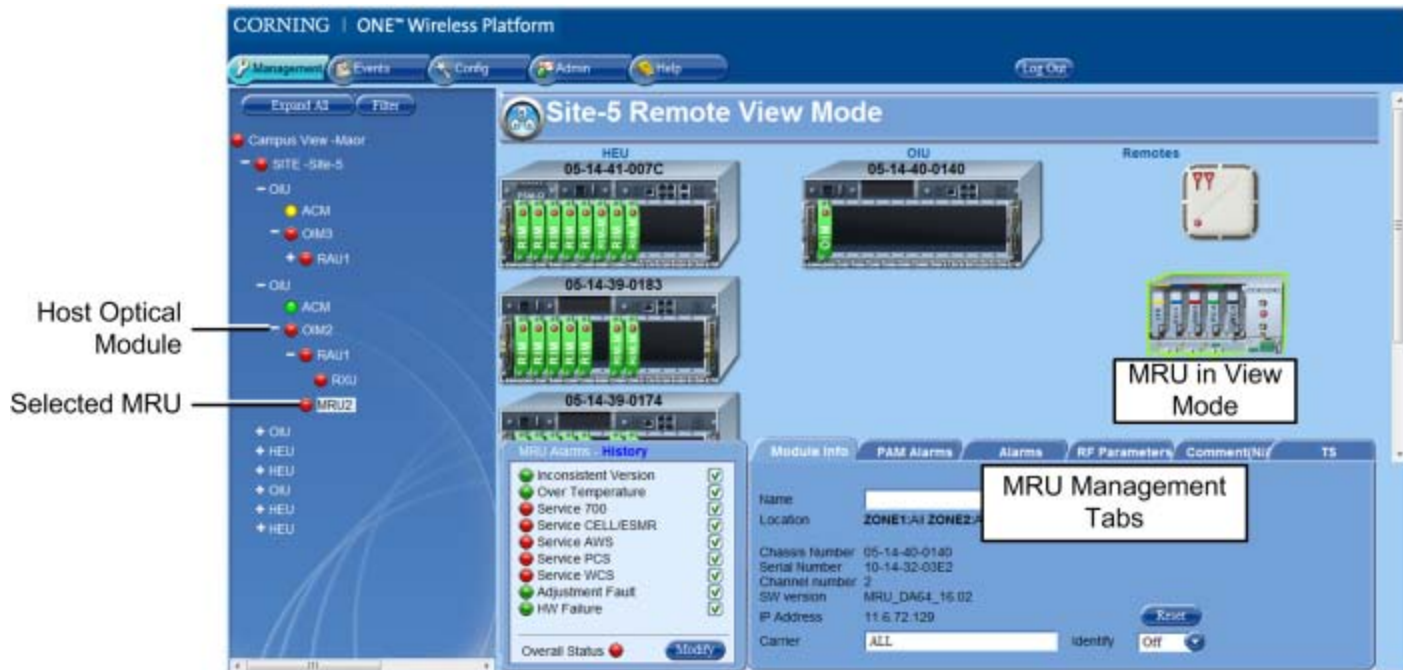


Figure 1-3. Example of MRU Management GUI

## 2 MRU Interfaces

This chapter provides detailed descriptions of the MRU chassis and main modules and interfaces. This includes port and LED interface descriptions. The MRU comprises the following main modules:

- **Power amplifier modules (PAM)** – internal service specific power amplifier module that interfaces to an optical interface module (OIM) at the headend site via an SMF pair and supports one service. MRU supports up to five SISO bands. The PAM provides the additional amplification on the DL signals routed from the OIM towards the multiplexer; PAMs are pre-installed in designated slots according to supported band.
- **Multiplexer** – combines the UL and DL RF signals of the supported services in addition to external RF signal (future option for connecting to external 2.5 GHz signal source) while providing the proper filtering into a single duplexed antenna port.
- **Power entry module (PEM)** - Local AC or Remote DC power feed (model dependent);
- **Fan module (FAM)** – integrated fan module comprised of four fans which are also monitored via the web GUI

The MRU includes front panel interfaces (e.g. antenna, F/O connections and LED status indicators) as well as status indicators per each internal module (which are accessed by opening the cabinet door). The following sections provide details on the front panel and internal module interfaces.



Figure 2-1 MRU Main Modules

The MRU front panel includes the RF and F/O interfaces in addition to the system level status LEDs and service maintenance ports. The internal PAM modules each include a PWR/STS LED.

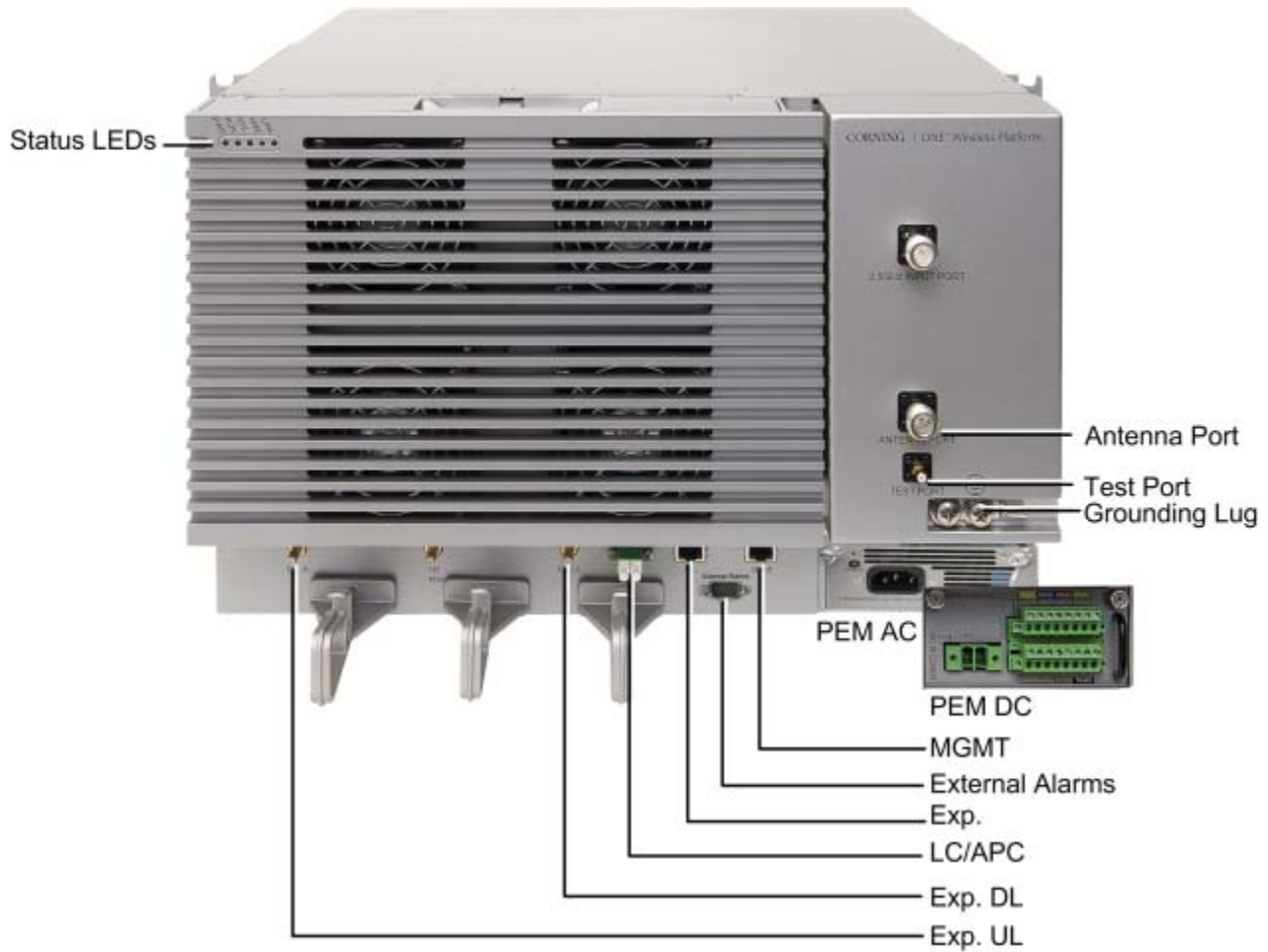


Figure 2-2. MRU External Interfaces

Table 2-1 and Table 2-2 provide a description of the MRU interface ports and LED status indicators.

Port	Description
ANTENNA PORT	Min DIN 4.3-10 duplexed RF antenna port
TEST PORT	QMA coupling test port used for UL and DL measurements during system operation
2.5 GHz INPUT PORT	N/A (Future option); Min DIN 4.3-10 RF input port for 2.5 GHz external RF source
GND	One two-hole, standard barrel grounding lug
PEM Power Connector	Model dependant: AC models – AC connector connected to power source using provided AC power cable only DC models - two types of terminal block connectors: <ul style="list-style-type: none"> <li>• CLASS2 (default) – two “DC In” 8-pin terminal block connectors for remote feed: one pair for each PAM ( total of five pairs) and one pair for the FAM+OPTM; one RSV pair</li> <li>• CLASS1 – one “DC-In” 2-pin terminal block for local plant feed</li> </ul>

Port	Description
Exp. UL/DL	SMA RF ports for UL and DL connections to Add-On unit (supporting any band across the supported spectrum: 300 MHz to 3 GHz)
List. Mode	N/A
OPTIC	LC APC port for dual SMF fiber optic connection
MGMT	RJ-45 Ethernet connection for MRU local management connection
External Alarms	DB-9 female external alarm connector for external dry contact alarm connections
Exp.	RJ-45 Ethernet connection for Add-On local craft

Table 2-1. MRU Interface Ports

LED	Description
PWR	Steady green: Required power is supplied to MRU chassis Off: No power input detected
RUN	Blinking green: Unit is running and operational
	Rapid blinking green: 'Identify' feature has been enabled via the management GUI
	Off: No power input detected
STS	Steady green: Normal operation; overall status OK
	Steady red: Indicates generated alarm in unit
	Blinking red: 'Over temperature' alarm active.; Indicates temperature has exceeded threshold (with door open)  <i>Note: Temperature alarm is set as first priority and overrides any other alarm indicator.</i>
FAM	Steady green: All four fans are operating at normal speed (fan alarms clear)
	Steady red: Fault detected in at least one fan (fan alarm set)
LINK	Steady green: Optical link level from optical module above normal threshold
	Steady red: Optical link level is lower than Normal threshold
(PAM)	Steady green: Power and status of Power Amplifier Module OK. No alarms active.
	Steady red: One or more alarms are active.

Table 2-2. MRU LED Descriptions



# 3 Installation Guidelines

This chapter provides installation guidelines for the Corning ONE™ wireless platform MRU. The following installation rules are based on the assumption that the site survey and installation planning (including power requirements) have been completed. This includes planning the distribution of antennas to provide the required coverage, as well as planning the layout of the devices and cables in the telecom closet or shaft.

## 3.1 Site Considerations

- The distance between the MRU service antenna and the coverage area should correspond to LOS (Line of Sight) requirements for maximum coverage area
- The maximum fiber path loss is 5 dB
- The system delay of the optical system must be taken into consideration when there are neighboring BTS sites overlapping in coverage

## 3.2 Safety Guidelines

Before installing the equipment review the following safety information:

- Follow all local safety regulations when installing the equipment.
- Only qualified personnel are authorized to install and maintain the repeater.
- Ground specified equipment with the provided grounding bolt
- Do not use the grounding bolt to connect external devices.
- Follow electro-static discharge (ESD) precautions.
- Use low loss cables to connect the antennas

## 3.3 Installation Requirements

- Mounting surface shall be capable of supporting the weight of the equipment.
- In order to avoid electromagnetic interference, a proper mounting location must be selected to minimize interference from electromagnetic sources such as large electrical equipment.
- Working space available for installation and maintenance for each mounting arrangement.
- Ensure unrestricted airflow.
- Ensure grounding connector is within reach of the ground wire.
- Ensure a power source is within reach of the power cord and the power source has sufficient capacity.
- Where appropriate, ensure unused RF connectors are terminated.
- Do not locate the equipment near large transformers or motors that may cause electromagnetic interference.
- Reduce signal loss in feeder cable by minimizing the length and number of RF connections.
- Ensure the equipment is operated within the stated environment (refer to Appendix A: Specifications or unit datasheet).
- Where appropriate, confirm availability of suitably terminated grade of RF and optical fiber.
- Observe handling of all cables to prevent damage.



### 3.3.1.1 Rack Safety Instructions

The following guidelines are relevant to the rack installed units. Review the following guidelines to help ensure your safety and protect the equipment from damage during the installation.

- Only trained and qualified personnel should be allowed to install or replace this equipment.
- The equipment has been designed to operate at the temperature range as stated in the product specifications. Verify that ambient temperature of the environment does not exceed the maximum MRU operating temperature of 65°C (149° F)
- **IMPORTANT!** If installed in a closed or multi-unit rack assembly, the operating ambient temperature of the rack environment may be greater than the room ambient. Therefore, ensure that the installation environment complies with the maximum MRU operating temperature.
- To maintain a low center of gravity, ensure that heavier equipment is installed near the bottom of the rack and load the rack from the bottom to the top.
- Ensure that adequate airflow and ventilation within the rack and around the installed components so that the safety of the equipment is not compromised. It is recommended to allow for at least about 2 cm of airspace between devices in the rack.
- Verify that the equipment is grounded as required – especially in installations using supply connections other than direct connections to the branch circuit (e.g. use of power strips).

### 3.3.1.2 Rack Installation Guidelines

- To maintain a low center of gravity, ensure that heavier equipment is installed near the bottom of the rack and load the rack from the bottom to the top.
- Verify that the rack height can support the unit to be installed (MRU rack height = 6U), where you may also want to consider future installations.

## 3.4 Power Requirements

### 3.4.1 Power Safety Instructions



**SAFETY WARNINGS!** When installing or selecting the power supplies:

- For AC models – only use the provided AC power cable (straight, U.S 10 A ,UL, L = 1.8-2.5 m ,black,110 V ) to connect the power supply to the MRU.
- Be sure to disconnect all power sources before servicing.
- Calculate the required power according to the requirements of the specific installation and then determine the configuration of the power supplies. The required DC cables will then be determined by the selected PS configuration.
- Use only UL approved power supplies
- Install external over-current protective devices for the system according to the power specifications described in 1.2.3.

### 3.4.2 Types of Power Supplies

Corning supplies various power supplies that can be installed in a rack or mounted on a wall, depending on your configuration.

### 3.4.3 Circuit Breakers

Calculate the required fuse protection while referring to power specifications described in Appendix A: Specifications. When installing fuse protections for the system, make sure to take into account other Corning system elements that may require external fuse protection as well.

### 3.4.4 Cable Routing

Ensure all cables, e.g. power cable, feeder cable, optic fiber, commissioning cable, connecting are properly routed and secured so that they are not damaged.

## 3.5 RF Coaxial Cable Guidelines

### 3.5.1 General RF Cable Installation Procedures

*Note: The installer should be familiar with the ANSI/TIA/EIS-568 Cabling Standard guidelines.*

- Observe the general cable installation procedures that meet with the building codes in your area. The building code requires that all cabling be installed above ceiling level (where applicable). The length of cable from the risers to each antenna must be concealed above the ceiling.
- The cable must be properly supported and maintained straight using velcro cable ties, cable trays and clamps or hangers every 10 feet (where practical above ceiling level). Where this is not practical, the following should be observed:
- The minimum bending radius of the supplied ½” coax cable should be 7”.
- Cable that is kinked or has a bending radius smaller than 7” must be replaced.
- Cable runs that span less than two floors should be secured to suitably located mechanical structures.
- The cables should be supported only from the building structure.
- All cables shall be weather-resistant type.
- Cable length - determined by the system installation plan. When calculating the cable length, take into account excess cable slack so as not to limit the insertion paths.

### 3.5.2 RF Rules

- Use coax RG-223, 50 ohm, male-to-male N-type to QMA for RF connections from the RIMs to the BTS/RBS and to the MRU.
- When using the Corning remote unit in an environment in which other indoor coverage systems are installed, it is recommended (where possible) that the antennas are placed at least two meters apart
- When bending coax cables, verify that the bending radius does not exceed the coax specifications.
- Use wideband antennas supporting a range of 300 MHz to 3 GHz
- Terminate all unused MRU RF ports with a 50 ohm load
- Make sure that the VSWR measured at the coax cable meets the product specification The VSWR must be measured prior to terminating the MRU RF ports in the remote communication rooms.

### 3.5.3 Coax Cable Lengths and Losses

Use coax RG-223, 50 ohm, for RF connections between MRU unit and DAS antennas.

*Note: The required distance between the antennas (installed in the ceiling) depends on the infrastructure and calculated path-loss. For example, if there is free space-loss between the antennas, a minimum distance of 100 ft is required; if there are partitions (loss) between the antennas, a distance of less than 100 ft between them is allowed.*

Coax Length	Coax Loss (900 MHz)	Connector Loss	Total Loss
30	0.7	1.5	2.2
40	0.9	1.5	2.4
50	1.1	1.5	2.6
60	1.3	1.5	2.8

Coax Length	Coax Loss (900 MHz)	Connector Loss	Total Loss
70	1.5	1.5	3
80	1.7	1.5	3.2
90	1.9	1.5	3.4
100	2.1	1.5	3.6
110	2.3	1.5	3.8
120	2.5	1.5	4
130	2.7	1.5	4.2
140	2.9	1.5	4.4
150	3.1	1.5	4.6
160	3.3	1.5	4.8
170	3.5	1.5	5
180	3.7	1.5	5.2
190	3.9	1.5	5.4
200	4.1	1.5	5.6

## 3.6 Antenna Specifications and Guidelines

Determine the antenna installation configuration, according to the transmission and coverage requirements and the installation site conditions.

### 3.6.1 Authorized Antennas and Required Specifications

- External antennas - No limitation on any vendor of available external antennas with respect to the following requirements:
  - Omni Directional or Directional
  - Supported frequency range: wideband antennas supporting a range of 700 MHz to 2600 MHz
  - Gain: up to 12.5 dBi
  - Impedance: 50 Ohm
  - Types of couplers/splitters – depends on number of splits
- Couplers – Use N-Male to N-Female broadband coupler separately ordered from Corning (P/N AK-1COUPLER-NM-NF) or the equivalent:
  - Broadband frequency: 300 – 3000 MHz
  - -20 dB coupling (SMA coupling port)
  - Max. VSWR/Return Loss: 12 dB
  - Max. Insertion Loss (dB): 0.2
- Number of antennas that can be connected (with cables/splitters) – it is not recommended to connect more than one antenna per connector since 1:1 connectivity is reduced with each split.
- Types of couplers/splitters – depends on number of splits (not recommended)

### 3.6.2 General Installation Guidelines

- The MRU should be installed at a convenient location, free of metallic obstruction (can also be installed in plenum spaces).
- Install the MRU at the designated height and tune it roughly toward the service coverage area.
- Installation of this antenna must provide a minimum separation distance of 100 cm from any personnel within the area.
- Cable and jumper loss is at least 2 dB.

## 3.7 Fiber Optic Requirements

### 3.7.1 Authorized Optic Cables

The following specified optic cables are authorized for use with the MRU product:

- Composite plenum tether assemblies
- Fiber: LC APC, 2 – 24 fibers
- Cu: 16 AWG, 14 AWG, 12 AWG; 2 – 12 Conductors
- Armored, non-armored

### 3.7.2 Fiber Optic Rules

- Use only LC APC connectors
- UniCam connectors can be used for field termination
- Use only fusion splice for connecting two fibers
- Use minimum splicing/connectors to achieve minimum losses on the fibers (< 0.5 dB)
- Use precaution while installing, bending, or connecting fiber optic cables:
  - Fiber optic cable is sensitive to excessive pulling, bending and crushing forces. Consult the cable specification sheet for the cable you are installing.
  - Do not bend cable more sharply than the minimum recommended bend radius.
  - Do not apply more pulling force to the cable than specified.
  - Do not crush the cable or allow it to kink. Doing so may cause damage that can alter the transmission characteristics of the cable. The cable may have to be replaced.
- Use an optical power meter and light source for checking the fiber optic cables
- Make sure the environment is clean while connecting/splicing fiber optic cables
- All fiber optic connectors should be cleaned prior to connecting to the system
- Fiber connector protective caps should be installed on all non-terminated fibers and removed just before they are terminated.
- Pay special attention while connecting the LC APC connectors – ensure that you hear a “click”, indicating a secure connection
- Never look directly into the end of a fiber that may be carrying laser light. Laser light can be invisible and can damage your eyes.

## 3.8 Grounding Requirement

Verify that the equipment has been well grounded (refer to the grounding lug on the bottom front panel of the MRU chassis. This includes antennas and all cables connected to the system. Ensure lightning protection for the antennas is properly grounded. See sections 4.2.3 for MRU grounding connection.

## 3.9 Manual Handling

During transportation and installation, take necessary handling precautions to avoid potential physical injury to the installation personnel and the equipment.

# 4 Installation

This document describes the installation procedure for the Corning ONE™ wireless platform mid-power remote unit (MRU). Please refer to Chapter 3 - Installation Guidelines for specific guidelines on infrastructure planning, design and installation or please consult with a Corning product line manager or Corning approved Installer.

## 4.1 Unpacking and Inspection

Unpack and inspect the cartons as follows:

1. Open the shipping cartons and carefully unpack each unit from the protective packing material.
2. Verify that all the items listed in Table 4-1 are included in the MRU package. If any of the listed items are missing, contact your Corning representative.
3. Check for signs of external damage. If there is any damage, call your Corning representative.



Kit	Item Description	Quantity		
MRU	Mid-power remote unit <i>Note: See 'Appendix B: Ordering Information for MRU part numbers.'</i>	1		
	Hosted Modules (pre-installed):	Service specific Power Amplifier Modules (PAM) – pre-installed according to ordered configuration		1 - 5
		Fan Module (FAM)		1
		AC or DC (model dependent) Power Entry Module (PEM)		1
	AC power cable (AC models only)	Cable, power, straight, USA 10A ,UL, L=1.8-2.5m ,black,110V		1
	Rack ears for 19-in rack (factory assembled onto sides of MRU)	2		
AK-MRU-DCA-CBL	Mid-power remote unit dry contact cable assembly (optional; ordered separately); DB9 pin female connector cable with open wires supporting connections to up to three dry contact alarms	1		

Table 4-1. MRU Kit Descriptions

## 4.2 Mounting the MRU

The MRU supports two types of mounting installations:

- 19 – in rack installation (section 4.2.1)
- Wall mount installation (section 4.2.2)
- Outdoor installation – the MRU can be installed in a separately ordered outdoor enclosure; Refer to section 4.2.3 for instructions on how to install the MRU in a Purcell cabinet (Flexsure®12-2420).

### 4.2.1 Rack Installation

Note the following:

- MRU chassis requires 6 U rack height availability
- Rack nuts and screws not provided

#### To install MRU in rack

1. Determine the location of the MRU in the rack while considering additional units (e.g. ICU, Power Supply).
2. Referring to Figure 4-1, secure the units' rack ears to the rack frame as follows:
  - Insert two screws half-way into the rack frame (one on each side)
  - Position the bottom half slots of the chassis rack ears on to the screws
  - Secure the unit in the rack via the three remaining applicable bracket holes using the appropriate rack nuts and screws



Figure 4-1 Example of MRU Chassis Rack Installation

## 4.2.2 Wall Mount Installation

### Note the following:

- MRU wall-mount brackets are not included with the MRU package and are ordered separately (MKT P/N: BR-MRU-W).
- The mounting surface shall be capable of supporting the weight of the equipment. The weight of a fully populated MRU chassis is 70.55 lbs (32 kg).
- The installer is responsible for accommodating the installation to the surface type.

### 4.2.2.1 Unpacking and Inspection

#### Unpack and inspect the carton as follows:

1. Open the shipping carton and carefully unpack each unit from the protective packing material.
2. Verify that all the items listed in Table 4-2 are included in the wall-mount bracket package. If any of the listed items are missing, contact your Corning representative.
3. Check for signs of external damage. If there is any damage, call your Corning representative.



Item	Quantity	
Wall Mount Bracket	1	
Screws, flathead, 8-32X3/8	11	

Table 4-2. MRU Wall-Mount Bracket Package Items



### 4.2.2.2 Mounting MRU on Wall

1. Assemble wall-mount bracket to MRU underside.

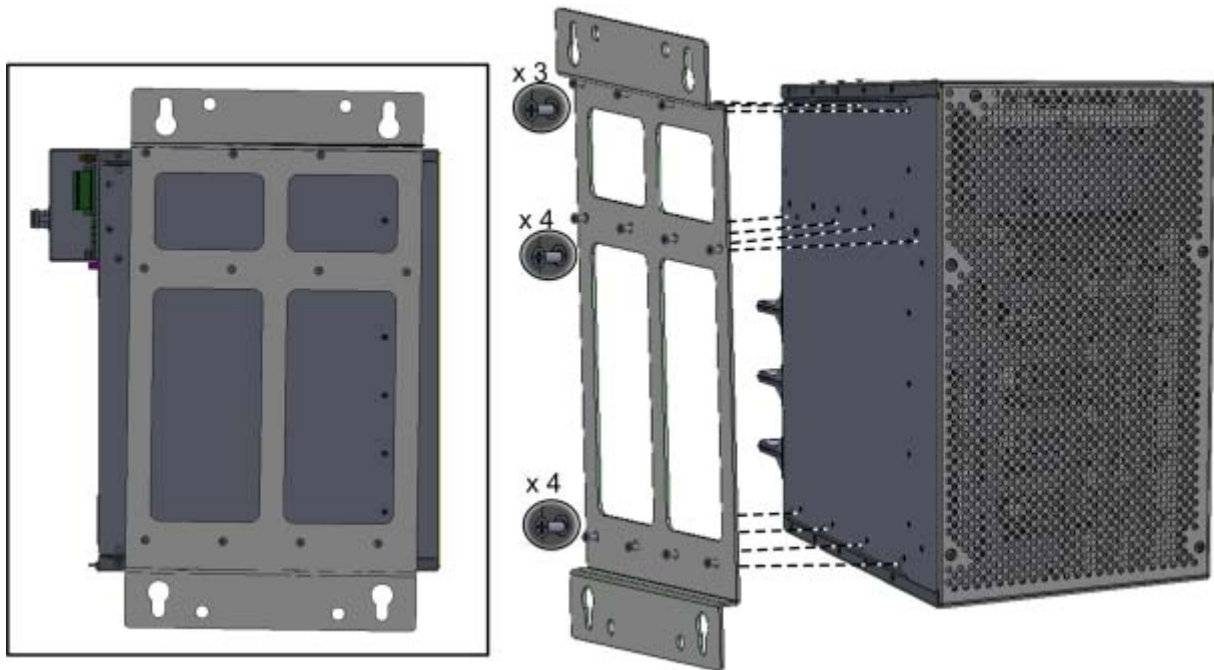


Figure 4-2. Assembling Bracket onto MRU

2. Select location and mark and drill appropriate holes in wall.

**! IMPORTANT!** MRU is installed belly-to-the-wall with door opening rightward. If installed near a right facing wall, make sure that there is at least 16 inches of clearance to open the door to the right and to successfully remove and replace all modules.

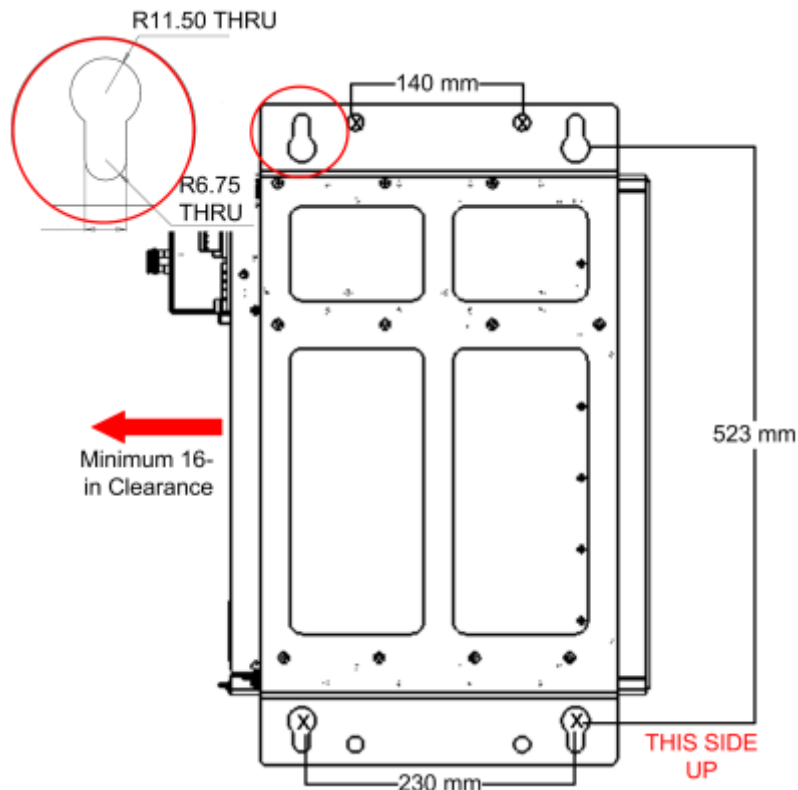


Figure 4-3. Wall-Mount Bracket Dimensions

3. Insert anchors in wall, hang unit and tighten to secure.

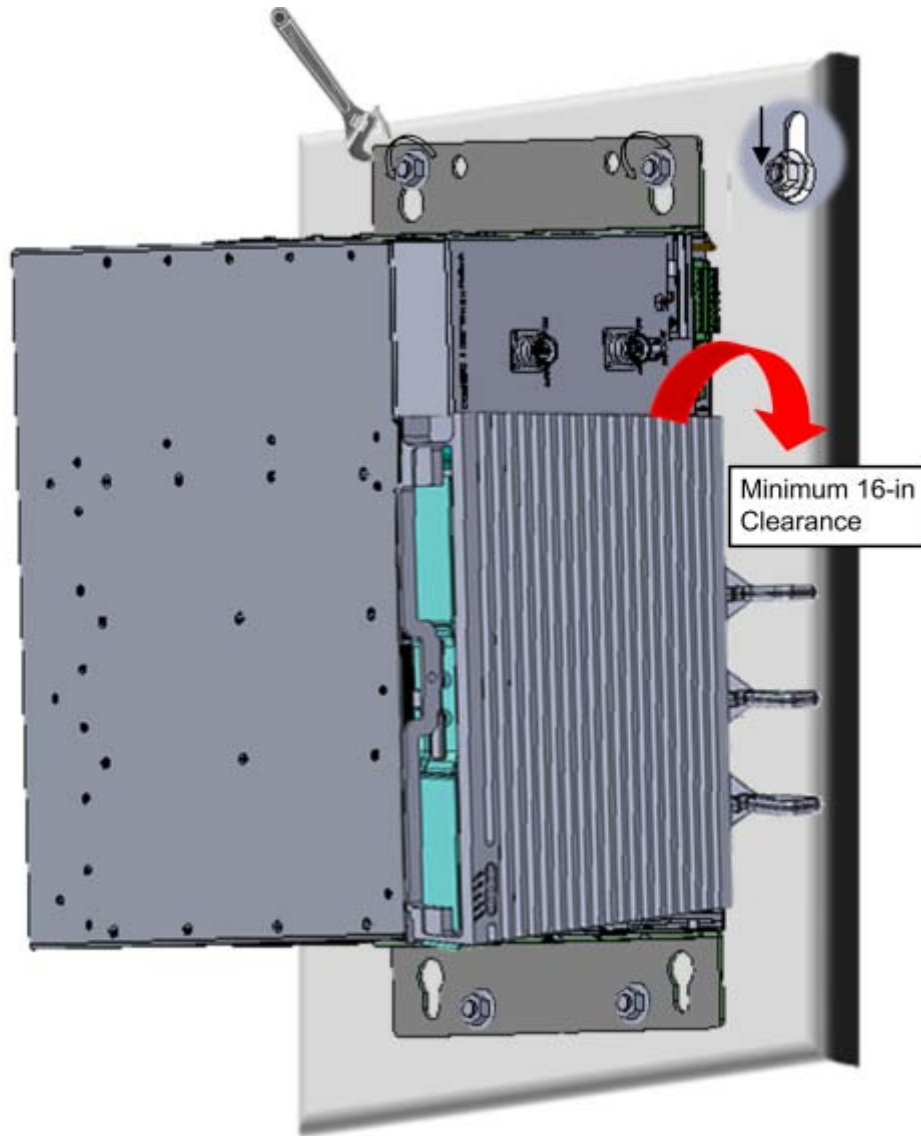


Figure 4-4. Mounting MRU on Wall

## 4.2.3 Outdoor Installation

This section provides instructions on how to install the MRU in a Purcell cabinet (Flexsure® 12-2420) and perform external alarm connections between the unit and the enclosure.

### Note the following:

- The MRU, outdoor enclosure and required dry contact alarms cable are each ordered separately
- Additional relevant documentation - Purcell Flexsure 12-2420 installation manual provided with the cabinet
- Only trained and qualified personnel should be allowed to install, replace, or service this equipment
- The MRU connections are performed after the chassis is installed in cabinet

### 4.2.3.1 Items Required for Outdoor Installation

Refer to Table 4-3 for the items required for installing the MRU in the outdoor enclosure.

Kit	Item	Quantity
FLX12-2420 Enclosure	Purcell Flexsure® 12RU Outdoor GR-487 Enclosure for single MRU installations	1
MRU	Mid-Power remote unit	1
External Alarms Cable (AK-MRU-DCA-CBL)	DB9 male open wire cable for external alarm connections	1

Table 4-3. Items Required for Outdoor Installation

### Additional required items (not provided):

- Standard electrician tools (including ratchet wrench with extension bar and 8 mm socket) for tightening self-drilling screws securing MRU chassis to cabinet rails)
- Assorted cable ties
- 90° right angle 4.3-10 type male connector coax cables – one for antenna connection and one for external 2.5 GHz RF source connection (if relevant)
- Recommended - Flexible cable conduits for routing connections cables through cabinet knockouts; refer to Figure 4-6 for relevant knockouts; Following are recommended Heyco part numbers for flexible conduits:

Manufacturer	PN	Description
	8406	HFC 1 BLACKw/8467 Nut, conduit fitting 1 in thread
	8453	HF2 1 Tubing 100' Coil Black
	8456	HFC 2 Tubing 50' Coil Black
	8642	HFC 2 Black; conduit fitting 2 in thread

Table 4-4. Recommended Conduits

- Sealing material for knockouts – if not using conduits

### 4.2.3.2 Pre-Installation Procedures

1. Remove each rack ear and reassemble according to position shown in Figure 4-5.

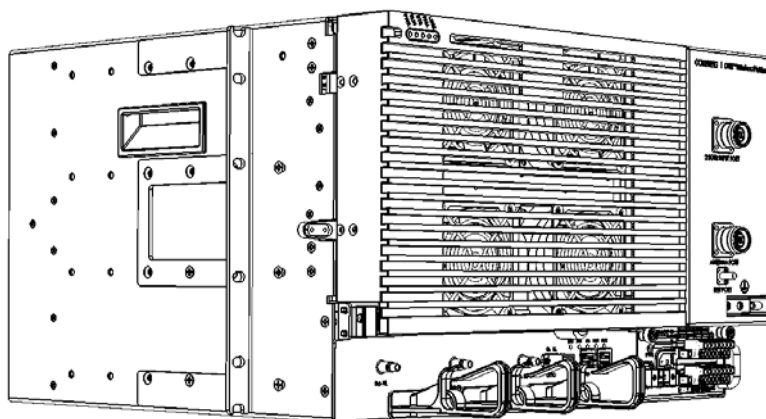


Figure 4-5. Required Position of MRU Rack Ears

2. Referring to **Error! Reference source not found.** for relevant knockouts, use appropriate knockout tools to punch out knockouts for routing connection cables.

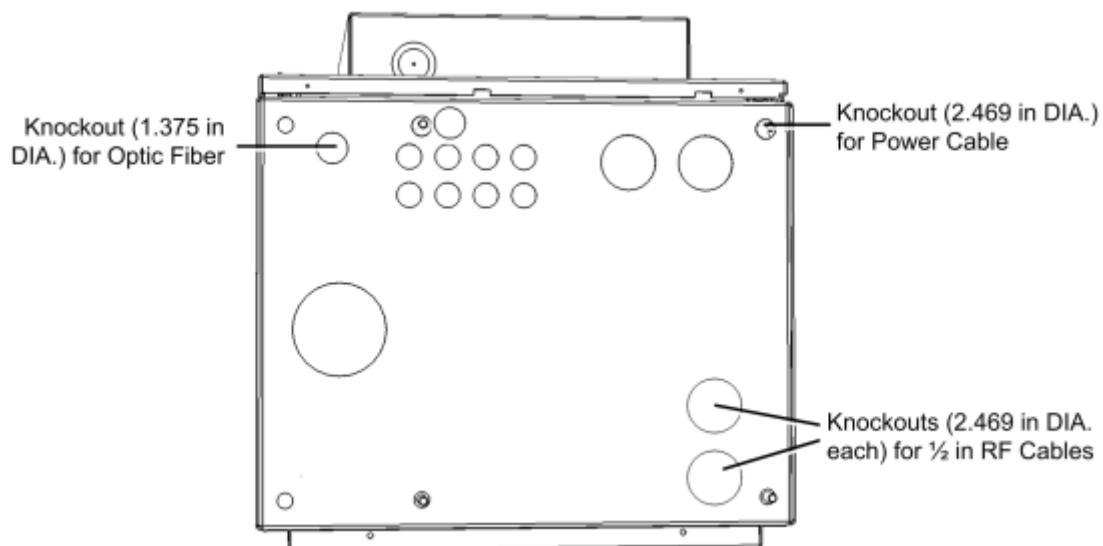


Figure 4-6. Required Knockouts Positions

### 4.2.3.3 Install MRU in Cabinet

1. Carefully lay cabinet on backside (so door faces upwards) and open door.

**⚠ ATTENTION!** Make sure that the door hatch lock into the door rail. See Figure 4-7.

*Note: Push hatch inwards towards the door to release and close the cabinet.*

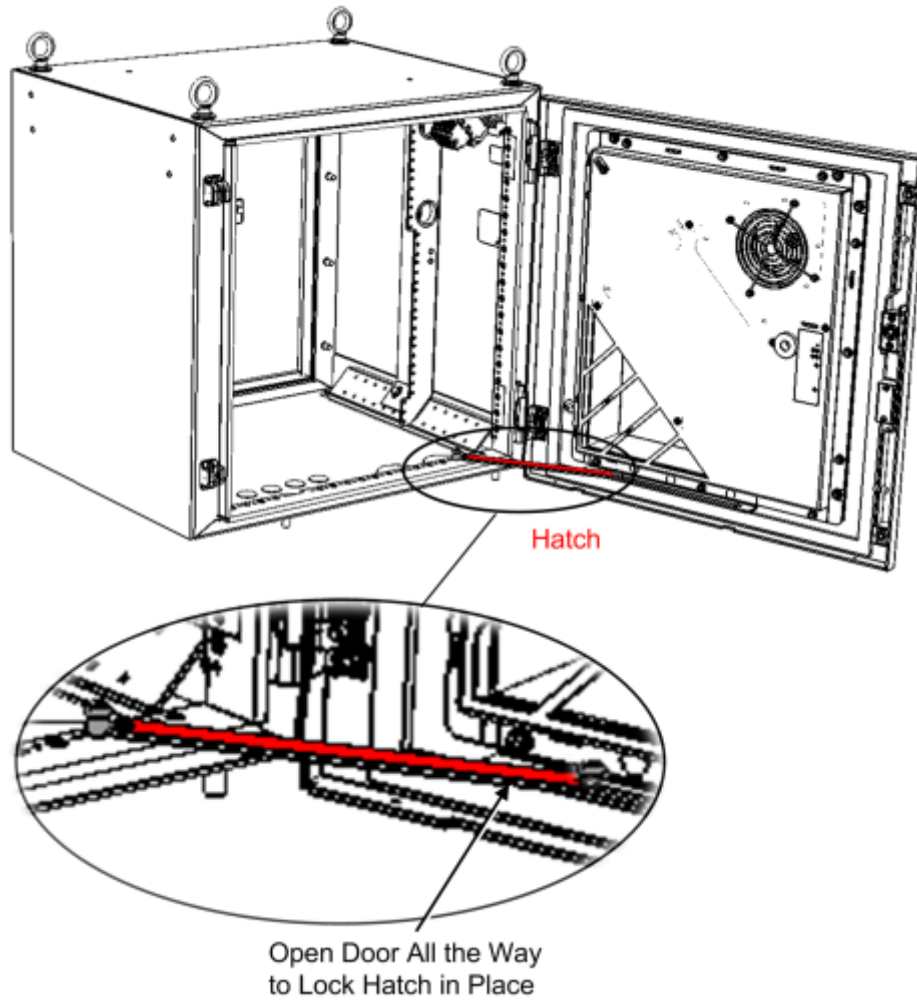


Figure 4-7. Opening Cabinet Door and Locking in Place

2. Insert one 8 mm self-tapping screw (provided with the cabinet) half way into the bottom hole of each rail. Refer to Figure 4-8.

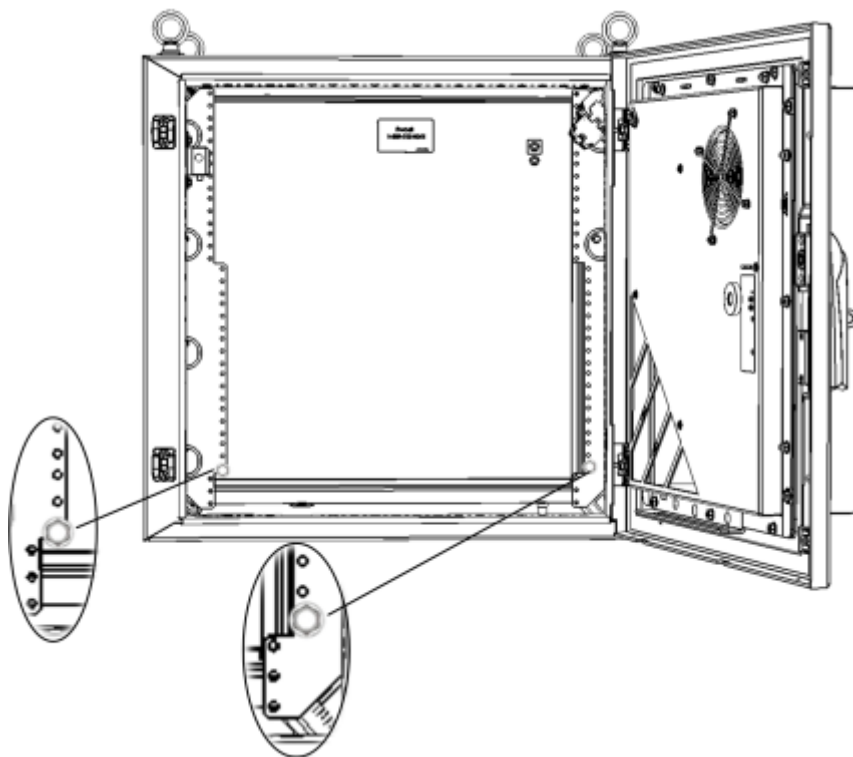


Figure 4-8. Inserting Self-Tapping Screw in each Rail

*Note: An extension bar may be required to access the screws due to narrow space between chassis and cabinet rails.*

3. Position the bottom half slots of the MRU rack ears onto the protruding screws and tighten the screws using a ratchet wrench. Refer to Figure 4-9.

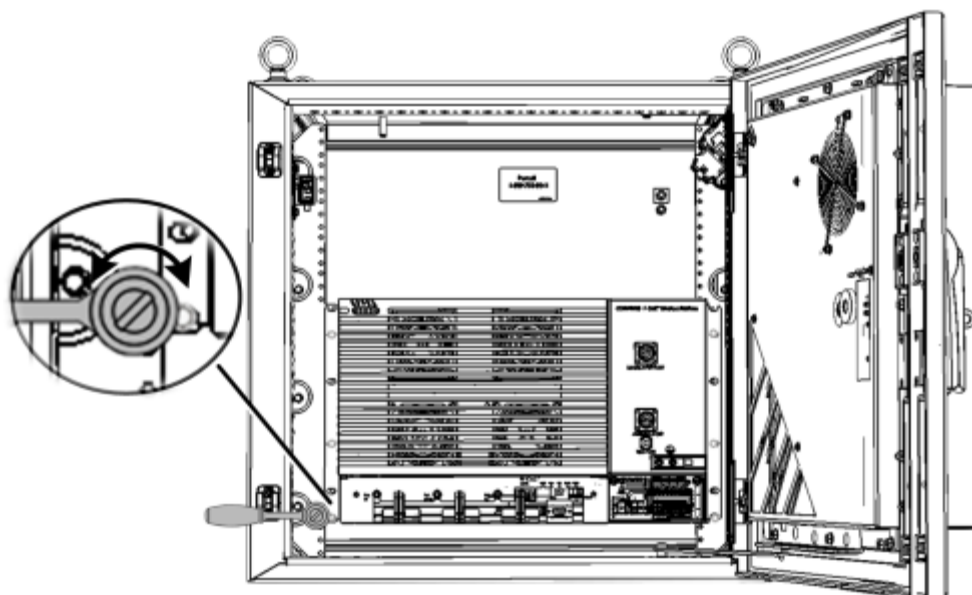


Figure 4-9. Securing MRU to Cabinet Rails

4. Insert at least two additional screws into each of the cabinet rails to safely secure MRU and tighten.
5. (Optional) Insert the appropriate conduits (refer to section 4.2.3.1 for recommended part numbers) in each of the punched out knockouts.

6. Ground the cabinet and MRU:

- For cabinet grounding instructions - refer to the manufacturers installation guide for instructions on cabinet grounding
- Using one of the grounding cables provided with the cabinet, ground the MRU chassis via the two-hole, standard barrel grounding lug located on the front panel to one of the cabinet grounding bolts. Refer to Figure 4-10.

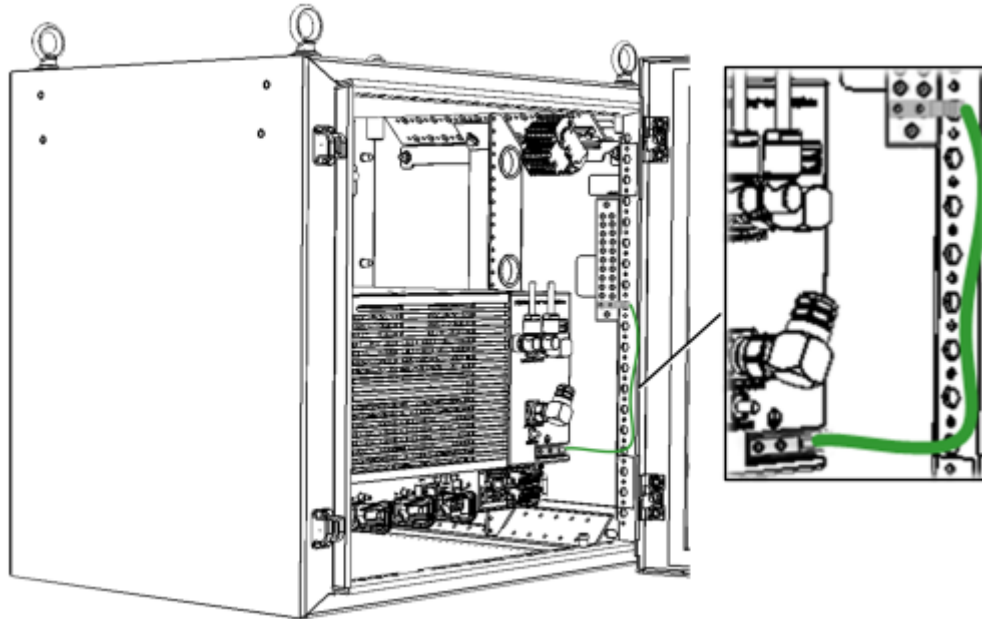


Figure 4-10. Grounding MRU to Cabinet

7. Connect RF antenna coax - (for both 4.3-10 Type “ANTENNA PORT” and “2.5GHz INPUT PORT”) route coax cable with 90° right angle connector through its’ designated knockout (see Figure 4-6) behind and above the MRU chassis and connect to the corresponding RF port. Refer to Figure 4-11.
8. Route optic fiber from ICU and power cable through designated knockouts (see Figure 4-6) and connect according to instructions in section 4.4. Refer to Figure 4-11.

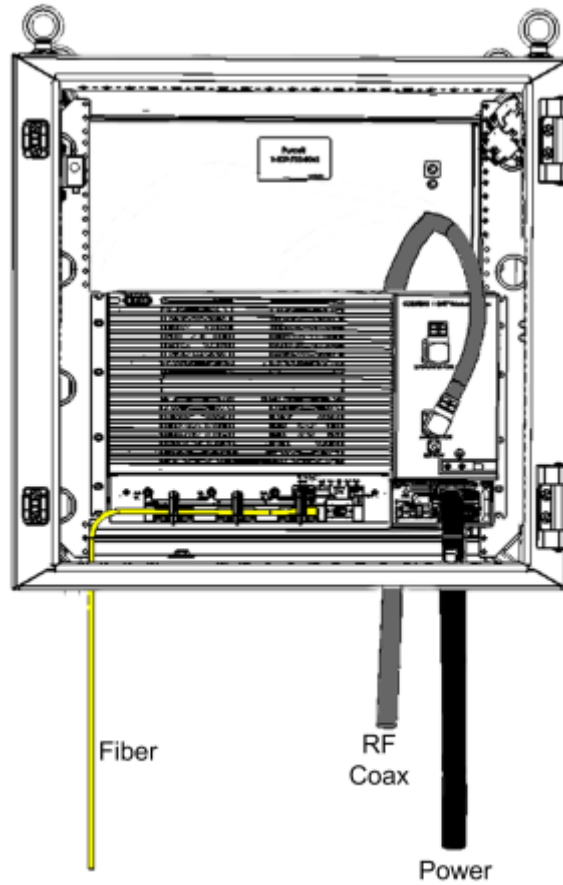


Figure 4-11. Example of Routed Connection Cables

*Note: For DC power connections – route DC power cable with open wires (without connector) and then wire according to instructions in section 4.7.2.*

9. Perform external alarm connections between MRU and cabinet:
  - A. Connect the external alarms cable (provided with the MRU) to the chassis’s DB-9 ‘External Alarms’ connector. The connector provides indications for door opening, heat exchanger (HEX) and one additional input for future use. Refer to Table 4-5 and to Figure 4-12 for MRU ‘External Alarms’ connector pin out.

Pin	Description
1	Common
2	Not connected
3	Not connected
4	Not connected
5	Not connected
6	Door alarm
7	HEX (heat exchange) alarm
8	Future alarm
9	Exist indication (indicates existing connection of alarm cable)

Table 4-5. MRU External Alarm Connector Pin Out Description



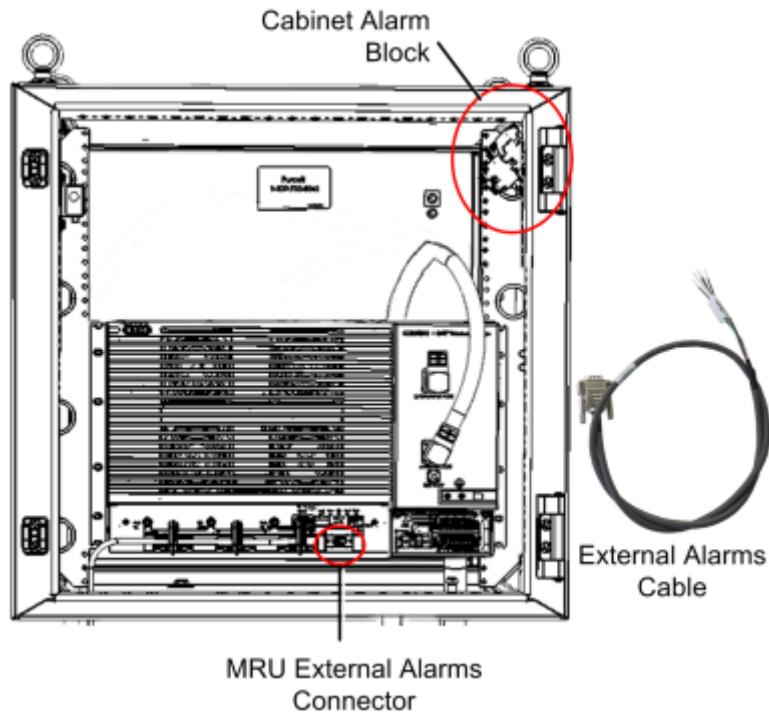


Figure 4-12. Location of External Alarms Connector and Cabinet Alarms Block

- B. Route the cable alarm wires to the alarm block, located on the upper right corner of the cabinet.
- C. Connect the external alarm connections to the cabinet according to the following:

Refer to Table 4-6 for External Alarms cable wiring description.

Color	Description
Red	+48 V_COMMON
Green	-48 V_EXIST INDICATION
Brown	-48 V_DOOR ALARM
Black	-48 V_HEX ALARM
White	-48 V_FUTURE ALARM

Table 4-6. External Alarms Cable Wiring Description

Refer to Table 4-7 for wiring description of MRU External Alarms connector and to **Error! Reference source not found.** for examples of the upper and lower back cabinet wiring connections.

External Alarms Connector Pin No.	
1	Common
6	Door Alarm
2	NC
7	HEX Alarm
3	NC
8	Future Alarm
4	NC
9	Exist Indication
5	NC
NC =Not Connected	

Table 4-7. External Alarms to Cabinet Block Wiring

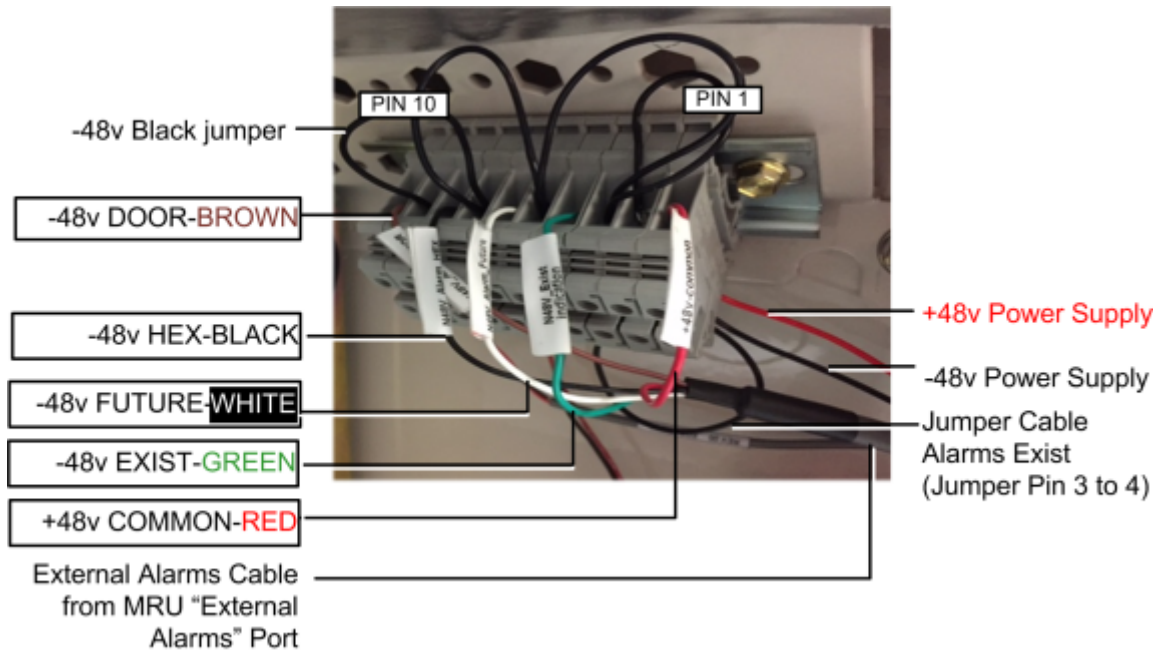


Figure 4-13. Example of External Alarm Wiring Connections

10. Verify that fans are operational and refer to status LEDs on the inside of the cabinet door and verify that all show green

### 4.3 Grounding MRU Chassis

The grounding connection is performed via a two-hole, standard barrel grounding lug located on the front of the MRU chassis (see Figure 4-14).

#### Required tools and components

The following additional (not supplied) tools and components are required for connecting the system ground:

- Grounding wire - The grounding wire should be sized according to local and national installation requirements. The provided grounding lug supports 14 AWG to 10AWG stranded copper (or 12 AWG to 10 AWG solid) wire conductors.  
*Note: The length of the grounding wire depends on the proximity of the switch to proper grounding facilities.*
- Phillips-head screwdriver
- Crimping tool to crimp the grounding wire to the grounding lug.
- Wire-stripping tool to remove the insulation from the grounding wire.

#### Connecting system ground

1. Use a wire-stripping tool to remove approximately 0.4 inch (10.9 mm) of the covering from the end of the grounding wire.
2. Insert the stripped end of the grounding wire into the open end of the grounding lug.
3. Crimp the grounding wire in the barrel of the grounding lug. Verify that the ground wire is securely attached to the ground lug by holding the ground lug and gently pulling on the ground wire.
4. Prepare the other end of the grounding wire and connect it to an appropriate grounding point at the site to ensure adequate earth ground.



Figure 4-14 MRU Grounding Lug Connection

## 4.4 Fiber Connections

### To connect optic fiber

1. Remove the LC APC connector plugs.
2. Using Corning® SMF-28® fiber (or compatible), connect the MRU LC APC fiber connector towards the ICU. See Figure 4-15.



Figure 4-15 Fiber Connections Towards ICU

## 4.5 RF Antenna Connections

Connect the MRU male DIN type 4.3-10 duplexed RF “ANTENNA” port to the broadband antenna(s) using appropriate coax cables. See Figure 4-16.



Figure 4-16 Example of MRU Connections to Broadband Antennas (Via Splitter)

The MRU includes one 4.3-10 Type RF port used for connecting to a 2.5 GHz external RF source (e.g. picocell).

## 4.6 External Alarm Connections

A DB-9 female pin “External Alarms” connector (located on optical module below RJ45 ports) provides support for up to three external dry contact alarm connections from external sources (incoming outputs). See Figure 4-17.



Figure 4-17. MRU External Alarms Connector and Cable

The connector provides indications for door opening, heat exchanger (HEX) and one additional input for future use.

Connect the open wire dry contact cable (ordered separately) to the MRU 'External Alarms' port and to the external input sources. Refer to Table 4-8 and to Figure 4-18 for pin out information.

Pin	Description
1	Common
2	Not connected
3	Not connected
4	Not connected
5	Not connected
6	Door alarm
7	HEX (heat exchange) alarm
8	Future alarm
9	Exist indication (indicates existing connection of alarm cable)

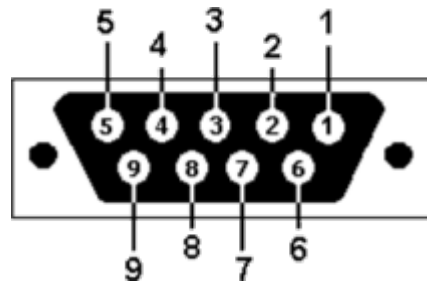


Table 4-8. MRU External Alarm Connector Pin Out Description

Figure 4-18. MRU External Alarms Connector Pin Out

Refer to Table 4-9 and Figure 4-19 for dry contact alarms cable wiring description.

Color	Description
Red	+48 V_COMMON
Green	N48 V_EXIST INDICATION
Brown	N48 V_DOOR ALARM
Black	N48 V_HEX ALARM
White	N48 V_FUTURE ALARM

Table 4-9. Dry Contact Alarm Cable Wiring Info

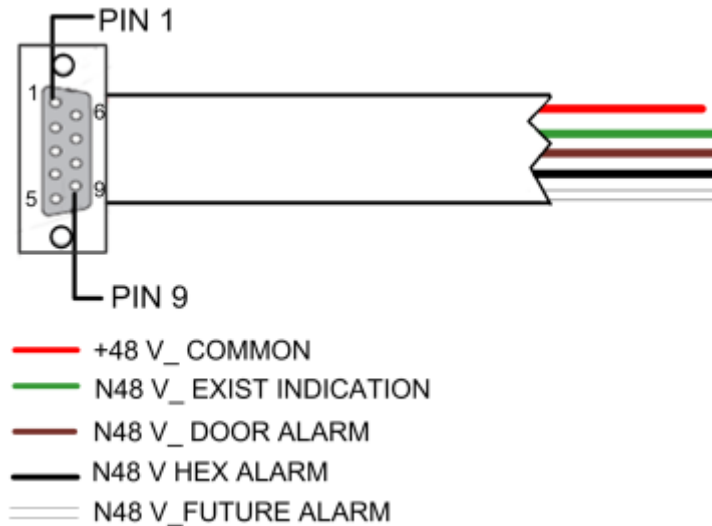


Figure 4-19. Dry Contact Alarm Cable Wiring

## 4.7 Power Connections

The MRU power connections depend on the type of power module (AC or DC). The power entry module (PEM) is located on the bottom right of the chassis front.

- Refer to section 4.7.1 for AC model power connections
- Refer to section 4.7.2 for DC model power connections

### 4.7.1 AC Models

Using the provided AC power cable only, simply connect the MRU AC power connector to the AC power source.

Note the following:

- Power input: 100-240 VAC / 50-60 Hz
- Power consumption: 360 W (max.)
- Maximum AC current consumption: 5A



Figure 4-20. MRU AC Model Power Connector

### 4.7.2 DC Models

DC models include two types of terminal block connectors:

- CLASS 2 (default) – two eight pin terminal block connectors for remote feed (see section 4.7.2.1).
- CLASS 1 – one two pin terminal block for local plant feed. To use CLASS1 user must change default connector mode from CLASS 2 to CLASS 1 (see section 4.7.2.2).

#### 4.7.2.1 CLASS2 Connector (Remote Feed)

Note the following:

- The CLASS2 DC connector supports the following wire pairs (refer to Figure 4-21):
  - One pair for each installed PAM (up to five pairs)
  - One pair for OPTM + FAM
  - One reserved pair (RSV) for future use
- DC CLASS2 connector specs:
  - Supported wire AWG:
    - Conductor cross-section, solid (AWG/mm<sup>2</sup>): 30~12 / 0.2~2.5
    - Conductor cross-section, flexible (AWG/ mm<sup>2</sup>): 30~12 / 0.2~2.5
  - Wire strip length: 9~10 mm
- DC Power input:
  - DC class 1: 48 VDC (40-60 VDC) 9 A max



- DC class 2: 24 VDC / 48 VDC (20-60 VDC) 1.75 A maximum per pair
- Power amplifier consumption per pair: 50 W
- Maximum power consumption: 330 W
- Maximum current consumption: 1.75 A per pair

**To perform CLASS2 DC connector wiring – for each DC pair:**

1. Identify the positive and negative terminals for the DC pair to be wired on the CLASS2 connector feed positions. The wiring sequence is positive to positive and negative to negative as shown in Figure 4-21.
2. Use a wire-stripping tool to remove the covering from the end of the DC wire pairs.
3. Open the terminal block screw above the negative feed position and then insert the exposed black wire (negative feed) into the terminal block.

*Note: Ensure that no exposed portion of the DC wires extends from the terminal block plug.*

4. Torque the terminal block captive screw (above the installed wire lead), using a ratcheting torque screwdriver. Recommended torque is 0.49N•m.
5. Repeat the same process as in Step 3 and Step 4 for remaining positive feed (exposed red wire).

**CAUTION!** Secure the wires coming in from the terminal block so that they cannot be disturbed by casual contact. For example, use tie wraps to secure the wires to the rack.

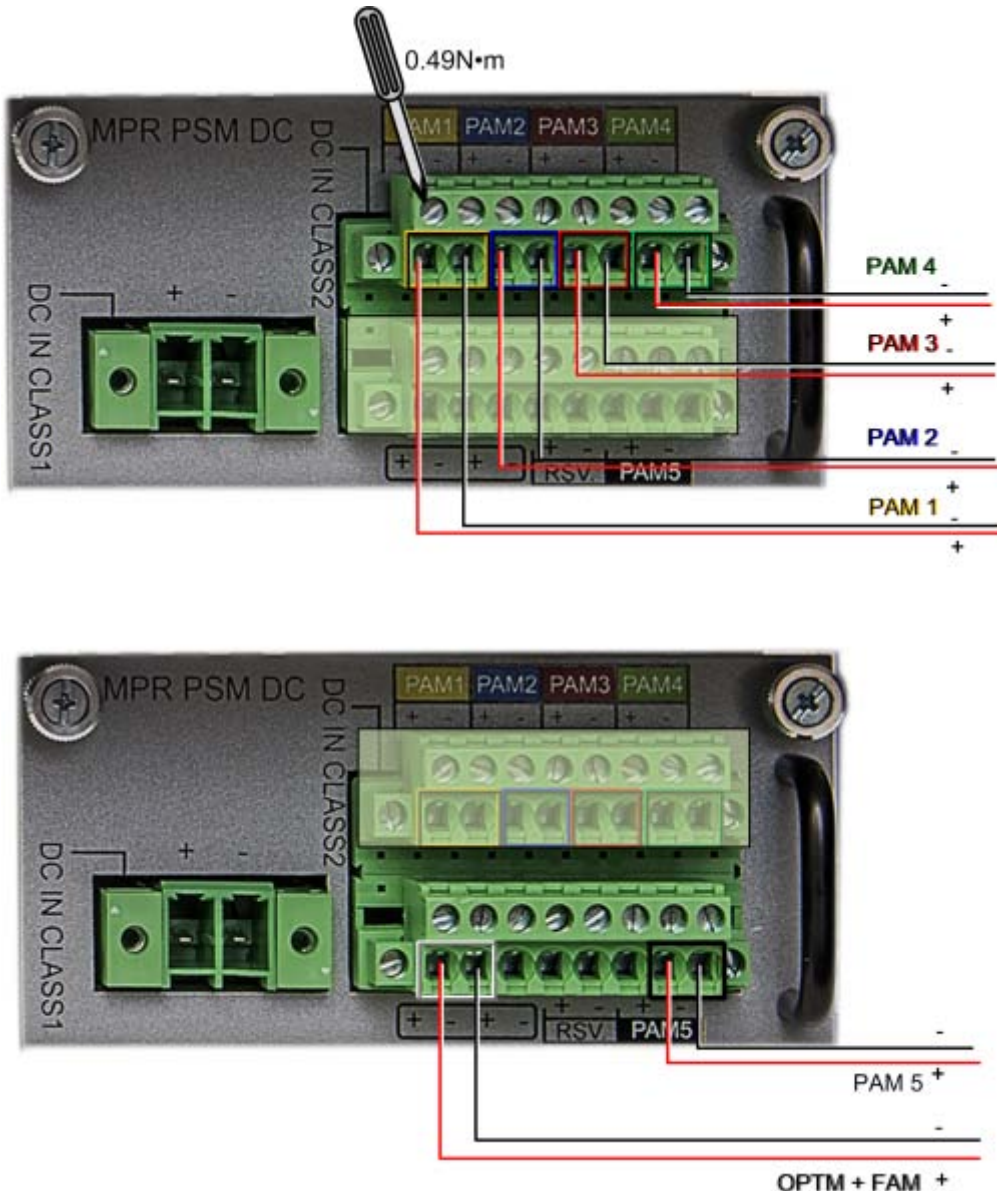


Figure 4-21. Example of CLASS2 DC Wiring Connections

#### 4.7.2.2 CLASS1 Connector (Local Plant Feed)

*Note: In order to power the MRU via the CLASS1 connector (2 pole terminal plug), the DC bridge must be moved from the default CLASS2 mode position to CLASS1.*

##### DC CLASS1 power specs:

- Power input: 48 VDC (40-60VDC)
- Max. current consumption: 9 A

##### To perform CLASS1 DC connector wiring

1. Loosen PEM captive screws and pull out module from chassis. See Figure 4-22.



Figure 4-22. Extracting PEM from Chassis

2. Move DC bridge from CLASS2 position to CLASS1 to set DC input source type to 'CLASS1' connector. Refer to Figure 4-23.



Figure 4-23. Setting CLASS1 Mode



3. Push PEM back in slot and close captive screws.
4. Identify the positive and negative terminals for the DC pair to be wired on the CLASS1 connector feed positions. The wiring sequence is positive to positive and negative to negative.
5. Use a wire-stripping tool to remove the covering from the end of the DC wire pairs.
6. Open the terminal block screw above the negative feed position and then insert the exposed black wire (negative feed) into the terminal block.

*Note: Ensure that no exposed portion of the DC wires extends from the terminal block plug.*

7. Torque the terminal block captive screw (above the installed wire lead), using a ratcheting torque screwdriver. Recommended torque is 0.49N•m.
8. Repeat the same process as in Step 6 and Step 7 for remaining positive feed (exposed red wire).

**CAUTION!** *Secure the wires coming in from the terminal block so that they cannot be disturbed by casual contact. For example, use tie wraps to secure the wires to the rack.*

## 4.8 Verifying Normal Operation

- Verify that all the fans are operational.
- By referring to Table 2-2. MRU LED Description, verify that all the LEDs on the top-left of the chassis door and on each PAM are signaling normal system operation.

# 5 Appendix A: Specifications

## Supported Services

Technology	Frequency Range (MHz)		
	Service/Band	Uplink (UL)	Downlink (DL)
LTE	700 MHz Lower ABC	698-716	728-746
	700 MHz Upper C	776-787	746-757
CDMA/LTE	ESMR 800	817-824	862- 869
CDMA/GSM/LTE/UMTS	CELL 850	824-849	869-894
CDMA/LTE/GSM/UMTS	PCS + G 1900	1850-1915	1930-1995
UMTS/LTE	AWS 2100	1710-1755	2110-2155
LTE	WCS	2305-2315	2350-2360

## RF Parameters

Service/Band	LTE 700 MHz		ESMR800/ CELL850 MHz		PCS 1900 MHz		AWS 2100 MHz		WCS 2300 MHz	
	DL	UL	DL	UL	DL	UL	DL	UL	DL	UL
Frequency Range (MHz)	729-746 746-756	699-716 777-787	862-869/ 869-894	817-824/ 824-849	1930-1995	1850-1915	2110-215 5	1710-1755	2350 - 2360	2305 - 2315
Max Output Power Per Antenna Port (dBm)	30		30		33		33		33	
Input Power (dBm)	0 - 37		0 - 37		0 - 37		0 - 37		0 - 37	
UL Gain Range (dB)		-19 to 15		-19 to 15		-19 to 15		-19 to 15		-19 to 15
Input IP3 (dBm) AGC OFF Typical		-5		-5		-5		-5		-5
Input IP3 (dBm) AGC ON Typical		5		5		5		5		5
SFDR* (dB)		60		64		64		60		60
Max Intermod Distortion [dBm]	≤ -13		≤ -13		≤ -13		≤ -13		≤ -13	
UL NF*(dB)		12		12		12		12		12
Gain Flatness/Ripple (dB)	±2.0		±2.0		±2.0		±2.0		±2.0	

\*Typical for single Remote Access Unit

\*\* SFDR calculated with BW of 1.23MHz for the CELL and PCS and with 5MHz for the LTE, AWS and WCS.

## Coupling Specifications

Frequency (MHz)	Coupling (dB)
700	-26.0
800	-26.0
900	-26.0
1000	-26.0
1700	-26.0
1800	-26.0
1900	-26.0
2000	-26.0
2100	-26.0
2200	-26.0
2500	-26.0
2600	-26.0

## Environmental

Operating Temperature	-40°C to +65°C (-40°F to 149°F)
Storage Temperature	-30° to 85°C (-22° to 185°F)

## Standards and Approvals

Laser Safety	FDA/CE 21 CFR 1040.10 and 1040.11 except for deviations pursuant to laser notice no. 50 and IEC 60825-1
EMC/Radio	FCC 47 CFR Part 15, 22, 24, 27
Safety	UL 60950 IEC 60825-1:2007 IEC 60825-2:2010 CAN/CSA-C22.2 No.60950-1-03
NEBS	GR-63, GR-1089, GR-487 (with outdoor enclosure)

## Optical

Optical Output Power	< 9 dBm
Max. Optical Budget	7 dB (5 dB over any temp, and optical variations)
Back Reflectance	- 60 dB
Optical Connector	LC APC SM
Fiber Type	Corning® SMF-28® fiber or compatible
Wavelength	1310 ± 10nm (@ 25° C)

## Physical Specifications

### MRU hosting capabilities

- Five service specific Power Amplifier Modules (PAM)
- One Optical Module (OPTM)
- One Fan Module (FAM)
- One AC or DC (model dependant) Power Entry Module

### Interfaces

One 4.3-10 type duplexed RF antenna port  
 One LC APC port for fiber optic connection  
 One QMA coupling 'Test Port' (used for UL and DL measurements during system operation)  
 One 4.3-10 type RF port for 2.5 GHz external RF source  
 One RJ-45 MGMT (local) connection  
 One two-hole, standard barrel grounding lug; for use with stranded copper wire conductors; 10-14 AWG; holes - 1/4 inch  
 DC IN Connectors (model dependant):  
     One DC In two pin 'Class 1' terminal block  
     Two "DC In" eight pin "Class 2" terminal block connectors: one pair for each PAM ( total of five pairs) and one pair for the FAM+OPTM; one RSV pair  
 One QMA input connector for EXP UL  
 One QMA output connector for EXP DL  
 One DB-9 female external alarm connector for external dry contact alarm connections

<b>Power</b>	Power Consumption:	DC Version: 330 W (maximum)    AC Version: 360W (maximum)
	AC:    Power Input:	100-240 VAC/50-60 Hz;
	Max. AC Current Consumption	5A
	DC:    Power Input	DC class 1- 48VDC (40-60VDC) 9 A max DC class 2- 24VDC/48VDC (20VDC – 60VD)1.75 A maximum per pair Power amplifier consumption per pair: 50 W

**Management**      Managed via the Headend Control Module (HCM )

<b>Physical Characteristics (Enclosure and Modules)</b>	Mounting:	19-in rack; (6U rack height) Wall mount (separately ordered accessory kit)
	Dimensions (H x W x D):	10.5 x 17.5 x 15.75 in (266.7 x 445 x 400 mm)
	Weight (fully populated with five bands):	70.55 lbs (32 kg)

## 6 Appendix B: Ordering Information

### MRU Assembly Configurations

Part Number	Description
MRU:	Mid-power remote unit assembly; support for up to five service specific PAM modules; Includes OPTM, FAM, mid-plane and cavity filter; includes AC power cord (for AC models only)
MRU-78171923-DC	MRU-DC assembly with five PAM modules supporting LTE700,ESMR,PCS, AWS and WCS
MRU-781719-DC	MRU-DC assembly with four PAM modules supporting LTE700,ESMR,PCS and AWS
MRU-7819-DC	MRU-DC assembly with three PAM modules supporting LTE700,ESMR and PCS
MRU-81719-DC	MRU-DC assembly with three PAM modules supporting ESMR,AWS and PCS
MRU-78171923-AC	MRU-AC assembly with five PAM modules supporting LTE700,ESMR,PCS, AWS and WCS
MRU-781719-AC	MRU-AC assembly with four PAM modules supporting LTE700,ESMR,PCS and AWS
MRU-7819-AC	MRU-AC assembly with three PAM modules supporting LTE700,ESMR and PCS
MRU-81719-AC	MRU-AC assembly with three PAM modules supporting ESMR,AWS and PCS

### MRU Stand-alone Modules

*Note: Stand-alone modules can be ordered for upgrade or maintenance purposes.*

Part Number	Description
MRU	Chassis assembly with FAM, Mid-Plane ,Cavity Filter, MUX
MRU-OPTM-P	Mid-power unit optical module supporting IF and listening mode
MRU-PAM-17	Mid-power unit power amplifier module supporting AWS 1700 MHz
MRU-PAM-8	Mid-power unit amplifier module supporting ESMR800 and CELL850
MRU-PAM-7	Mid-power unit power amplifier module supporting LTE 700MHz
MRU-PAM-19	Mid-power unit power amplifier module supporting PCS 1900MHz
MRU-PAM-23	Mid-power unit power amplifier module supporting PCS 2300MHz
MRU-PEM-AC	Mid-power unit -AC power supply module
MRU-PEM-DC	Mid-power unit DC power supply module
MRU-FAM	Mid-power unit modular fan module

### Accessories

Part Number	Description
BR-MRU-W	Mid-power remote unit wall mounting bracket (vertical installation)
AK-MRU-DCA-CBL	Mid-power remote unit dry contact cable assembly (optional)

# Cable Assembly

H	R										8						F	-		
		1	2		3		4	5	6		7		8		9				10	11

**1**  
Select connector.  
00 = None  
18 = LC APC duplex  
66 = SC APC duplex

**4**  
Select cu conductor count.  
0 = No conductors  
2 = 2 conductors  
4 = 4 conductors  
6 = 6 conductors

**7**  
Select cable type.  
U = Fiber + copper conductors  
G = Fiber only

**2**  
Select connector.  
8 = LC/APC duplex  
66 = SC/APC duplex

**5**  
Select cu connectors.  
C = With connectors  
N = No connectors

**8**  
Select armored or non-armored  
20 = Non-armored  
A3 = Armored indoor plenum

**3**  
Select cu wire gauge  
F = 12 AWG  
G = 14 AWG  
H = 16 AWG

**6**  
Select fiber count.  
04 = fibers  
06 = 6 fibers  
24 = 24 fibers (\*see Note 1)  
48 = 48 fibers (\*see Note 1)  
72 = 72 fibers (\*see Note 1)  
96 = 96 fibers (\*see Note 1)  
E4 = 144 fibers

**9**  
Select cable length.  
010 – 999 ft (see Note 2)

**10**  
Select pulling grip.  
P = One-sided pulling grip  
N = No pulling grip

Note 1: Fiber-only trunk cables (no conductive pairs); MTP connector is standard – for other options, please contact Customer Care

Note 2: Cable lengths:

- Preconnectorized cable can only be ordered in 10 ft increments.
- Non-connectorized bulk cabling can only be ordered in 50 ft increments.

Note 3: Available for 24 and above fiber cables only

**11**  
Select kit.

K = Two strain-relief trunk holders (\*see Note 3)  
N = None

Corning Optical Communications Wireless. • 13221 Woodland Park rd, Suite 400 • Herndon, VA 20171 USA  
866-436-9266 • FAX: 703-848-0280 • Tech Support Hotline: 410-553-2086 or 800-787-1266 • www.corning.com/opcomm

Corning Optical Communications Wireless reserves the right to improve, enhance and modify the features and specifications of Corning Optical Communications Wireless products without prior notification. All other trademarks are the properties of their respective owners. Corning Optical Communications Wireless is ISO 9001 certified. © 2015 Corning Optical Communications. All rights reserved.

UM\_MRU\_709C017501\_02AUGUST2015