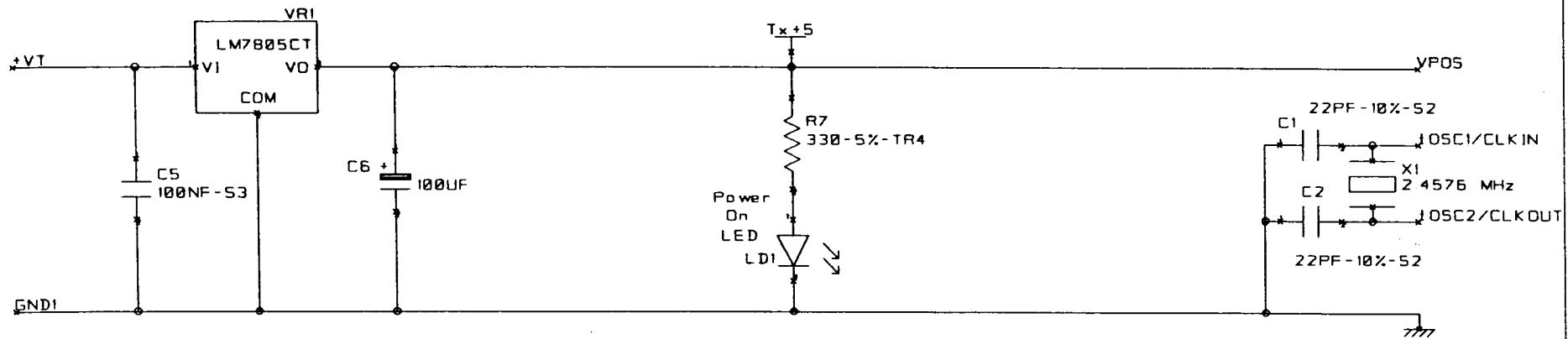
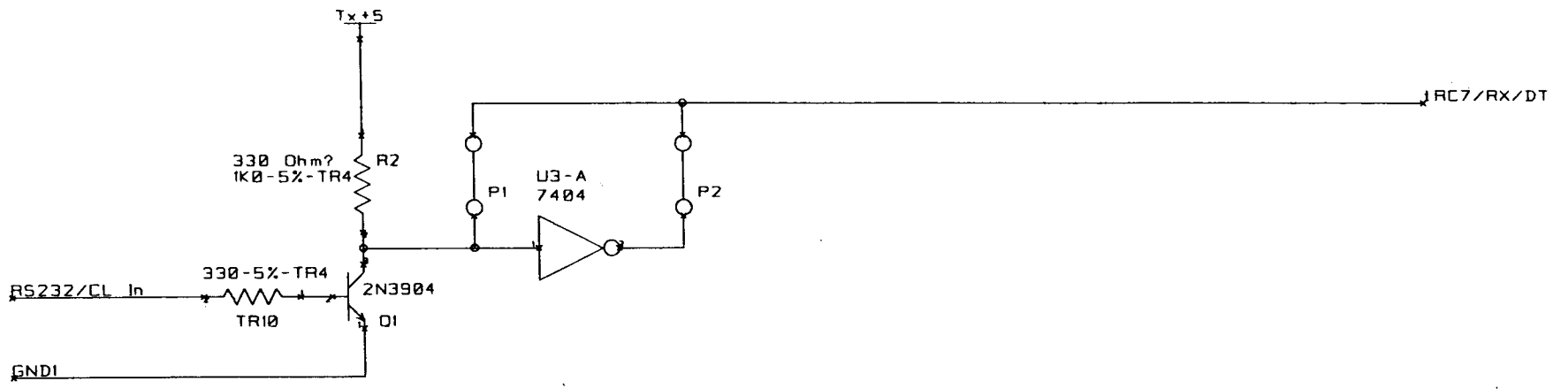


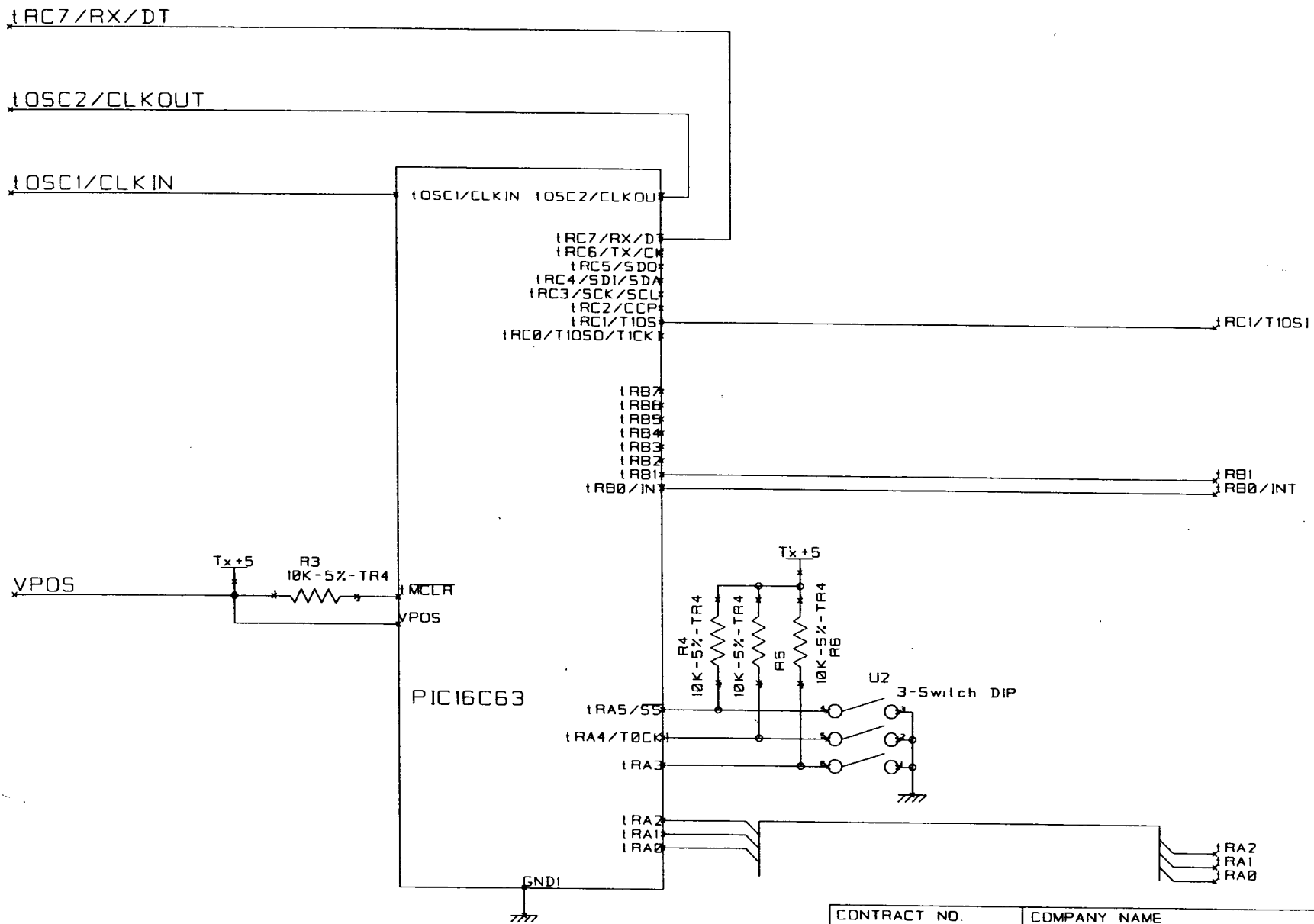
CONTRACT NO		COMPANY NAME			
		Paragon Dynamics, Incorporated			
APPROVALS	DATE	DWG Paracomm 900 -			
		Transmitter Top Level			
DRAWN	12/14/	SIZE	FSCM NO.	DWG NO.	REV
C. W. Kriel	98	A		PC900	D
CHECKED		SCALE		SHEET	
ISSUED				1T of 6T	



CONTRACT NO.		COMPANY NAME Paragon Dynamics, Incorporated			
APPROVALS	DATE	DWG Paracomm 900 - Transmitter Power			
DRAWN C. W. Kriel	12/14/98	SIZE A	FSCM NO.	DWG NO. PC900	REV D
CHECKED		SCALE			SHEET 21 of 61
ISSUED					



CONTRACT NO.		COMPANY NAME Paragon Dynamics, Incorporated			
APPROVALS	DATE	DWG Paracomm 900 - Transmitter Serial			
DRAWN C. W. Kriel	12/14/ 98	SIZE A	FSCM NO.	DWG NO PC900	REV. D
CHECKED		SCALE		SHEET 3T of 6T	
ISSUED					



CONTRACT NO.		COMPANY NAME Paragon Dynamics, Incorporated			
APPROVALS	DATE	DWG Paracomm 900 - Transmitter Processor			
DRAWN C. W. Kr. 12.1	12/14/98	SIZE A	FSCM NO.	DWG NO. PC900	REV D
CHECKED		SCALE			SHEET 4T of 6T
ISSUED					

VPOS

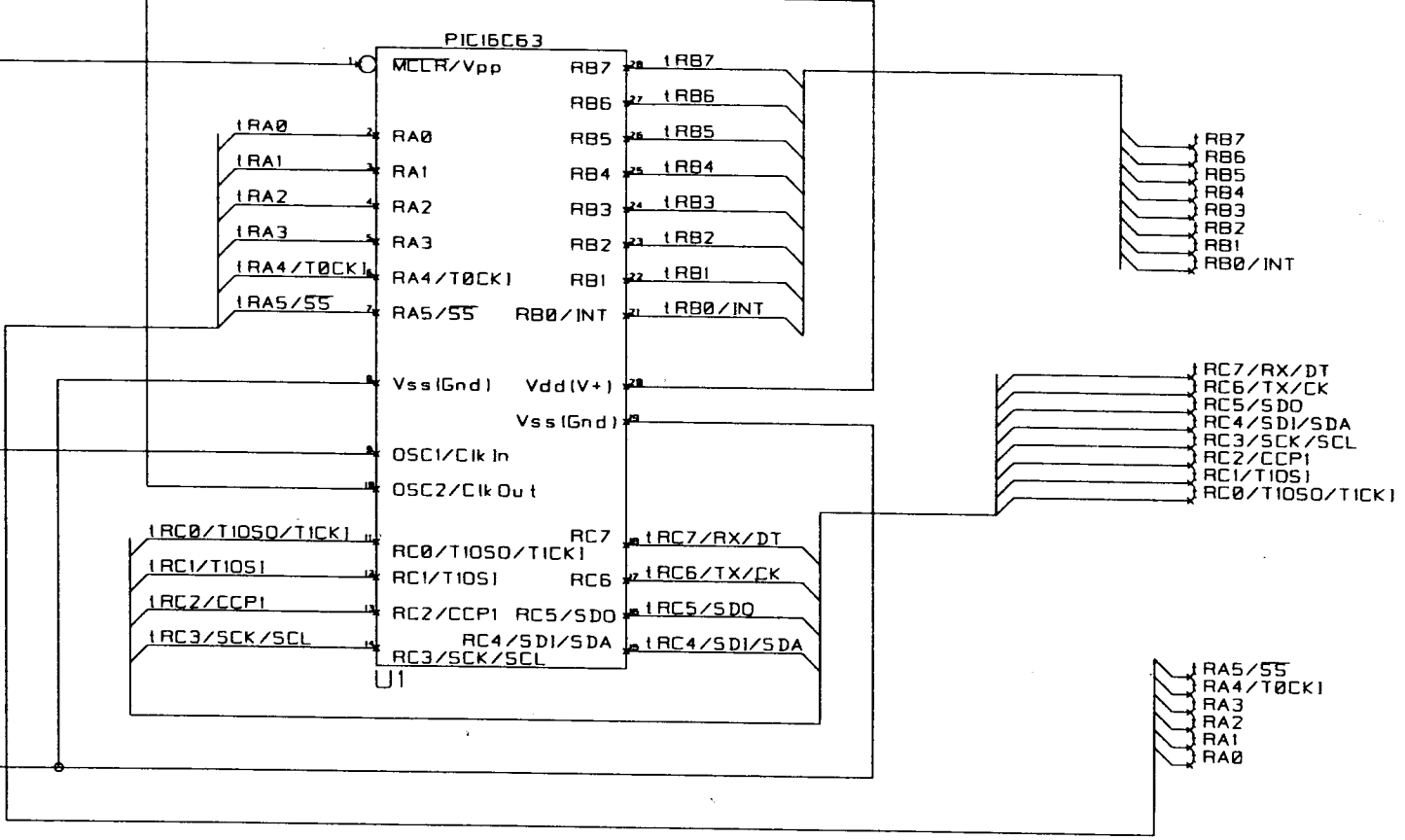
MCLR

OSC1/CLKIN

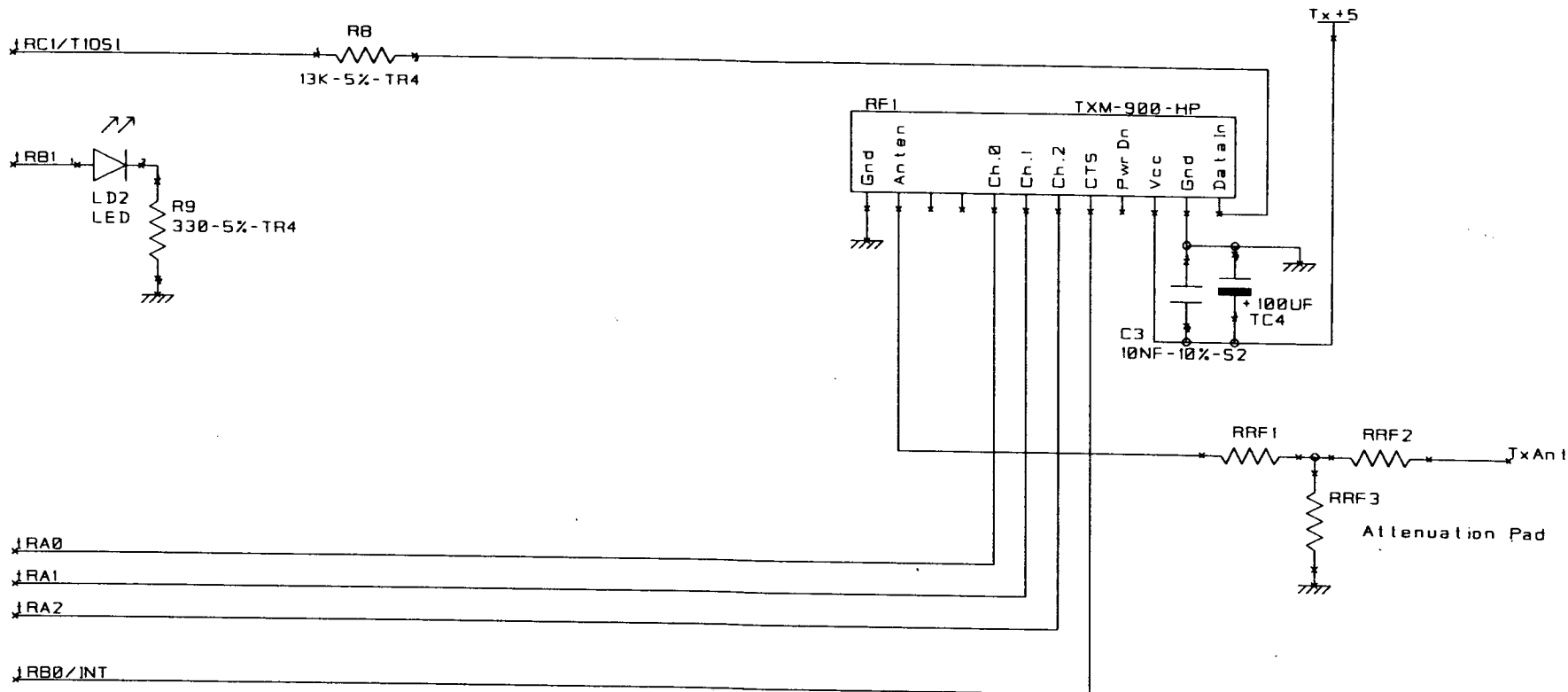
GND1

OSC2/CLKOUT

PIC16C63



CONTRACT NO.		COMPANY NAME Paragon Dynamics, Incorporated			
APPROVALS	DATE	DWG Paracomm 900 - Transmitter PIC			
DRAWN C. W. Kriel	12/14/98	SIZE A	FSCM NO.	DWG NO PC900	REV. D
CHECKED		SCALE			SHEET 5T of 6T
ISSUED					



CONTRACT NO		COMPANY NAME Paragon Dynamics, Incorporated			
APPROVALS	DATE	DWG Paracomm 900 - Transmitter RF			
DRAWN C. W. Kriel	12/14/98	SIZE A	FSCM NO.	DWG NO PC900	REV D
CHECKED		SCALE		SHEET 6T of 6T	
ISSUED					