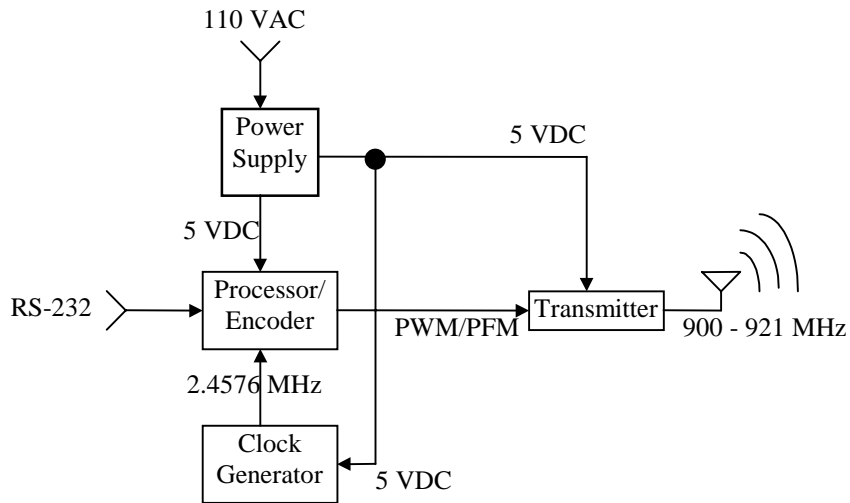


Block Diagrams:

Transmitting Unit:



Receiving Unit:

