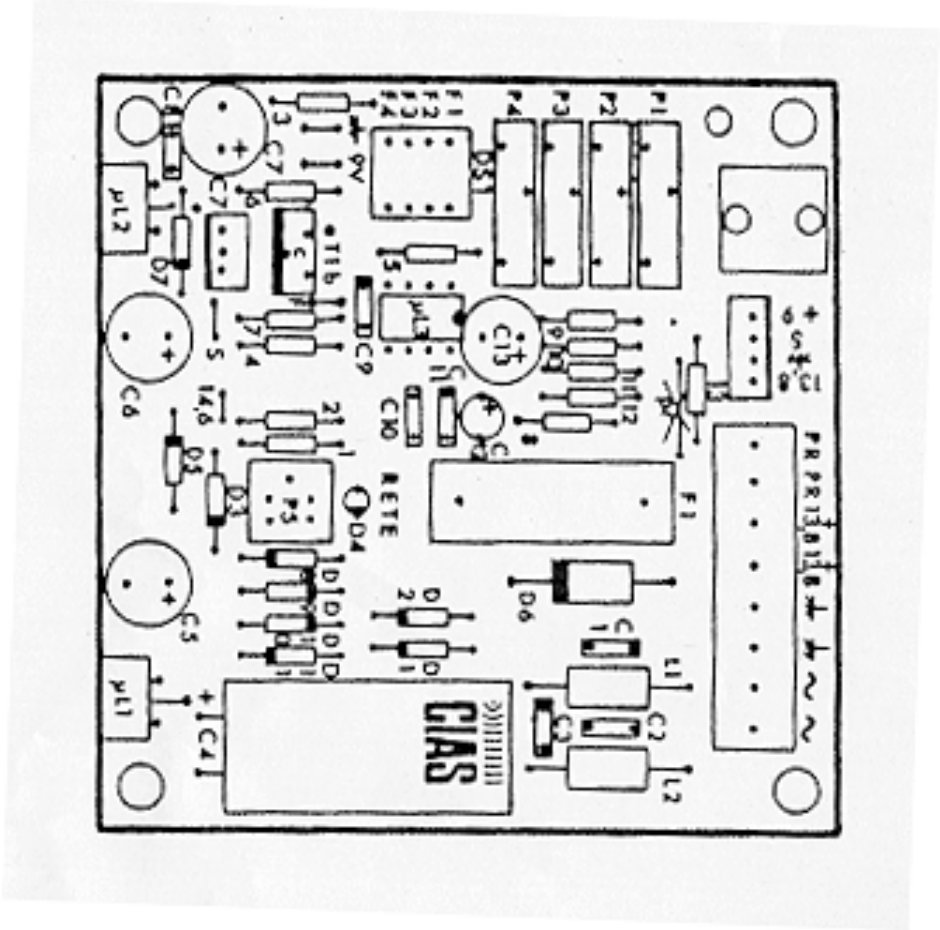
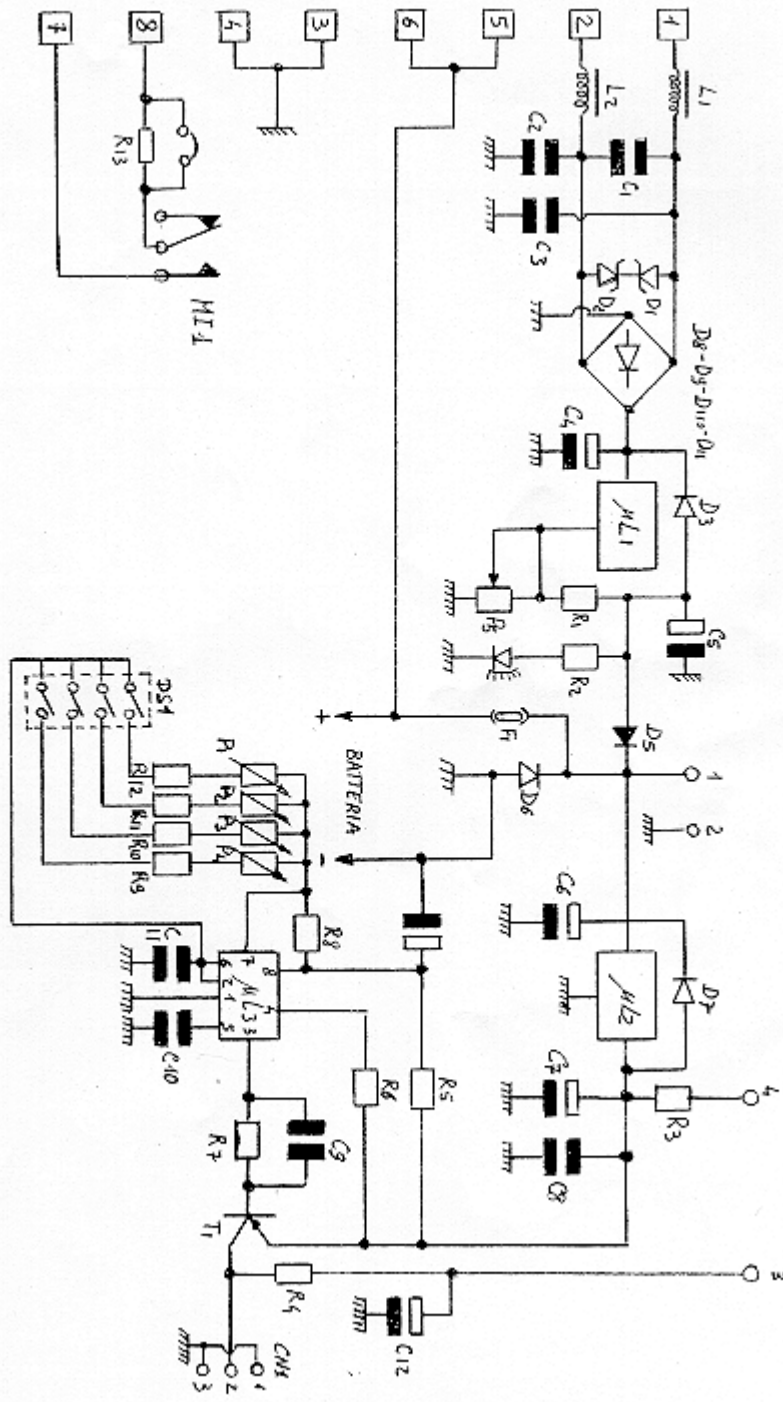


ERMO 482 Transmitter PCB



# ERMO 482 Transmitter Schematic





PART LIST		
PROCESSING CIRCUIT ERMO482 TX		
DATE: 02-09-97		CODE:SL2002
REF.	VALUES	DESCRIPTION
C1	0,1 µF 63 V10%	CERAMIC CONDENSER
C2	0,1µF 63 V10%	CERAMIC CONDENSER
C3	0,1 µF 63 V10%	CERAMIC CONDENSER
C4	1000 µF 35V	ELECTROLYTIC ALLUMINIUM CONDENSER
C5	220 µF 16V	ELECTROLYTIC ALLUMINIUM CONDENSER
C6	220 µF 16V	ELECTROLYTIC ALLUMINIUM CONDENSER
C7	220 µF 16V	ELECTROLYTIC ALLUMINIUM CONDENSER
C8	0,1 µF 63 V10%	CERAMIC CONDENSER
C9	4,7 nF 63V	METALLIC POLYESTER CONDENSER
C10	150 pF63 V 10%	CERAMIC CONDENSER
C11	4,7 nF 63V	METALLIC POLYESTER CONDENSER
C12	10 µF 16 V	ELECTROLYTIC ALLUMINIUM CONDENSER
C13	220 µF 16V	ELECTROLYTIC ALLUMINIUM CONDENSER
R1	470 OHM	RESISTANCE 1/4W 5%
R2	820 OHM	RESISTANCE 1/4W 5%
R3	1 KOHM	RESISTANCE 1/4W 5%
R4	1 KOHM	RESISTANCE 1/4W 5%
R5	56 OHM	RESISTANCE 1/4W 5%
R6	56 OHM	RESISTANCE 1/4W 5%
R7	1 KOHM	RESISTANCE 1/4W 5%
R8	1 KOHM	RESISTANCE 1/4W 5%
R9	43 KOHM	RESISTANCE 1/4W 2%
R10	24 KOHM	RESISTANCE 1/4W 2%
R11	18 KOHM	RESISTANCE 1/4W 5%
R12	10 KOHM	RESISTANCE 1/4W 5%
R13	5,6 KOHM	RESISTANCE 1/4W 5%
REF.	VALUES	DESCRIPTION
D1	33 V 1,3W	ZENER DIODE
D2	33 V 1,3W	ZENER DIODE
D3	1N4002 - 1A	SILICIUM DIODE
D4	3 mm	GREEN LED DIODE
D5	1N4002 - 1A	SILICIUM DIODE
D6	18 V - 1W	ZENER DIODE
D7	1N4002 - 1A	SILICIUM DIODE
D8	1N4002 - 1A	SILICIUM DIODE
D9	1N4002 - 1A	SILICIUM DIODE
D10	1N4002 - 1A	SILICIUM DIODE
D11	1N4002 - 1A	SILICIUM DIODE
D12	12 V - 1W	ZENER DIODE
µL1	12V 1,5A - LM7812	INTEGR. REG.
µL2	9 V 1A - 7809	INTEGR. REG.
µL3	LM555	TIMER
CN1	946040	MALE CONNec. 3 TERM.

CN02	946041	MALE CONNEC. 4 TERM.
L1	VK20009	INDUCTOR
L2	VK20009	INDUCTOR
F1	2A	FUSE
F1		FUSE HOLDER
F1		FUSE HOLDER COVER
DS1	4 BUTTOM	DIP SWITCH
T1	TIP 42	POWER PNP TRANSISTOR
P1	89 P 10 K	MET. CER. TRIMMER
P2	89 P 10 K	MET. CER. TRIMMER
P3	89 P 10 K	MET. CER. TRIMMER
P4	89 P 10 K	MET. CER. TRIMMER
P5	3386 P 500 OHM	MON. CER. TRIMMER
pr		Hg MOV. BULB
MS1		MALE CONNECTOR
VR1	39 V - 1A	VARISTOR
VR2	39 V - 1A	VARISTOR