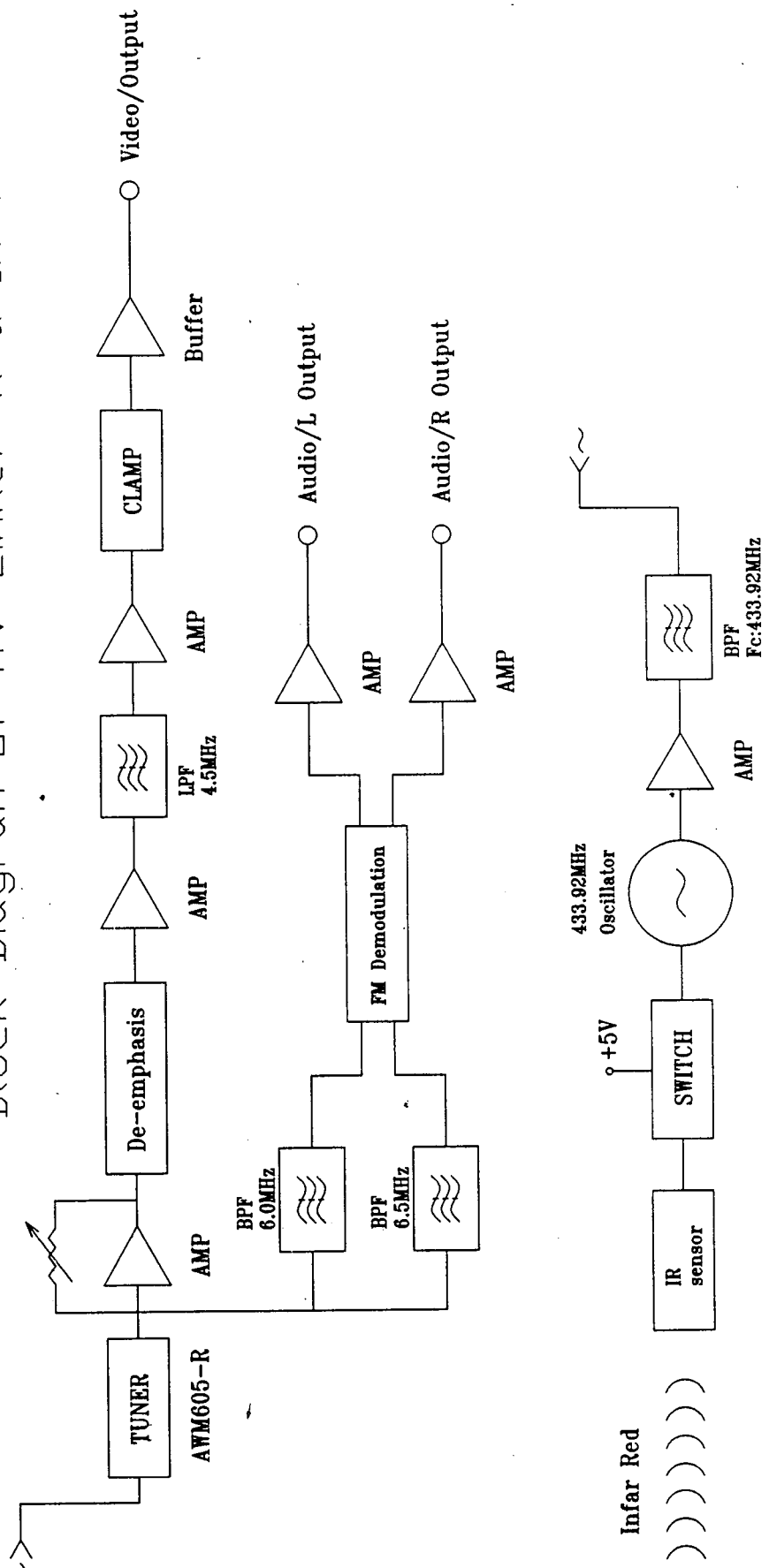


FOCID: OIBKAV-LINKERS1

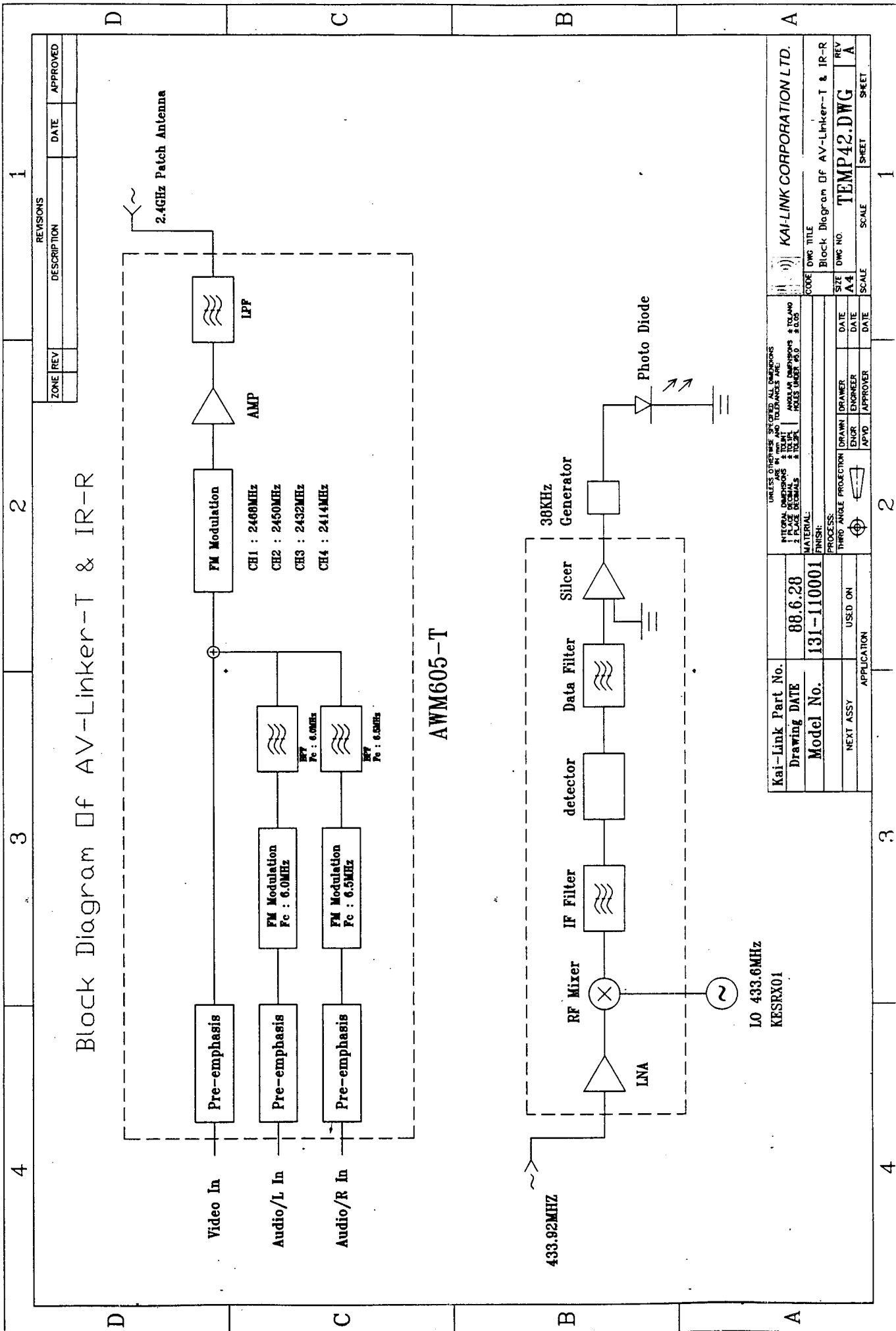
Block Diagram Of AV-Linker-R & IR-T



REVISIONS		DATE		APPROVED	
ZONE	REV	DESCRIPTION			

Kai-Link Part No.		88-8.24		KAI-LINK CORPORATION LTD.	
Drawing DATE		131-110002		Block Diagram Of AV-Linker-R & IR-T	
Model No.		USED ON		Dwg No. TEMP41.DWG	
NEXT ASSY		APPLICATION		REV A	
				SCALE	
				SHEET	
				1	

UNLESS OTHERWISE SPECIFIED ALL DIMENSIONS ARE IN INCH AND TOLERANCES ARE:  
 1 PLACE DIMENSIONS & TOLERANCES ARE:  
 2 PLACE DIMENSIONS & TOLERANCES ARE:  
 3 PLACE DIMENSIONS & TOLERANCES ARE:  
 MATERIAL:  
 FINISH:  
 PROCESS:  
 THIRD ANGLE PROJECTION DRAWN BY: [ ]  
 ENGR: [ ]  
 DATE: [ ]  
 APPROVED BY: [ ]  
 DATE: [ ]



Block Diagram Of AV-Linker-T & IR-R

AWM605-T

REVISIONS		DATE	APPROVED
ZONE	REV		

Kai-Link Part No.		88.6.28	
Drawing DATE		13J-11001	
Model No.		USED ON	
NEXT ASSY		APPLICATION	

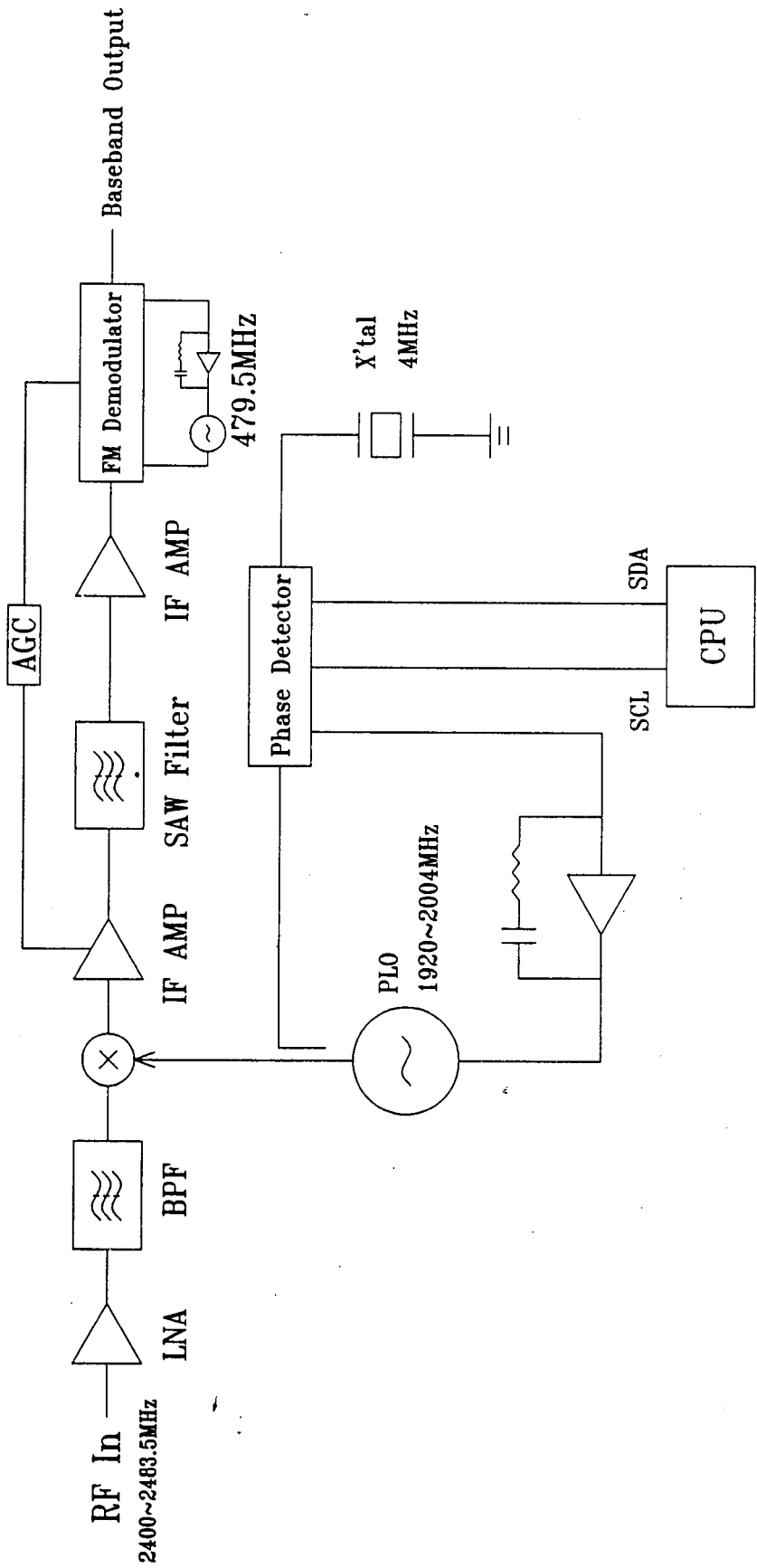
UNLESS OTHERWISE SPECIFIED ALL DIMENSIONS ARE IN MILLIMETERS AND DECIMALS ARE TO BE PLACED THEREAFTER.			
MATERIAL FINISH:			
PROCESS:	THRU ANGLE PROJECTION	DRAWN	ENGINEER
DATE	DATE	APVD	APPROVER
DATE	DATE		

CODE	DWG TITLE	SCALE	SHEET
	Block Diagram Of AV-Linker-T & IR-R		1

SIZE	SCALE	SHEET
A4		1

REV	REV
A	A

# Block Diagram Of AWM605-R (Tuner)



REVISIONS		DATE	APPROVED
ZONE	REV		

4 3 2 1

Kai-Link Part No.		88.8.24	
Drawing DATE		88.8.24	
Model No.			
NEXT ASSY		USED ON	
APPLICATION			
UNLESS OTHERWISE SPECIFIED ALL DIMENSIONS ARE IN MM AND TOLERANCES ARE: DIMENSIONS > 10MM ± 0.1MM DIMENSIONS 10MM & BELOW ± 0.05MM DIMENSIONS < 10MM ± 0.02MM DIMENSIONS < 10MM ± 0.01MM DIMENSIONS < 10MM ± 0.005MM			
MATERIAL:			
PROCESS:			
THIRD ANGLE PROJECTION			
DRAWN	ENGINEER	DATE	
APVD	APPROVER	DATE	
KAI-LINK CORPORATION LTD.		Block Diagram Of AWM605-R (Tuner)	
CODE	DWG TITLE	SCALE	SHEET
SIZE	DWG NO.	SCALE	SHEET
A4	TEMP44.DWG		1

4 3 2 1