

FCC ID: OHT3731465

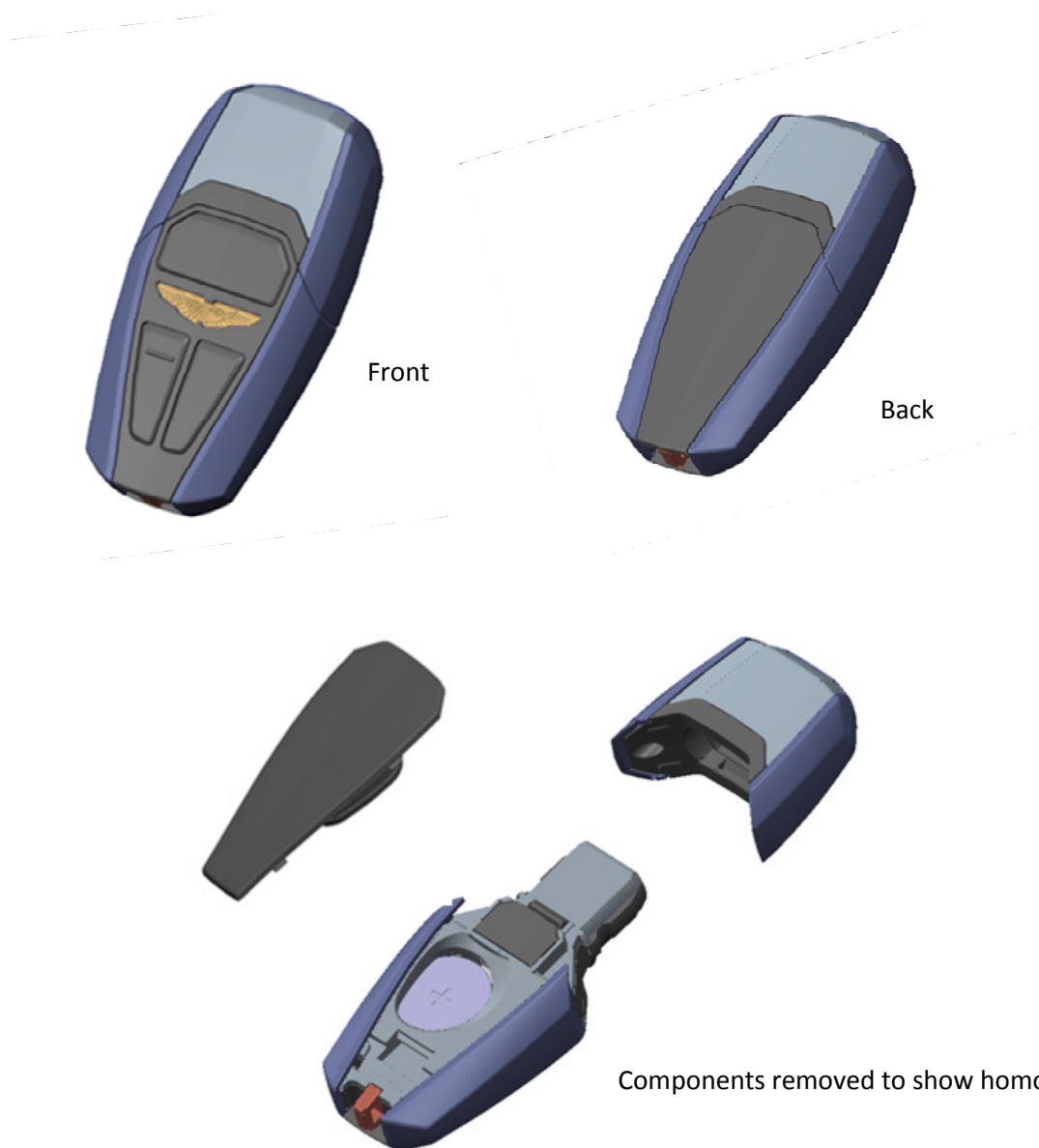
IC: 5461A-3731465

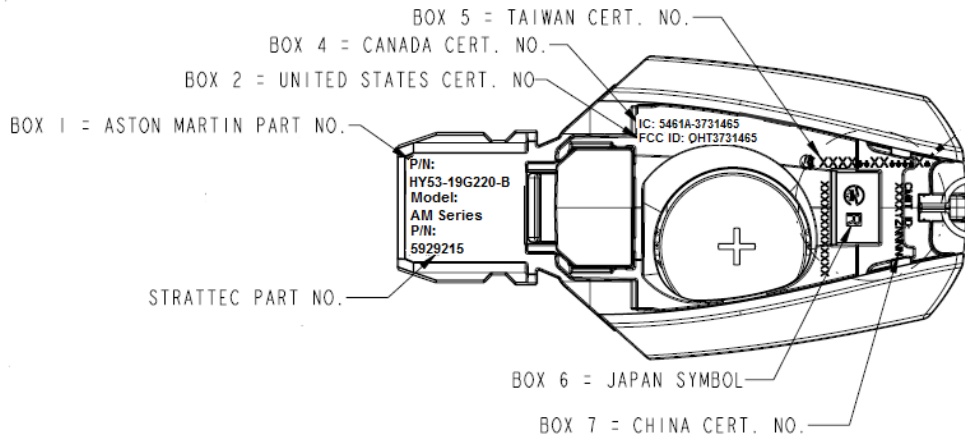
Model: AM Series

Part Numbers

- HY53-70290-B
- HY53-70290-D
- HY53-70290-F
- HY53-70290-H
- HY53-19G220-B

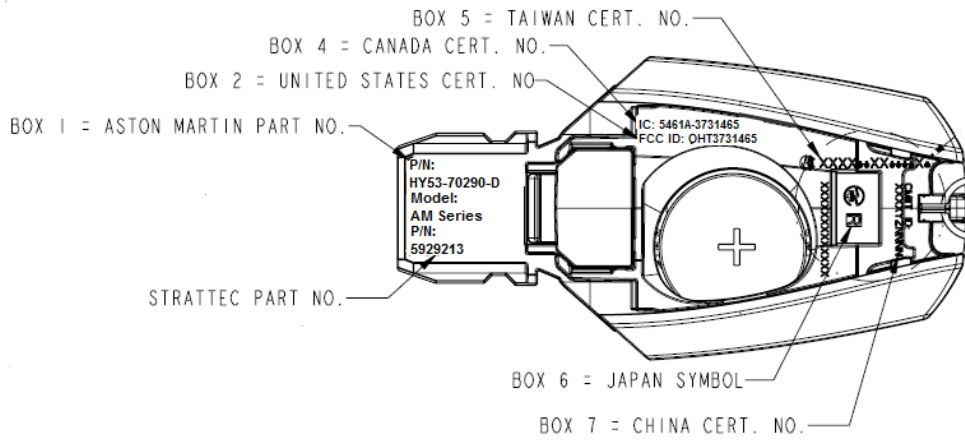
**Housing styles HY53-70290-B and HY53-70290-F employ metal (chrome) side latching elements over the plastic interior. Housing styles HY53-70290-D, HY53-70290-H, and HY53-19G220-B are identical to the previous housings but employ plastic side latching elements.**





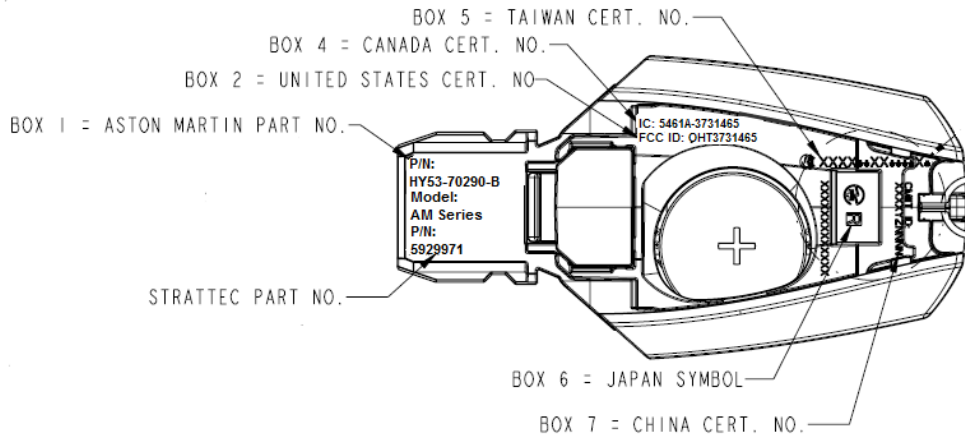
**VARIANT: 315MHz**

(MULTIPLE COMPONENTS REMOVED FOR CLARITY)



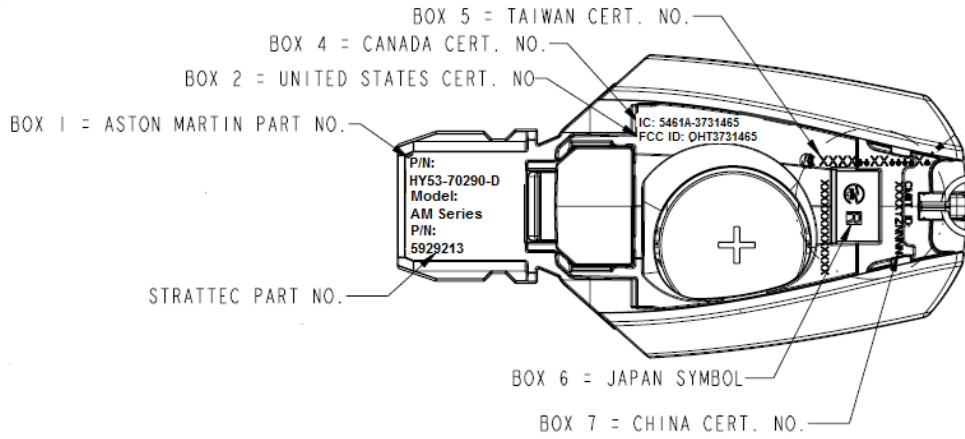
**VARIANT: 315MHz**

(MULTIPLE COMPONENTS REMOVED FOR CLARITY)



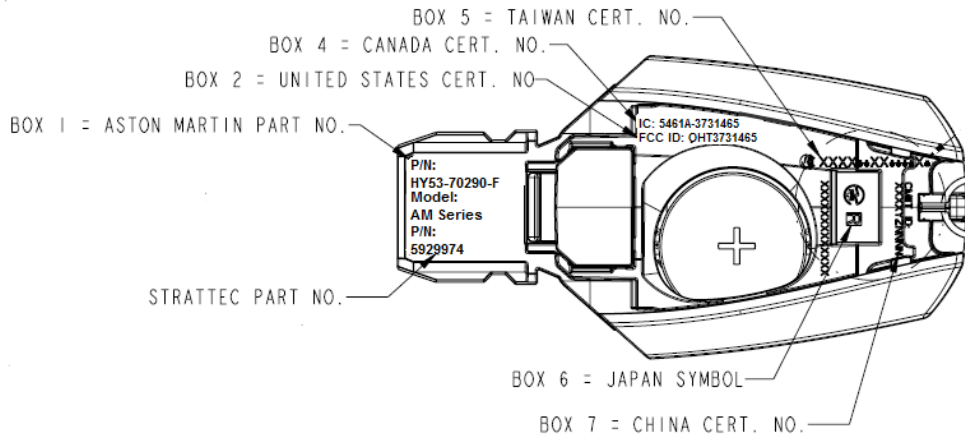
**VARIANT: 315MHz**

(MULTIPLE COMPONENTS REMOVED FOR CLARITY)



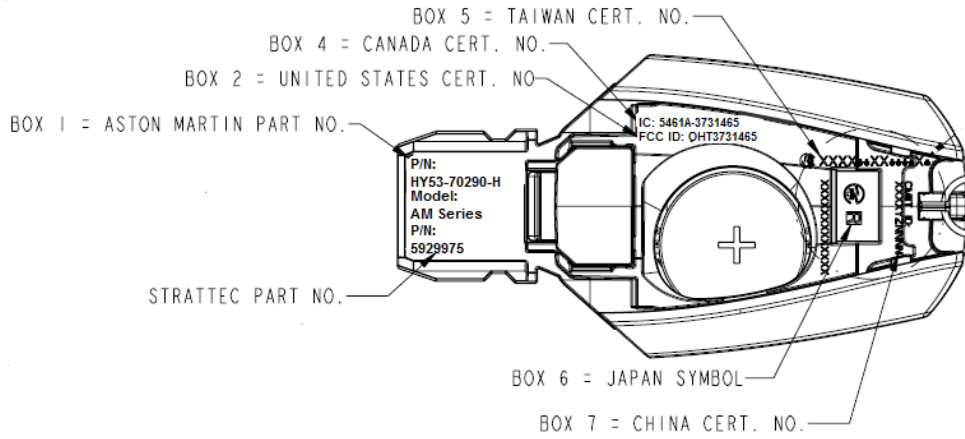
**VARIANT: 315MHz**

(MULTIPLE COMPONENTS REMOVED FOR CLARITY)



**VARIANT: 315MHz**

(MULTIPLE COMPONENTS REMOVED FOR CLARITY)



**VARIANT: 315MHz**

(MULTIPLE COMPONENTS REMOVED FOR CLARITY)