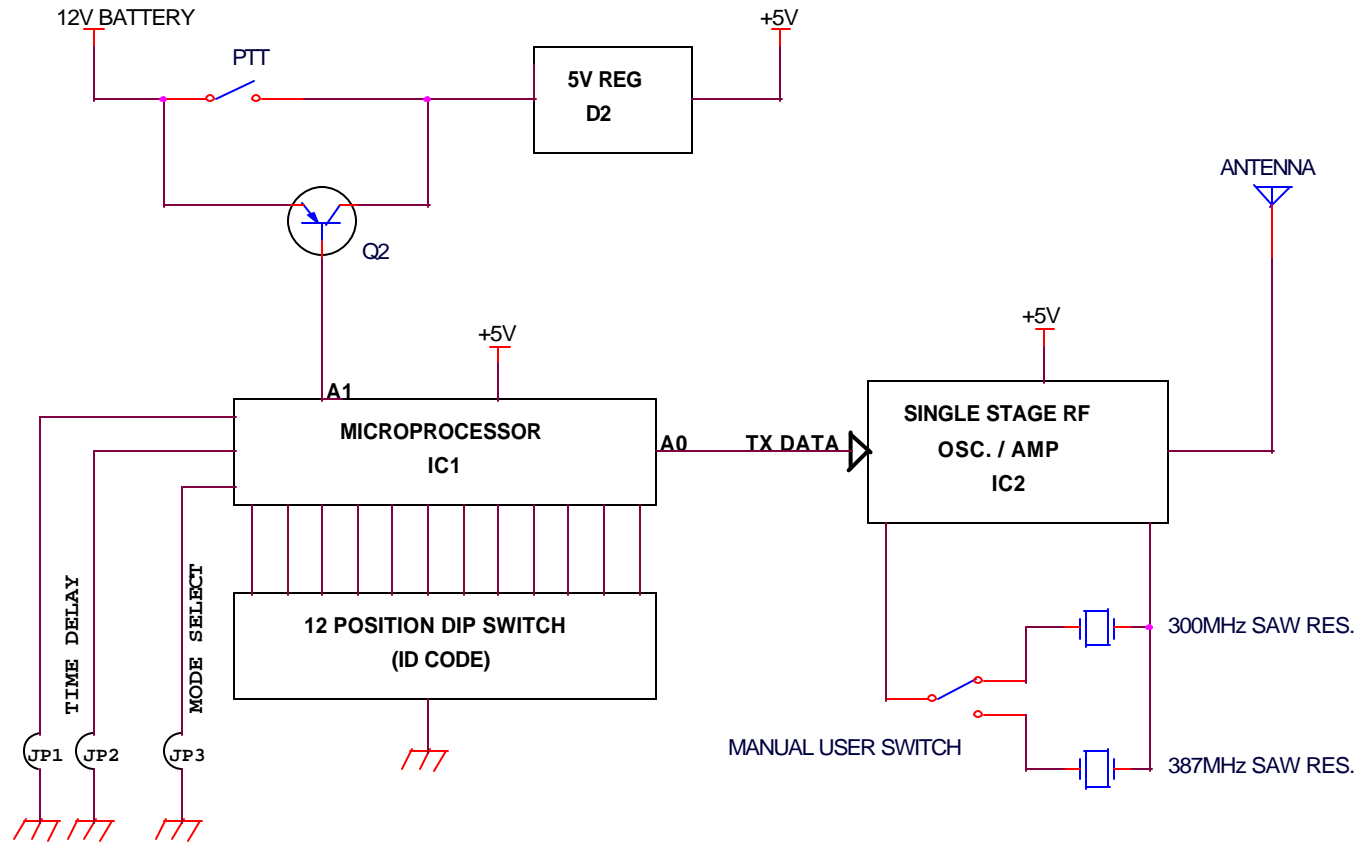


# CP-TXHH BLOCK DIAGRAM



DRAWN BY	RGBJ	8701 CASTLE PARK DRIVE
REVISION		INDIANAPOLIS IN 46256
SIZE		800-842-2546(V), 800-849-337(F)
TOLERANCES	CP-TXHH BLOCK DIAGRAM	
FILENAME	DATE 10-29-03	DRAWING NO.
	SHEET 1 of 1	<a href="http://www.msstedco.com">http://www.msstedco.com</a>