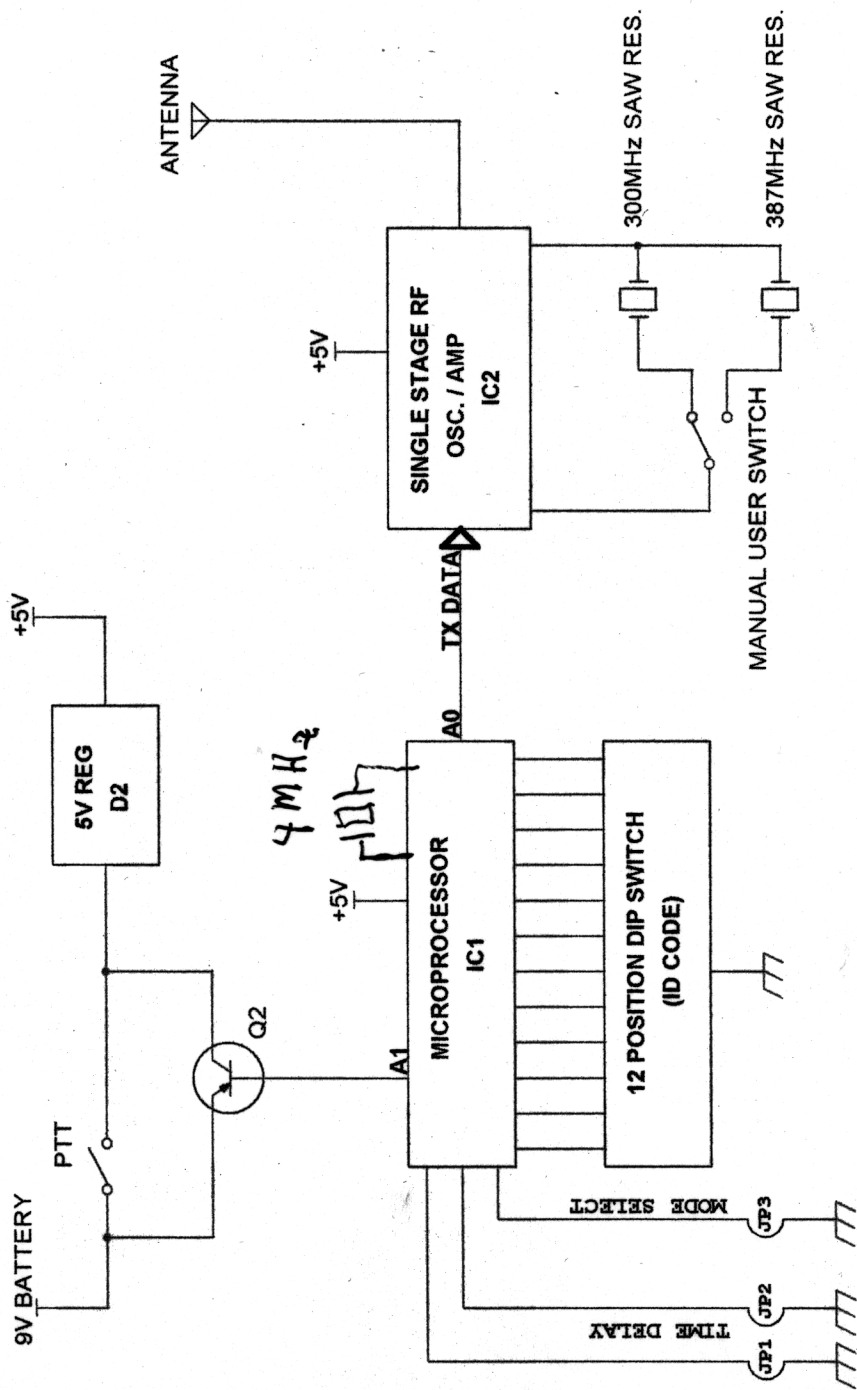


CP-TX BLOCK DIAGRAM



MSS
SEDCO

SENSORS & SWITCHES

DRAWN BY RGBJ 8701 CASTLE PARK DRIVE
 REVISION INDIANAPOLIS, IN 46256
 SIZE 800-942-2545(V), 800-849-3387(F)

TOLERANCES CP-TX BLOCK DIAGRAM

FILENAME DATE 4-9-03 DRAWING NO.

SHEET 1 of 1 <http://www.msseedco.com>