

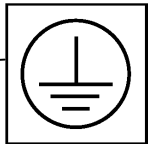
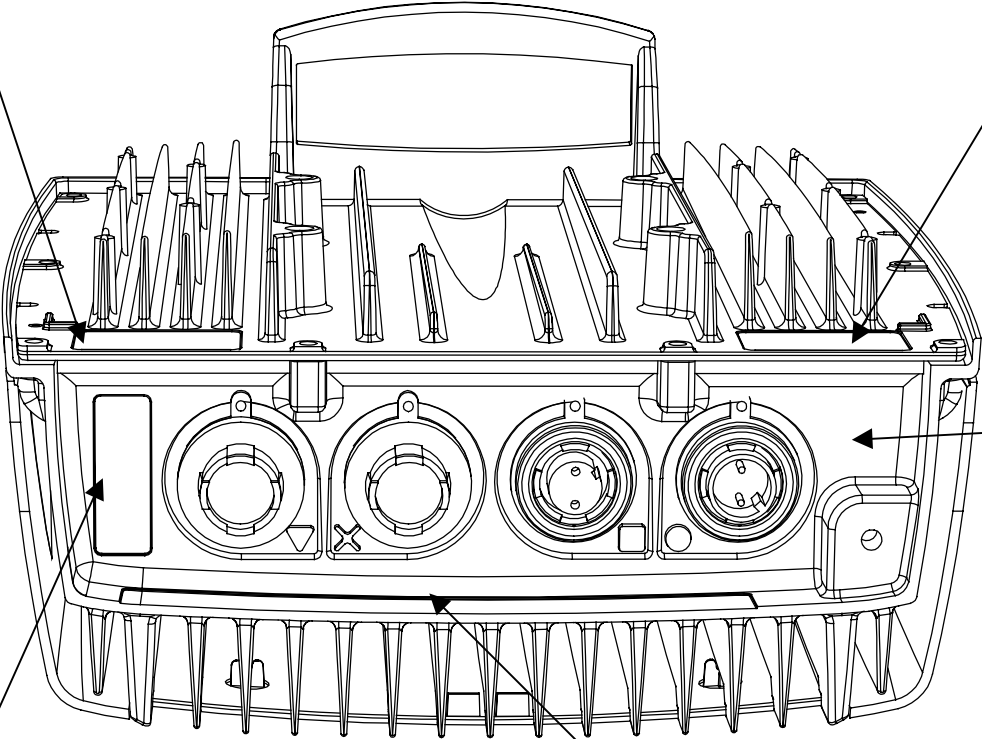
Type 0160101-BV  
**CE 0682X**  
 FCC ID: OHL FAU200 SAT  
 Made for Globalstar by ERICSSON

# Labelling Information for the Globalstar Fixed Access Unit (FAU200 SAT)



Hot Surface Label: (Ericsson part number SVF 930 1831 )  
 Label size:46mmx26mm

Approvals Label:  
 (Ericsson part number SVB 15390)  
 Label size:46mmx26mm



Protective Earth Label: (Ericsson part number SVF 930 1849 )  
 Label size:10mmx10mm

This device complies with Part 15 of the FCC rules. Operation is subject to the following two conditions:  
 1) This device may not cause harmful interference, and  
 2) This device must accept any interference received including interference that may cause undesired operation

**Globalstar Satellite Terminal  
 Fixed Access Unit  
 FAU200 SAT**  
 KRC 118 11 R1A

Serial Number: A61 XXXXCCC      IMEI Number: TTTTTT-FF-SSSSS-

Manufactured in Sweden      ERICSSON  
 Type: 0160101- BV    A A A  
 INPUT 44-54V = 1.0A MAX    YYWZZ

FCC Type Approval Declaration Label: (Ericsson part number SVF 930 1957)  
 Label size:46mmx15mm

Equipment Label: (Ericsson part number SVF 930 1814)  
 Label size:185mmx12mm

Document No: BA/EML/DP/FC 97:0820 Rev. A