

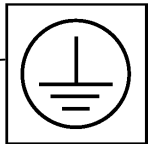
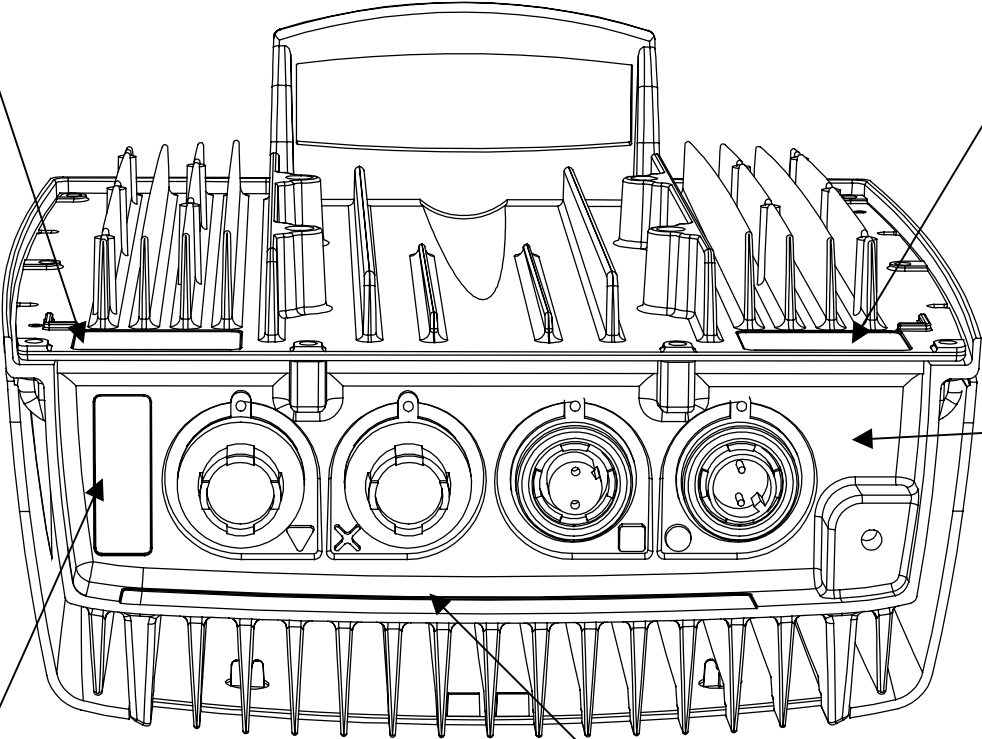
Type 0160101-BV
CE 0682X
 FCC ID: OHL FAU200 SAT
 Made for Globalstar by ERICSSON

Labelling Information for the Globalstar Fixed Access Unit (FAU200 SAT)



Hot Surface Label: (Ericsson part number SVF 930 1831)
 Label size:46mmx26mm

Approvals Label:
 (Ericsson part number SVB 15390)
 Label size:46mmx26mm



Protective Earth Label: (Ericsson part number SVF 930 1849)
 Label size:10mmx10mm

This device complies with Part 15 of the FCC rules. Operation is subject to the following two conditions:
 1) This device may not cause harmful interference, and
 2) This device must accept any interference received including interference that may cause undesired operation

Globalstar Satellite Terminal Fixed Access Unit FAU200 SAT KRC 118 11 R1A			Manufactured in Sweden ERICSSON
	Serial Number: A61 XXXXCC	IMEI Number: TTTTFF-SSSSS-	Type: 0160101- BV A A A INPUT 44-54V = 1.0A MAX YYWZZ

FCC Type Approval Declaration Label: (Ericsson part number SVF 930 1957)
 Label size:46mmx15mm

Equipment Label: (Ericsson part number SVF 930 1814)
 Label size:185mmx12mm