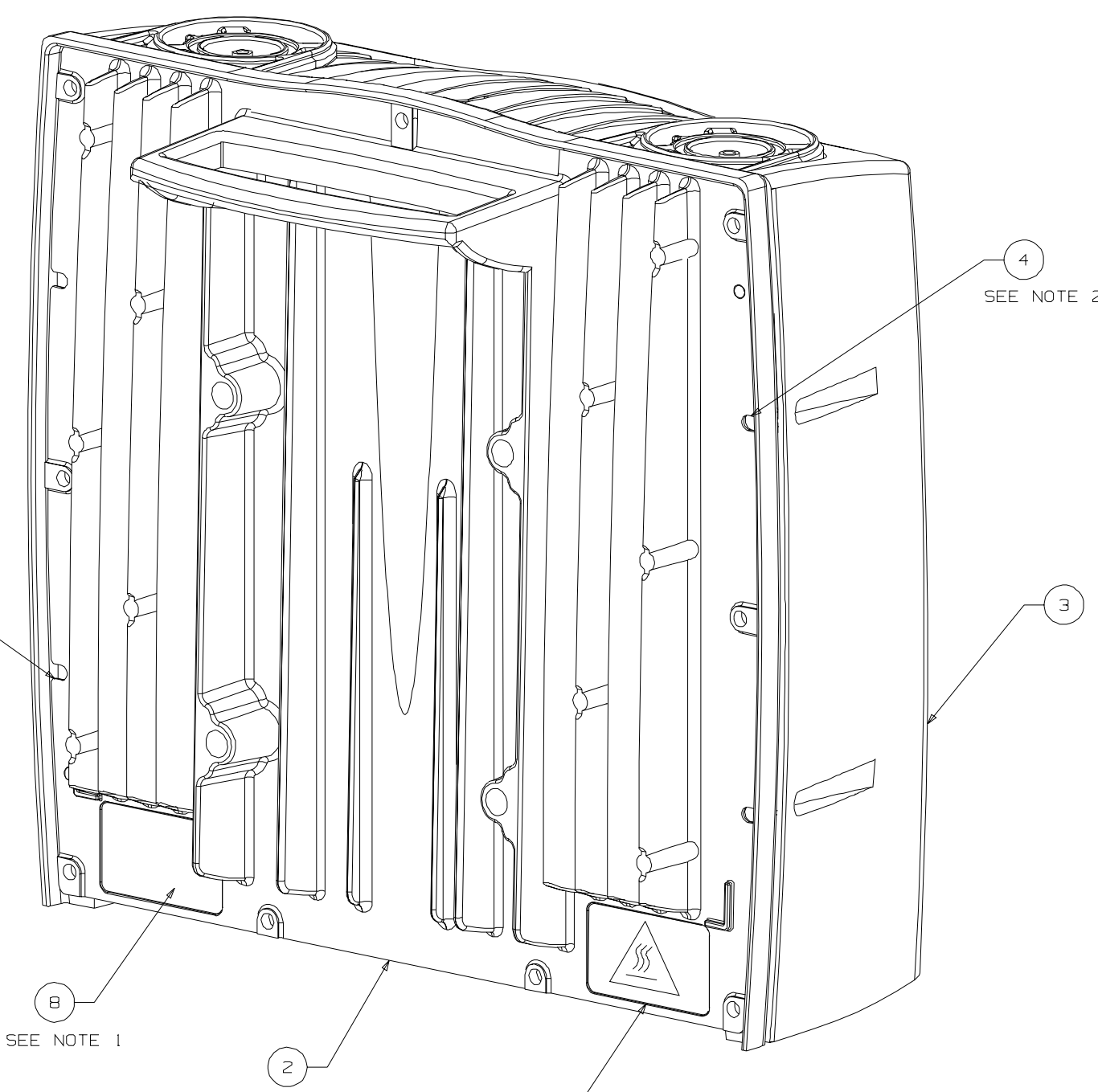


BACKPLATE NOT SHOWN FOR CLARITY

SEE NOTE 3  
 SEE NOTE 1

- ASSEMBLY INSTRUCTIONS
1. ENSURE SURFACES ARE DRY, CLEAN AND FREE FROM GREASE PRIOR TO AFFIXING LABELS (ITEMS 5, 6, 7 & 8) ENSURE LABELS ARE SECURE.
  2. SECURE ITEMS 2 & 3 TO ITEM 1 USING ITEM 4 IN POSITIONS SHOWN.
  3. ENSURE DUST CAPS ARE SECURED IN POSITION.



6 (x3)  
 SEE NOTE 1

4  
 SEE NOTE 2

8  
 SEE NOTE 1

2

5  
 SEE NOTE 1

4  
 SEE NOTE 2

3

This drawing approved according to 1776 -KRC 118 11-5 Uen

<b>ERICSSON</b> UG V13.0.4 Ritn/regler-Drawing rules 1011-386 Toleranser-Tolerances 1030-103 m Skala/Scale 1:1	Uppgrävd/Prepared (also subject responsible if other) BA/EML/AE/M Ray Gates
	Datum/Date BA/EML/AE/M P Saunders 99:06:21 Rev B
Dokumentnr./Document No 15188 -KRC 118 11 Uen	Produktnamn/Product name FAU MAIN ASSEMBLY Blad/Sheet 1(1)