

FCC 47 CFR PART 15 SUBPART C

Product Type : Rugged Tablet Computer
Applicant : AAEON Technology. Inc.
Address : 5F, No. 135, Lane 235, Pao Chiao Rd., Taiwan, ROC
Trade Name : AAEON
Model Number : xxxRTC-700y-TAxx-WBGz-xxxx
FCC ID : OHBRTC700RAWBGH
Test Specification : FCC 47 CFR PART 15 SUBPART C: Oct., 2011
ANSI C63.4-2009
Application Purpose: : Original
Receive Date : May 30, 2012
Issue Date : Jul. 11, 2012

Issue by

A Test Lab Techno Corp.
No. 140-1, Changan Street, Bade City,
Taoyuan County 334, Taiwan R.O.C.
Tel : +886-3-2710188 / Fax : +886-3-2710190



Taiwan Accreditation Foundation accreditation number: 1330

Note: This report shall not be reproduced except in full, without the written approval of A Test Lab Techno Corp. This document may be altered or revised by A Test Lab Techno Corp. personnel only, and shall be noted in the revision section of the document. The client should not use it to claim product endorsement by TAF, or any government agencies. The test results in the report only apply to the tested sample.

Revision History

Rev.	Issue Date	Revisions	Revised By
00	Jul. 11, 2012	Initial Issue	

Verification of Compliance

Issued Date: 07/11/2012

Product Type : Rugged Tablet Computer
Applicant : AAEON Technology. Inc.
Address : 5F, No. 135, Lane 235, Pao Chiao Rd., Taiwan, ROC
Trade Name : AAEON
Model Number : xxxRTC-700y-TAxx-WBGz-xxxx
FCC ID : OHBRTC700RAWBGH
EUT Rated Voltage : DC 12V, 2A
Test Voltage : 120 Vac / 60 Hz
Applicable Standard : FCC 47 CFR PART 15 SUBPART C: Oct., 2011
ANSI C63.4-2009
Test Result : Complied
Application : Original
Purpose :
Performing Lab. : A Test Lab Techno Corp.

No. 140-1, Changan Street, Bade City,
Taoyuan County 334, Taiwan R.O.C.

Tel : +886-3-2710188 / Fax : +886-3-2710190

Taiwan Accreditation Foundation accreditation number:
1330



<http://www.atl-lab.com.tw/e-index.htm>

The above equipment was tested by A Test Lab Techno Corp. The test data, data evaluation, test procedures, and equipment configurations shown in this report were made in accordance with the procedures given in ANSI C63.4: 2009 and the energy emitted by the sample tested as described in this report is in compliance with the requirements of FCC Rules Part 15.207, 15.209, 15.247 .

The test results of this report relate only to the tested sample identified in this report.

Approved By : 

(Manager)

(Murphy Wang)

Reviewed By : 

(Testing Engineer)

(Fly Lu)

TABLE OF CONTENTS

1	General Information	6
2	EUT Description	7
3	Test Methodology.....	8
3.1.	Mode of Operation.....	8
3.2.	EUT Exercise Software.....	9
3.3.	Configuration of Test System Details.....	9
3.4.	Test Site Environment.....	10
4	Conducted Emission Measurement	11
4.1.	Limit	11
4.2.	Test Instruments	11
4.3.	Test Setup.....	11
4.4.	Test Procedure.....	12
4.5.	Test Result.....	13
5	Radiated Interference Measurement	17
5.1.	Limit	17
5.2.	Test Instruments	17
5.3.	Setup	18
5.4.	Test Procedure.....	19
5.5.	Test Result.....	21
6	Maximum Conducted Output Power Measurement.....	27
6.1.	Limit	27
6.2.	Test Setup.....	27
6.3.	Test Instruments	27
6.4.	Test Procedure.....	27
6.5.	Test Result.....	28
7	Minimum 20dB RF Bandwidth Measurement	29
7.1.	Limit	29
7.2.	Test Setup.....	29
7.3.	Test Instruments	29
7.4.	Test Procedure.....	29
7.5.	Test Result.....	30
7.6.	Test Graphs	31
8	Carrier Frequency Separation Measurement	33
8.1.	Limit	33
8.2.	Test Setup.....	33
8.3.	Test Instruments	33
8.4.	Test Procedure.....	34
8.5.	Test Result.....	35
8.6.	Test Graphs	36

9	Number of Hopping Measurement	37
9.1.	Limit	37
9.2.	Test Setup.....	37
9.3.	Test Instruments	37
9.4.	Test Procedure.....	37
9.5.	Test Result.....	38
9.6.	Test Graphs	39
10	Time of Occupancy (Dwell Time) Measurement.....	41
10.1.	Limit	41
10.2.	Test Setup.....	41
10.3.	Test Instruments	41
10.4.	Test Procedure.....	41
10.5.	Test Result.....	42
10.6.	Test Graphs	44
11	Out of Band Conducted Emissions Measurement	46
11.1.	Limit	46
11.2.	Test Setup.....	46
11.3.	Test Instruments	46
11.4.	Test Procedure.....	46
11.5.	Test Graphs	47
12	Band Edges Measurement	49
12.1.	Limit	49
12.2.	Test Setup.....	49
12.3.	Test Instruments	49
12.4.	Test Procedure.....	50
12.5.	Test Result.....	51
13	99 % Occupied Bandwidth Measurement	61
13.1.	Limit	61
13.2.	Test Setup.....	61
13.3.	Test Instruments	61
13.4.	Test Procedure.....	61
13.5.	Test Result.....	62
13.6.	Test Graphs	63
14	Antenna Measurement.....	65
14.1.	Limit	65
14.2.	Antenna Connector Construction	65

1 General Information

1.1 Summary of Test Result

Standard		Item	Result	Remark
15.247	RSS-GEN			
15.207	7.2.2	AC Power Conducted Emission	PASS	-----
-----	6	Receiver Radiated Emissions	PASS	-----
Standard		Item	Result	Remark
15.247	RSS-210			
15.247(c)	A8.5	Transmitter Radiated Emissions	PASS	-----
15.247(b)(1)	A8.4 (2)	Max. Output Power	PASS	-----
15.247(a)(1)	A8.1 (1)	20dB RF Bandwidth	PASS	-----
15.247(a)(1)(iii)	A8.1 (2)	Carrier Frequency Separation	PASS	-----
15.247(a)(1)(iii)	A8.1 (4)	Number of Hopping	PASS	-----
15.247(a)(1)(iii)	A8.1 (4)	Time of Occupancy (Dwell Time)	PASS	-----
15.247(c)	A8.5	Out of Band Conducted Spurious Emission	PASS	-----
15.247(c)	A8.5	Band Edge Measurement	PASS	-----
15.203	-	Antenna Requirement	PASS	-----

The test results of this report relate only to the tested sample(s) identified in this report. Manufacturer or whom it may concern should recognize the pass or fail of the test result.

1.2 Measurement Uncertainty

Conducted Emission

The measurement uncertainty is evaluated as ± 2.24 dB.

Radiated Emission

The measurement uncertainty is evaluated as ± 3.072 dB.

2 EUT Description

Product	:	Rugged Tablet Computer		
Trade Name	:	AAEON		
Model Number	:	xxxRTC-700y-TAxx-WBGz-xxxx (x is for marketing purpose) 1. xxx=TF-(TF: Toxic Free) or blank 2. xx=SD (S: sunlight readable, D: Digitizer) or blank 3. xxxx=SW revision, ex: 1110=rev1, x:0~9 (y=R or A(R:Virgo,A:Aries)) (z is blank or H,blank means without 3G function;H means with 3G function)		
Applicant	:	AAEON Technology. Inc. 5F, No. 135, Lane 235, Pao Chiao Rd.,Taiwan, ROC		
Manufacturer	:	AAEON Technology. Inc. 5F, No. 135, Lane 235, Pao Chiao Rd.,Taiwan, ROC		
FCC ID	:	OHBRTC700RAWBGH		
Frequency Range	:	2402 ~ 2480 MHz		
Modulation Type	:	GFSK for 1Mbps $\pi/4$ -DQPSK for 2Mbps		
Antenna Type	:	PCB Type		
Antenna Gain	:	3.91 dBi		
RF Output Power (Conducted)	:	GFSK for 1Mbps $\pi/4$ -DQPSK for 2Mbps	6.87 dBm / 9.49 dBm /	0.00486 W 0.00889 W
Component				
Power Adapter	:	L.E.I, LTE24E-S2-2 Input:100-240VAC, 50-60Hz, 1A Output: 12.0VDC, 2A Cable in: Non-Shielded, 1.8 m, Detachable at Power Adapter Cable out: Non-Shielded, 1.8 m, Non-Detachable at Power Adapter		

3 Test Methodology

3.1. Mode of Operation

Decision of Test ATL has verified the construction and function in typical operation. All the test modes were carried out with the EUT in normal operation, which was shown in this test report and defined as:

Test Mode
Mode 1: TF-RTC-700R-TA-WBG-1110_IDLE Mode
Mode 2: TF-RTC-700R-TA-WBG-1110_Normal Operation Mode
Mode 3: TF-RTC-700A-TA-WBGH-1110_Normal Operation Mode
Mode 4: TF-RTC-700R-TA-WBG-1110_GFSK Link Mode
Mode 5: TF-RTC-700R-TA-WBG-1110_π/4-DQPSK Link Mode
Mode 6: TF-RTC-700R-TA-WBG-1110_Receiver Mode

Note: 1. TF-RTC-700R-TA-WBG-1110 and TF-RTC-700A-TA-WBGH-1110 differ from each other in case material. After our engineering evaluation, TF-RTC-700A-TA-WBGH-1110 only need to test the below 1GHz of Radiated Emission.

- By preliminary testing and verifying three axis (X, Y and Z) position of EUT transmitted status, it was found that "X axis" position was the worst, then the final test was executed the worst condition and test data were recorded in this report.

Description of Test Modes

Preliminary tests were performed in different modulation to find the worst case. The modulation shown in the table below is the worst-case. Investigation has been done on all the possible configurations for searching the worst cases. The following table is a list of the test modes shown in this test report.

Modulation Type	Channel	Frequency (MHz)	Packet Type	Peak Conducted Power		Worst Case
				(dBm)	(W)	
GFSK	Low	2402	DH1	6.19	0.00416	<input type="checkbox"/>
	Low	2402	DH3	6.21	0.00418	<input type="checkbox"/>
	Low	2402	DH5	6.23	0.00420	<input type="checkbox"/>
	Middle	2441	DH1	6.81	0.00480	<input type="checkbox"/>
	Middle	2441	DH3	6.84	0.00483	<input type="checkbox"/>
	Middle	2441	DH5	6.87	0.00486	<input type="checkbox"/>
	High	2480	DH1	6.80	0.00479	<input type="checkbox"/>
	High	2480	DH3	6.82	0.00481	<input type="checkbox"/>
	High	2480	DH5	6.83	0.00482	<input type="checkbox"/>
π/4-DQPSK	Low	2402	2DH1	8.81	0.00760	<input type="checkbox"/>
	Low	2402	2DH3	8.84	0.00766	<input type="checkbox"/>
	Low	2402	2DH5	8.90	0.00776	<input type="checkbox"/>
	Middle	2441	2DH1	9.37	0.00865	<input type="checkbox"/>
	Middle	2441	2DH3	9.48	0.00887	<input type="checkbox"/>
	Middle	2441	2DH5	9.49	0.00889	<input checked="" type="checkbox"/>
	High	2480	2DH1	9.37	0.00865	<input type="checkbox"/>
	High	2480	2DH3	9.39	0.00869	<input type="checkbox"/>
High	2480	2DH5	9.42	0.00875	<input type="checkbox"/>	

Tested System Details

The types for all equipments, plus descriptions of all cables used in the tested system (including inserted cards) are:

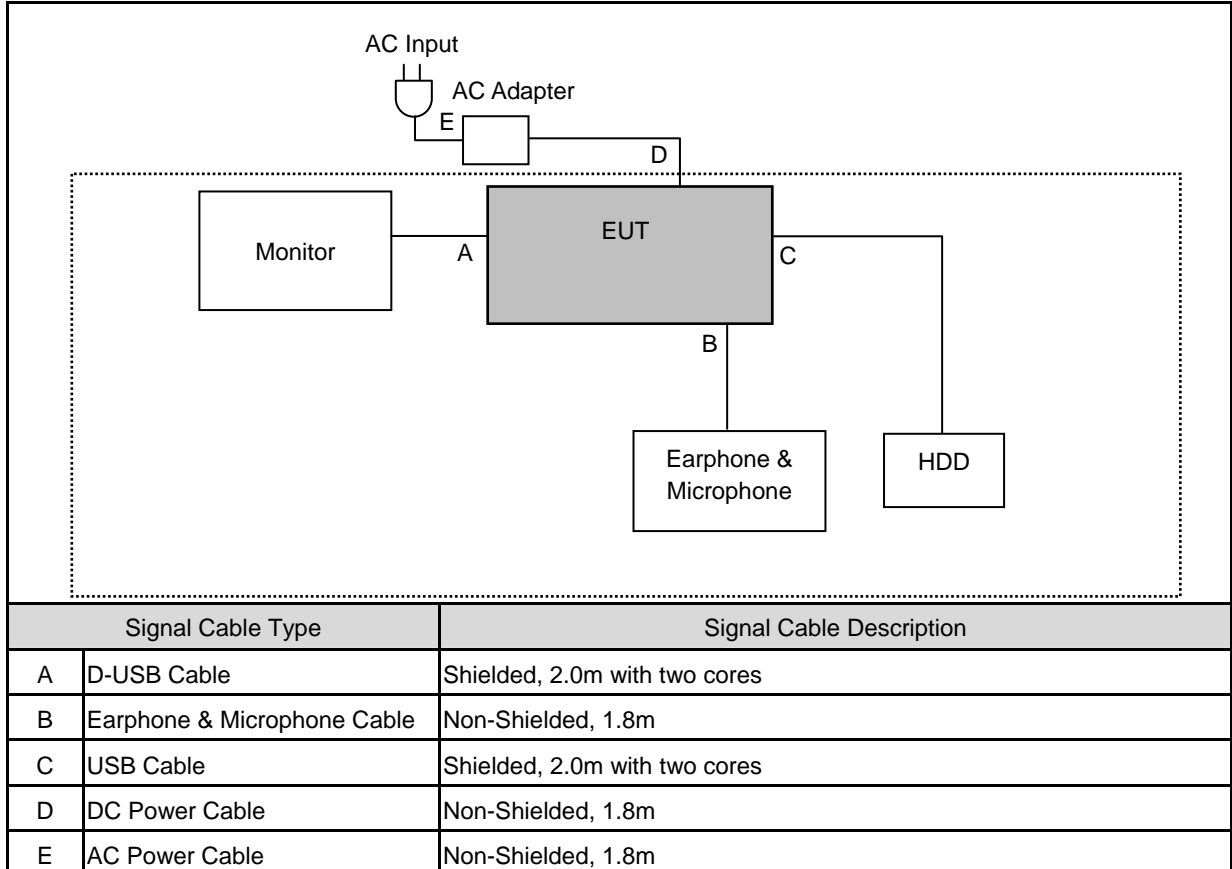
	Product	Manufacturer	Model Number	Serial Number	Power Cord
1.	Bluetooth Tester	R & S	CBT	100350	NA

3.2. EUT Exercise Software

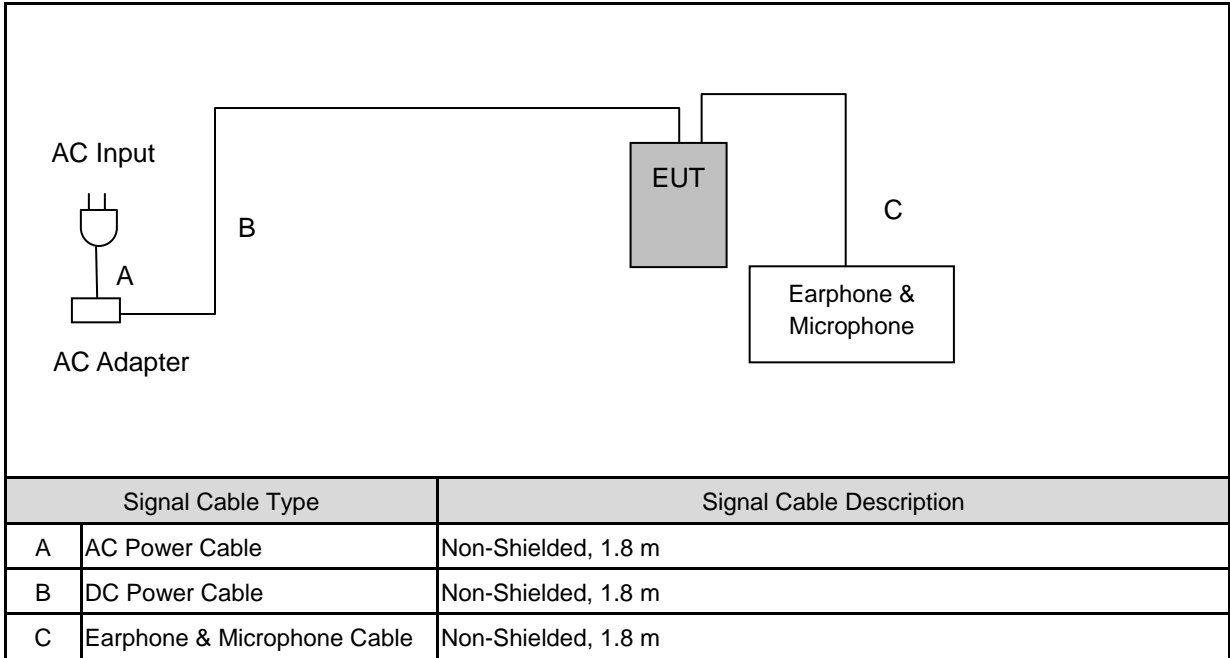
1.	Setup the EUT and Bluetooth Tester (CBT) as shown on 3.3.
2.	Turn on the power of all equipment.
3.	EUT run test program.
4.	Open Bluetooth function link to CBT.

3.3. Configuration of Test System Details

Conducted Emission



Radiated Emission



3.4. Test Site Environment

Items	Required (IEC 68-1)	Actual
Temperature (°C)	15-35	26
Humidity (%RH)	25-75	60
Barometric pressure (mbar)	860-1060	950

4 Conducted Emission Measurement

4.1. Limit

Frequency (MHz)	Quasi-peak	Average
0.15 - 0.5	66 to 56	56 to 46
0.50 - 5.0	56	46
5.0 - 30.0	60	50

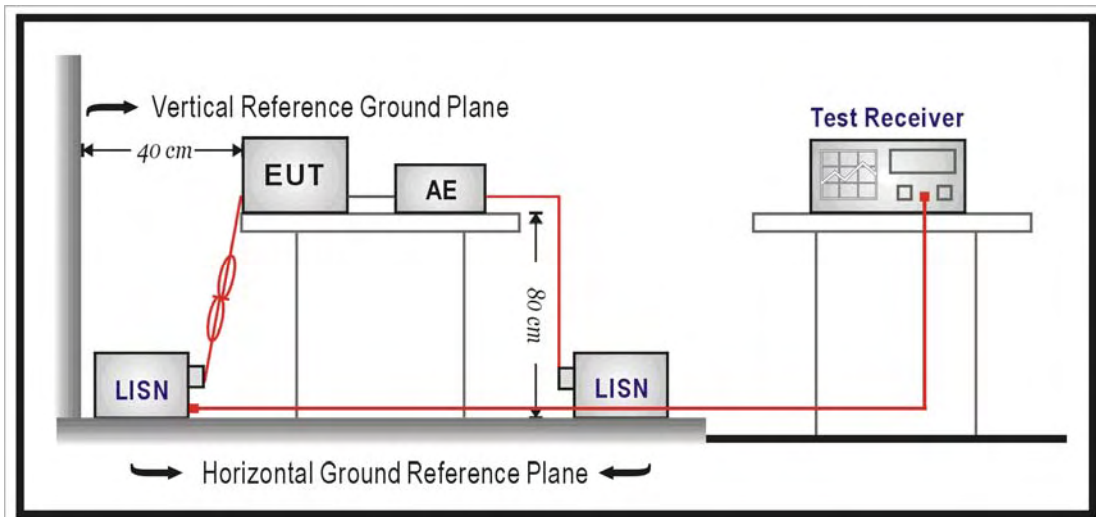
4.2. Test Instruments

Describe	Manufacturer	Model Number	Serial Number	Cal. Date	Remark
Test Receiver	R&S	ESCI	100367	06/18/2012	(1)
LISN	R&S	ENV216	101040	03/07/2012	(1)
LISN	R&S	ENV216	101041	03/07/2012	(1)
Test Site	ATL	TE05	TE05	N.C.R.	-----

Remark: (1) Calibration period 1 year. (2) Calibration period 2 years.

NOTE: N.C.R. = No Calibration Request.

4.3. Test Setup



4.4. Test Procedure

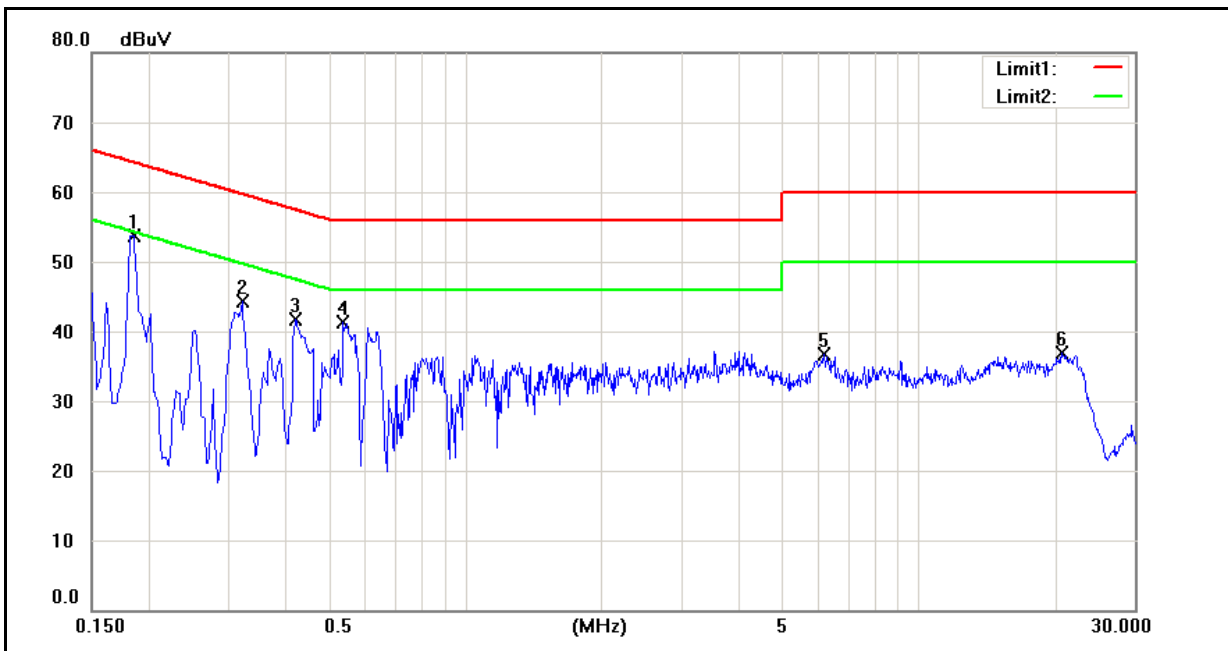
The power line conducted emission measurements were performed in a shielded enclosure. The EUT was assembled on a wooden table which is 80 centimeters high, was placed 40 centimeters from the back wall and at least 1 meter from the sidewall.

Power was fed to the EUT from the public utility power grid through a line filter and EMCO Model 3162/2 SH Line Impedance Stabilization Networks (LISN). The LISN housing, measuring instrumentation case, ground plane, etc., were electrically bonded together at the same RF potential. The Spectrum analyzer was connected to the AC line through an isolation transformer. The 50-ohm output of the LISN was connected to the spectrum analyzer directly. Conducted emission levels were in the CISPR quasi-peak detection mode. The analyzer's 6 dB bandwidth was set to 9 KHz. No post-detector video filter was used.

The spectrum was scanned from 150 KHz to 30 MHz. The physical arrangement of the test system and associated cabling was varied (within the scope of arrangements likely to be encountered in actual use) to determine the effect on the unit's emanations in amplitude and frequency. All spurious emission frequencies were observed. The highest emission amplitudes relative to the appropriate limit were measured and have been recorded in paragraph 4.1.

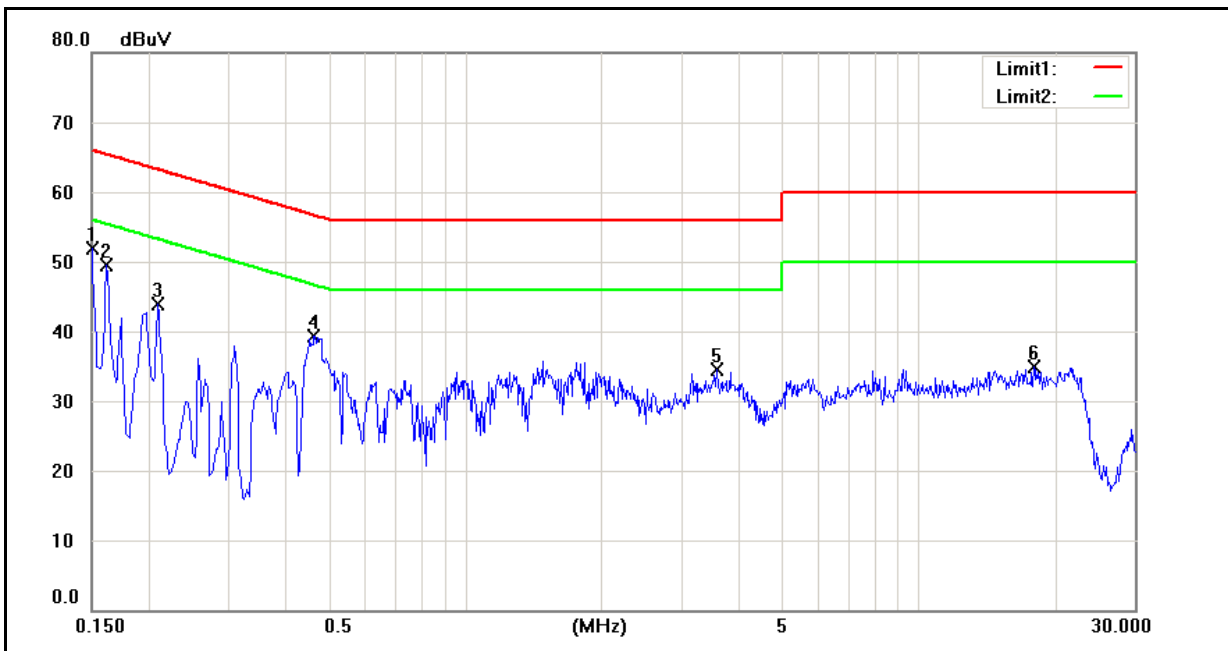
4.5. Test Result

Standard:	FCC Part 15C	Line:	L1
Test item:	Conducted Emission	Power:	AC 120V/60Hz
Model Number:	TF-RTC-700R-TA-WBG-1110	Temp.(°C)/Hum.(%RH):	26(°C)/60%RH
Mode:	Mode 1	Date:	06/01/2012
		Test By:	Fly Lu
Description:			



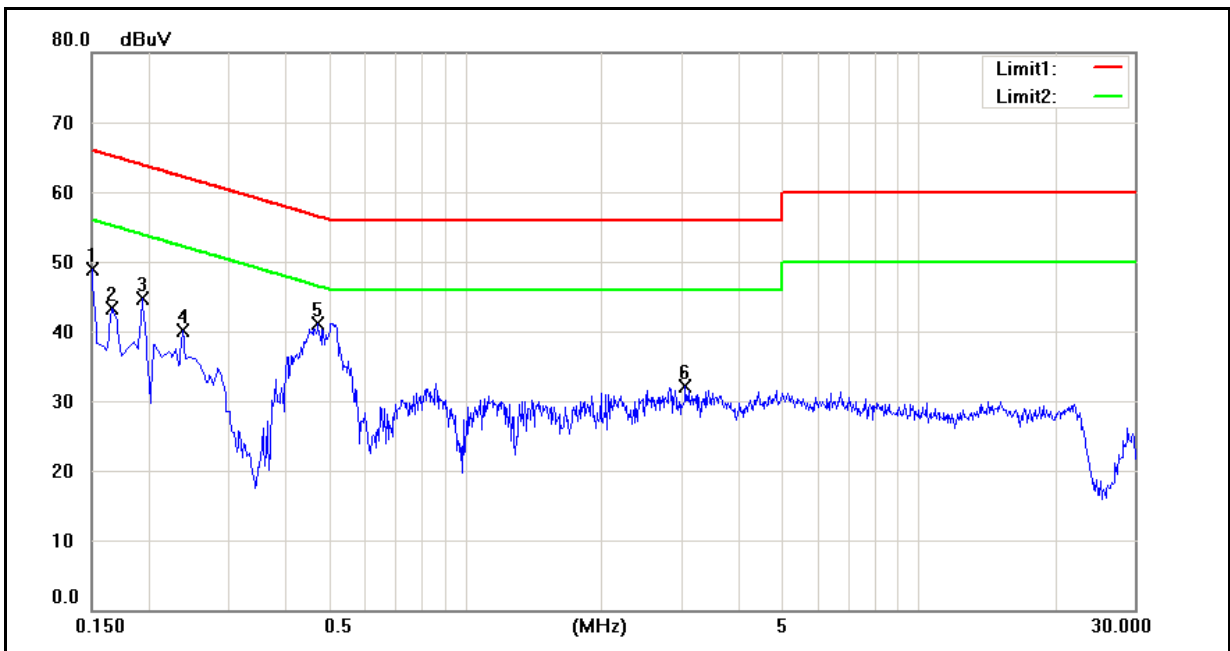
No.	Frequency (MHz)	QP reading (dBuV)	AVG reading (dBuV)	Correction factor (dB)	QP result (dBuV)	AVG result (dBuV)	QP limit (dBuV)	AVG limit (dBuV)	QP margin (dB)	AVG margin (dB)	Remark
1	0.1860	41.31	31.47	9.72	51.03	41.19	64.21	54.21	-13.18	-13.02	Pass
2	0.3220	29.78	18.95	9.72	39.50	28.67	59.66	49.66	-20.16	-20.99	Pass
3	0.4220	30.50	22.78	9.72	40.22	32.50	57.41	47.41	-17.19	-14.91	Pass
4	0.5380	29.79	20.18	9.72	39.51	29.90	56.00	46.00	-16.49	-16.10	Pass
5	6.2100	21.00	14.34	9.89	30.89	24.23	60.00	50.00	-29.11	-25.77	Pass
6	20.7060	20.53	14.73	9.76	30.29	24.49	60.00	50.00	-29.71	-25.51	Pass

Standard:	FCC Part 15C	Line:	N
Test item:	Conducted Emission	Power:	AC 120V/60Hz
Model Number:	TF-RTC-700R-TA-WBG-1110	Temp.(°C)/Hum.(%RH):	26(°C)/60%RH
Mode:	Mode 1	Date:	06/01/2012
		Test By:	Fly Lu
Description:			



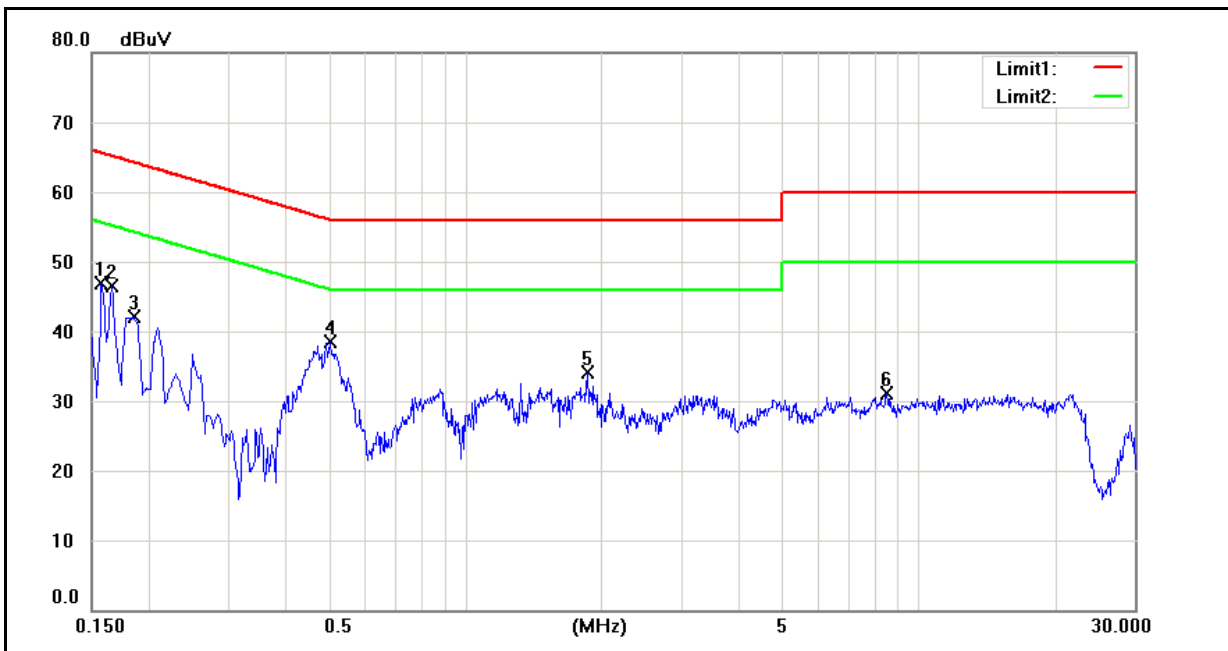
No.	Frequency (MHz)	QP reading (dBuV)	AVG reading (dBuV)	Correction factor (dB)	QP result (dBuV)	AVG result (dBuV)	QP limit (dBuV)	AVG limit (dBuV)	QP margin (dB)	AVG margin (dB)	Remark
1	0.1500	41.67	27.49	9.65	51.32	37.14	66.00	56.00	-14.68	-18.86	Pass
2	0.1620	34.96	18.13	9.65	44.61	27.78	65.36	55.36	-20.75	-27.58	Pass
3	0.2100	31.41	16.99	9.64	41.05	26.63	63.21	53.21	-22.16	-26.58	Pass
4	0.4660	28.69	18.70	9.64	38.33	28.34	56.58	46.58	-18.25	-18.24	Pass
5	3.5860	18.95	12.10	9.74	28.69	21.84	56.00	46.00	-27.31	-24.16	Pass
6	17.9580	18.94	12.92	9.92	28.86	22.84	60.00	50.00	-31.14	-27.16	Pass

Standard:	FCC Part 15C	Line:	L1
Test item:	Conducted Emission	Power:	AC 120V/60Hz
Model Number:	TF-RTC-700R-TA-WBG-1110	Temp.(°C)/Hum.(%RH):	26(°C)/60%RH
Mode:	Mode 2	Date:	06/01/2012
		Test By:	Fly Lu
Description:			



No.	Frequency (MHz)	QP reading (dBuV)	AVG reading (dBuV)	Correction factor (dB)	QP result (dBuV)	AVG result (dBuV)	QP limit (dBuV)	AVG limit (dBuV)	QP margin (dB)	AVG margin (dB)	Remark
1	0.1500	36.54	25.58	9.72	46.26	35.30	66.00	56.00	-19.74	-20.70	Pass
2	0.1660	31.42	14.90	9.72	41.14	24.62	65.16	55.16	-24.02	-30.54	Pass
3	0.1940	28.33	15.73	9.72	38.05	25.45	63.86	53.86	-25.81	-28.41	Pass
4	0.2380	25.30	13.35	9.72	35.02	23.07	62.17	52.17	-27.15	-29.10	Pass
5	0.4740	29.24	21.09	9.72	38.96	30.81	56.44	46.44	-17.48	-15.63	Pass
6	3.0620	17.18	10.62	9.83	27.01	20.45	56.00	46.00	-28.99	-25.55	Pass

Standard:	FCC Part 15C	Line:	N
Test item:	Conducted Emission	Power:	AC 120V/60Hz
Model Number:	TF-RTC-700R-TA-WBG-1110	Temp.(°C)/Hum.(%RH):	26(°C)/60%RH
Mode:	Mode 2	Date:	06/01/2012
		Test By:	Fly Lu
Description:			



No.	Frequency (MHz)	QP reading (dBuV)	AVG reading (dBuV)	Correction factor (dB)	QP result (dBuV)	AVG result (dBuV)	QP limit (dBuV)	AVG limit (dBuV)	QP margin (dB)	AVG margin (dB)	Remark
1	0.1580	34.66	16.31	9.65	44.31	25.96	65.57	55.57	-21.26	-29.61	Pass
2	0.1660	31.21	13.42	9.65	40.86	23.07	65.16	55.16	-24.30	-32.09	Pass
3	0.1860	31.44	17.37	9.64	41.08	27.01	64.21	54.21	-23.13	-27.20	Pass
4	0.5020	26.62	18.64	9.64	36.26	28.28	56.00	46.00	-19.74	-17.72	Pass
5	1.8660	16.73	11.41	9.71	26.44	21.12	56.00	46.00	-29.56	-24.88	Pass
6	8.5260	15.38	9.45	10.12	25.50	19.57	60.00	50.00	-34.50	-30.43	Pass

5 Radiated Interference Measurement

5.1. Limit

According to §15.209(a), except as provided elsewhere in this subpart, the emissions from an intentional radiator shall not exceed the field strength levels specified in the following table:

Frequency (MHz)	Field Strength ($\mu\text{V/m}$ at meter)	Measurement Distance (meters)
0.009 – 0.490	2400 / F (kHz)	300
0.490 – 1.705	24000 / F (kHz)	30
1.705 – 30.0	30	30
30 - 88	100**	3
88-216	150**	3
216-960	200**	3
Above 960	500	3

** Except as provided in paragraph (g), fundamental emissions from intentional radiators operating under this Section shall not be located in the frequency bands 54-72 MHz, 76-88 MHz, 174-216 MHz or 470-806 MHz. However, operation within these frequency bands is permitted under other sections of this Part, e.g., Sections 15.231 and 15.241.

5.2. Test Instruments

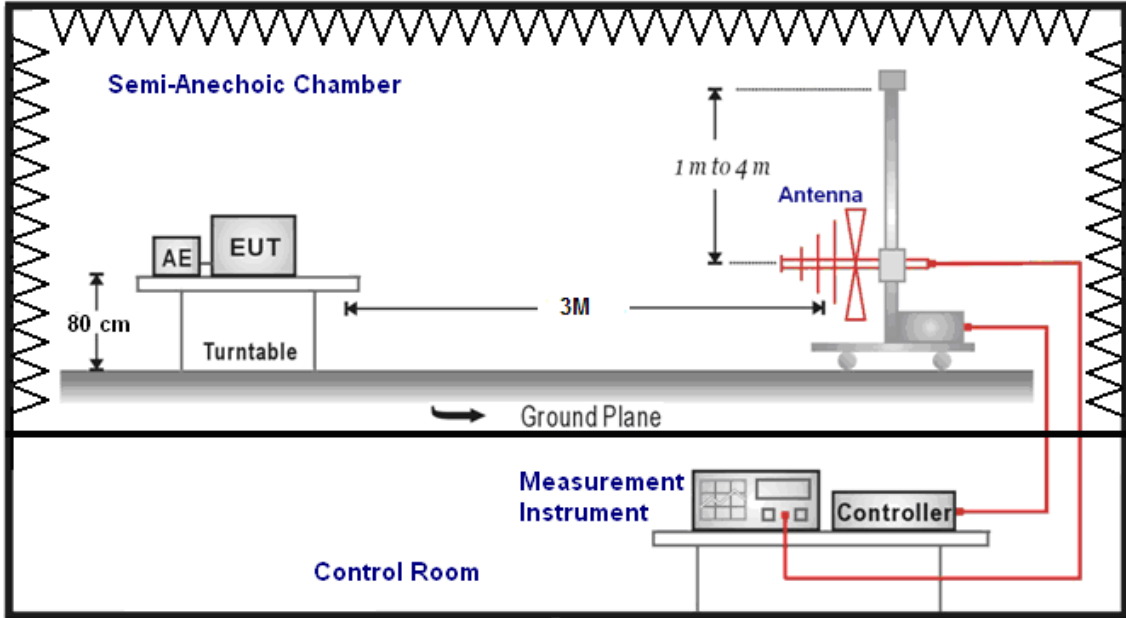
3 Meter Chamber					
Equipment	Manufacturer	Model Number	Serial Number	Cal. Date	Remark
RF Pre-selector	Agilent	N9039A	MY46520256	01/16/2012	(1)
Spectrum Analyzer	Agilent	E4446A	MY46180578	01/16/2012	(1)
Pre Amplifier	Agilent	8449B	3008A02237	02/22/2012	(1)
Pre Amplifier	Agilent	8447D	2944A10961	02/22/2012	(1)
Broadband Antenna (30MHz~1GHz)	SCHWARZBECK MESS-ELEKTRONIK	VULB9163	9163-270	07/29/2011	(1)
Horn Antenna (1~18GHz)	SCHWARZBECK MESS-ELEKTRONIK	BBHA9120D	9120D-550	06/15/2012	(1)
Horn Antenna (18~40GHz)	SCHWARZBECK MESS-ELEKTRONIK	BBHA9170	9170-320	06/21/2012	(1)
Loop Antenna	COM-POWER CORPORATION	AL-130	121014	08/14/2009	(3)
Test Site	ATL	TE01	888001	12/20/2011	(1)

Remark: (1) Calibration period 1 year. (2) Calibration period 2 years. (3) Calibration period 3 years.

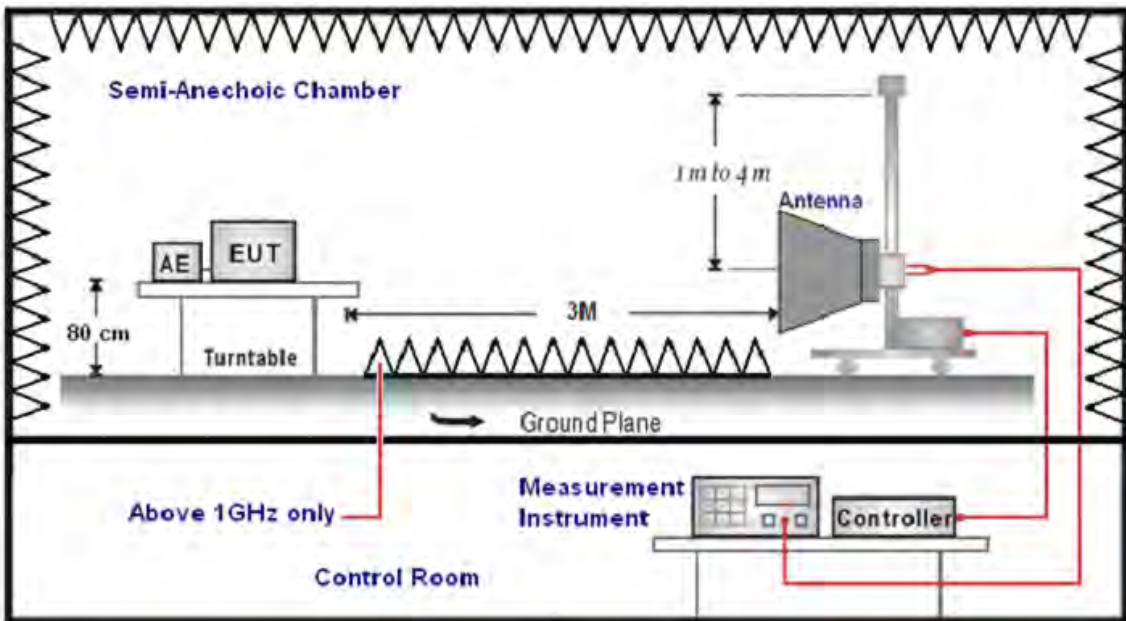
NOTE: N.C.R. = No Calibration Request.

5.3. Setup

Below 1GHz



Above 1GHz



5.4. Test Procedure

Final radiation measurements were made on a three-meter, Semi Anechoic Chamber. The EUT system was placed on a nonconductive turntable which is 0.8 meters height, top surface 1.0 x 1.5 meter. The spectrum was examined from 250 MHz to 2.5 GHz in order to cover the whole spectrum below 10th harmonic which could generate from the EUT. During the test, EUT was set to transmit continuously & Measurements spectrum range from 9 kHz to 26.5 GHz is investigated.

For measurements below 1 GHz the resolution bandwidth is set to 100 kHz for peak detection measurements or 120 kHz for quasi-peak detection measurements. Peak detection is used unless otherwise noted as quasi-peak.

For measurements above 1 GHz the resolution bandwidth is set to 1 MHz, and then the video bandwidth is set to 1 MHz for peak measurements and 10 Hz for average measurements.

A nonconductive material surrounded the EUT to supporting the EUT for standing on three orthogonal planes. At each condition, the EUT was rotated 360 degrees, and the antenna was raised and lowered from one to four meters to find the maximum emission levels. Measurements were taken using both horizontal and vertical antenna polarization.

SCHWARZBECK MESS-ELEKTRONIK Biconilog Antenna (mode VULB9163) at 3 Meter and the SCHWARZBECK Double Ridged Guide Antenna (model BBHA9120D&9170) was used in frequencies 1 – 26.5 GHz at a distance of 1 meter. All test results were extrapolated to equivalent signal at 3 meters utilizing an inverse linear distance extrapolation Factor (20dB/decade).

For testing above 1GHz, the emission level of the EUT in peak mode was 20dB lower than average limit (that means the emission level in peak mode also complies with the limit in average mode), then testing will be stopped and peak values of EUT will be reported, otherwise, the emissions will be measured in average mode again and reported.

Appropriate preamplifiers were used for improving sensitivity and precautions were taken to avoid overloading or desensitizing the spectrum analyzer. No post – detector video filters were used in the test.

The spectrum analyzer's 6 dB bandwidth was set to 1 MHz, and the analyzer was operated in the peak detection mode, for frequencies both below and up 1 GHz. The average levels were obtained by subtracting the duty cycle correction factor from the peak readings.

The following procedures were used to convert the emission levels measured in decibels referenced to 1 microvolt (dBuV) into field intensity in micro volts pre meter (uV/m).

The actual field intensity in decibels referenced to 1 microvolt in to field intensity in micro colts per meter (dBuV/m).

The actual field intensity in referenced to 1 microvolt per meter (dBuV/m) is determined by algebraically adding the measured reading in dBuV, the antenna factor (dB), and cable loss (dB) and Subtracting the gain of preamplifier (dB) is auto calculate in spectrum analyzer.

(1) Amplitude (dBuV/m) = FI (dBuV) +AF (dBuV) +CL (dBuV)-Gain (dB)

FI= Reading of the field intensity.

AF= Antenna factor.

CL= Cable loss.

P.S Amplitude is auto calculate in spectrum analyzer.

(2) Actual Amplitude (dBuV/m) = Amplitude (dBuV)-Dis(dB)

The FCC specified emission limits were calculated according the EUT operating frequency and by following linear interpolation equations:

(a) For fundamental frequency : Transmitter Output < +30dBm

(b) For spurious frequency : Spurious emission limits = fundamental emission limit /10

Data of measurement within this frequency range without mark in the table above means the reading of emissions are attenuated more than 20dB below the permissible limits or the field strength is too small to be measured.

5.5. Test Result

Below 1GHz

Standard:	FCC Part 15C	Test Distance:	3m
Test item:	Radiated Emission	Power:	AC 120V/60Hz
Model Number:	TF-RTC-700R-TA-WBG-1110	Temp.(°C)/Hum.(%RH):	26(°C)/60%RH
Mode:	Mode 2	Date:	06/01/2012
Ant.Polar.:	Horizontal	Test By:	Fly Lu

No.	Frequency (MHz)	Reading (dBuV)	Correct Factor(dB/m)	Result (dBuV/m)	Limit (dBuV/m)	Margin (dB)	Remark
1	137.5000	36.52	-17.25	19.27	43.50	-24.23	QP
2	264.0000	31.26	-11.65	19.61	46.00	-26.39	QP
3	426.0000	34.80	-8.37	26.43	46.00	-19.57	QP
4	639.5000	27.89	-4.29	23.60	46.00	-22.40	QP
5	776.5000	27.40	-1.91	25.49	46.00	-20.51	QP
6	919.0000	25.58	0.54	26.12	46.00	-19.88	QP

Standard:	FCC Part 15C	Test Distance:	3m
Test item:	Radiated Emission	Power:	AC 120V/60Hz
Model Number:	TF-RTC-700R-TA-WBG-1110	Temp.(°C)/Hum.(%RH):	26(°C)/60%RH
Mode:	Mode 2	Date:	06/01/2012
Ant.Polar.:	Vertical	Test By:	Fly Lu

No.	Frequency (MHz)	Reading (dBuV)	Correct Factor(dB/m)	Result (dBuV/m)	Limit (dBuV/m)	Margin (dB)	Remark
1	165.5000	33.91	-16.27	17.64	43.50	-25.86	QP
2	237.5000	29.15	-12.28	16.87	46.00	-29.13	QP
3	390.5000	29.18	-8.71	20.47	46.00	-25.53	QP
4	497.0000	33.26	-6.96	26.30	46.00	-19.70	QP
5	639.0000	29.08	-4.30	24.78	46.00	-21.22	QP
6	825.0000	26.95	-1.21	25.74	46.00	-20.26	QP

Note: No emission found between lowest internal used/generated frequency to 30MHz (9kHz~30MHz).

Standard:	FCC Part 15C	Test Distance:	3m
Test item:	Radiated Emission	Power:	AC 120V/60Hz
Model Number:	TF-RTC-700A-TA-WBGH-1110	Temp.(°C)/Hum.(%RH):	26(°C)/60%RH
Mode:	Mode 3	Date:	06/26/2012
Ant.Polar.:	Horizontal	Test By:	Fly Lu

No.	Frequency (MHz)	Reading (dBuV)	Correct Factor(dB/m)	Result (dBuV/m)	Limit (dBuV/m)	Margin (dB)	Remark
1	92.5000	42.63	-15.36	27.27	43.50	-16.23	QP
2	192.0000	32.29	-13.85	18.44	43.50	-25.06	QP
3	426.0000	32.80	-8.37	24.43	46.00	-21.57	QP
4	576.5000	26.91	-5.61	21.30	46.00	-24.70	QP
5	698.5000	26.29	-3.41	22.88	46.00	-23.12	QP
6	862.5000	24.10	-0.67	23.43	46.00	-22.57	QP

Standard:	FCC Part 15C	Test Distance:	3m
Test item:	Radiated Emission	Power:	AC 120V/60Hz
Model Number:	TF-RTC-700A-TA-WBGH-1110	Temp.(°C)/Hum.(%RH):	26(°C)/60%RH
Mode:	Mode 3	Date:	06/01/2012
Ant.Polar.:	Vertical	Test By:	Fly Lu

No.	Frequency (MHz)	Reading (dBuV)	Correct Factor(dB/m)	Result (dBuV/m)	Limit (dBuV/m)	Margin (dB)	Remark
1	92.5000	44.18	-15.36	28.82	43.50	-14.68	QP
2	165.5000	33.91	-16.27	17.64	43.50	-25.86	QP
3	314.5000	27.24	-10.04	17.20	46.00	-28.80	QP
4	426.0000	28.66	-8.37	20.29	46.00	-25.71	QP
5	706.0000	26.77	-3.26	23.51	46.00	-22.49	QP
6	929.0000	25.69	0.66	26.35	46.00	-19.65	QP

Note: No emission found between lowest internal used/generated frequency to 30MHz (9kHz~30MHz).

Above 1GHz

Standard:	FCC Part 15C			Test Distance:	3m		
Test item:	Radiated Emission			Power:	AC 120V/60Hz		
Model Number:	TF-RTC-700R-TA-WBG-1110			Temp.(°C)/Hum.(%RH):	26(°C)/60%RH		
Mode:	Mode 4			Date:	05/31/2012		
Frequency:	2402 MHz			Test By:	Fly Lu		
Frequency (MHz)	Reading (dBuV)	Correct Factor(dB/m)	Result (dBuV/m)	Limit (dBuV/m)	Margin (dB)	Remark	Ant.Polar. H / V
3051.000	38.91	2.31	41.22	74.00	-32.78	peak	H
4955.000	35.78	8.36	44.14	74.00	-29.86	peak	H
6397.000	34.75	12.63	47.38	74.00	-26.62	peak	H
3009.000	39.91	2.22	42.13	74.00	-31.87	peak	V
4892.000	36.75	8.17	44.92	74.00	-29.08	peak	V
6306.000	34.64	12.23	46.87	74.00	-27.13	peak	V

Standard:	FCC Part 15C			Test Distance:	3m		
Test item:	Radiated Emission			Power:	AC 120V/60Hz		
Model Number:	TF-RTC-700R-TA-WBG-1110			Temp.(°C)/Hum.(%RH):	26(°C)/60%RH		
Mode:	Mode 4			Date:	06/01/2012		
Frequency:	2441 MHz			Test By:	Fly Lu		
Frequency (MHz)	Reading (dBuV)	Correct Factor(dB/m)	Result (dBuV/m)	Limit (dBuV/m)	Margin (dB)	Remark	Ant.Polar. H / V
3114.000	38.19	2.46	40.65	74.00	-33.35	peak	H
4983.000	35.00	8.45	43.45	74.00	-30.55	peak	H
6495.000	35.12	13.06	48.18	74.00	-25.82	peak	H
2967.000	36.84	2.08	38.92	74.00	-35.08	peak	V
5074.000	34.06	8.73	42.79	74.00	-31.21	peak	V
6579.000	33.43	13.35	46.78	74.00	-27.22	peak	V

Standard:	FCC Part 15C			Test Distance:	3m		
Test item:	Radiated Emission			Power:	AC 120V/60Hz		
Model Number:	TF-RTC-700R-TA-WBG-1110			Temp.(°C)/Hum.(%RH):	26(°C)/60%RH		
Mode:	Mode 4			Date:	06/01/2012		
Frequency:	2480 MHz			Test By:	Fly Lu		
Frequency (MHz)	Reading (dBuV)	Correct Factor(dB/m)	Result (dBuV/m)	Limit (dBuV/m)	Margin (dB)	Remark	Ant.Polar. H / V
2925.000	38.42	1.94	40.36	74.00	-33.64	peak	H
4633.000	35.02	7.36	42.38	74.00	-31.62	peak	H
6159.000	34.75	11.57	46.32	74.00	-27.68	peak	H
3163.000	37.77	2.57	40.34	74.00	-33.66	peak	V
5018.000	34.85	8.55	43.40	74.00	-30.60	peak	V
6509.000	33.69	13.12	46.81	74.00	-27.19	peak	V

Standard:	FCC Part 15C			Test Distance:	3m		
Test item:	Radiated Emission			Power:	AC 120V/60Hz		
Model Number:	TF-RTC-700R-TA-WBG-1110			Temp.(°C)/Hum.(%RH):	26(°C)/60%RH		
Mode:	Mode 5			Date:	06/01/2012		
Frequency:	2402 MHz			Test By:	Fly Lu		
Frequency (MHz)	Reading (dBuV)	Correct Factor(dB/m)	Result (dBuV/m)	Limit (dBuV/m)	Margin (dB)	Remark	Ant.Polar. H / V
3030.000	36.74	2.27	39.01	74.00	-34.99	peak	H
4829.000	35.76	7.97	43.73	74.00	-30.27	peak	H
6355.000	33.45	12.45	45.90	74.00	-28.10	peak	H
3065.000	38.86	2.35	41.21	74.00	-32.79	peak	V
4983.000	34.87	8.45	43.32	74.00	-30.68	peak	V
6593.000	34.35	13.39	47.74	74.00	-26.26	peak	V

Standard:	FCC Part 15C			Test Distance:	3m		
Test item:	Radiated Emission			Power:	AC 120V/60Hz		
Model Number:	TF-RTC-700R-TA-WBG-1110			Temp.(°C)/Hum.(%RH):	26(°C)/60%RH		
Mode:	Mode 5			Date:	06/01/2012		
Frequency:	2441 MHz			Test By:	Fly Lu		
Frequency (MHz)	Reading (dBuV)	Correct Factor(dB/m)	Result (dBuV/m)	Limit (dBuV/m)	Margin (dB)	Remark	Ant.Polar. H / V
3079.000	37.40	2.38	39.78	74.00	-34.22	peak	H
4955.000	35.42	8.36	43.78	74.00	-30.22	peak	H
6362.000	34.32	12.48	46.80	74.00	-27.20	peak	H
3023.000	38.72	2.25	40.97	74.00	-33.03	peak	V
5046.000	35.35	8.64	43.99	74.00	-30.01	peak	V
6530.000	34.88	13.19	48.07	74.00	-25.93	peak	V

Standard:	FCC Part 15C			Test Distance:	3m		
Test item:	Radiated Emission			Power:	AC 120V/60Hz		
Model Number:	TF-RTC-700R-TA-WBG-1110			Temp.(°C)/Hum.(%RH):	26(°C)/60%RH		
Mode:	Mode 5			Date:	06/01/2012		
Frequency:	2480 MHz			Test By:	Fly Lu		
Frequency (MHz)	Reading (dBuV)	Correct Factor(dB/m)	Result (dBuV/m)	Limit (dBuV/m)	Margin (dB)	Remark	Ant.Polar. H / V
3002.000	37.57	2.20	39.77	74.00	-34.23	peak	H
4941.000	35.99	8.31	44.30	74.00	-29.70	peak	H
6425.000	33.75	12.76	46.51	74.00	-27.49	peak	H
3051.000	37.69	2.31	40.00	74.00	-34.00	peak	V
4675.000	35.14	7.50	42.64	74.00	-31.36	peak	V
6334.000	34.13	12.35	46.48	74.00	-27.52	peak	V

Standard:	FCC Part 15C	Test Distance:	3m
Test item:	Radiated Emission	Power:	AC 120V/60Hz
Model Number:	TF-RTC-700R-TA-WBG-1110	Temp.(°C)/Hum.(%RH):	26(°C)/60%RH
Mode:	Mode 6	Date:	06/01/2012
Frequency:	2441 MHz	Test By:	Fly Lu

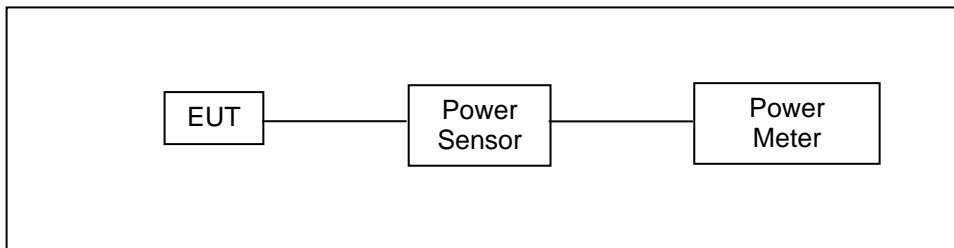
Frequency (MHz)	Reading (dBuV)	Correct Factor(dB/m)	Result (dBuV/m)	Peak Limit (dBuV/m)	AVG. Limit (dBuV/m)	Margin (dB)	Remark	Ant.Polar. H / V
3317.000	37.63	2.91	40.54	74.00	54.00	-33.46	peak	H
4955.000	34.86	8.36	43.22	74.00	54.00	-30.78	peak	H
6355.000	33.25	12.45	45.70	74.00	54.00	-28.30	peak	H
3030.000	37.92	2.27	40.19	74.00	54.00	-33.81	peak	V
4661.000	35.47	7.45	42.92	74.00	54.00	-31.08	peak	V
5942.000	34.44	10.76	45.20	74.00	54.00	-28.80	peak	V

6 Maximum Conducted Output Power Measurement

6.1. Limit

For frequency hopping systems operating in the 2400–2483.5 MHz band employing at least 75 non-overlapping hopping channels < 1 watt.

6.2. Test Setup



6.3. Test Instruments

Equipment	Manufacturer	Model Number	Serial Number	Cal. Date	Remark
Single Channel PK Power Sensor	Agilent	N1911A	MY45101619	12/15/2011	(1)
Wideband Power Meter	Agilent	N1921A	MY45241957	12/15/2011	(1)
Test Site	ATL	TE02	TE02	N.C.R.	-----

Remark: (1) Calibration period 1 year. (2) Calibration period 2 years.

NOTE: N.C.R. = No Calibration Request.

6.4. Test Procedure

Testing must be done according to this procedure, FCC Public Notice DA 00-705 - Filing and Measurement Guidelines for Frequency Hopping Spread Spectrum Systems. This is the only method recognized by the FCC. The tests below are run with the EUT's transmitter set at high power in TX mode. The EUT is needed to force selection of output power level and channel number. While testing, EUT was set to transmit continuously. Remove the Subjective device's antenna and connect the RF output port to power sensor. The maximum peak output power shall not exceed 1 watt.

Use a direct connection between the antenna port of transmitter and the power sensor, for prevent the power sensor input attenuation 40-50 dB. Set the RBW Bandwidth of the emission or use a channel power meter mode.

For antennas with gains of 6 dBi or less, maximum allowed transmitter output is 1 watt (+30 dBm). For antennas with gains greater than 6 dBi, transmitter output level must be decreased by an amount equal to $(\text{GAIN} - 6)/3$ dBm.

The antenna port of the EUT was connected to the input of a power sensor. Power was read directly and cable loss correction was added to the reading to obtain power at the EUT antenna terminals.

6.5. Test Result

Model Number	TF-RTC-700R-TA-WBG-1110					
Test Item	Maximum Conducted Output Power					
Test Mode	Mode 4: GFSK Link Mode					
Date of Test	05/31/2012			Test Site	TE02	
Frequency (MHz)	Packet Type	Average Power		Peak Power		Limit (W)
		(dBm)	(W)	(dBm)	(W)	
2402	DH1	0.26	0.00106	6.19	0.00416	< 1
	DH3	3.62	0.00230	6.21	0.00418	< 1
	DH5	4.27	0.00267	6.23	0.00420	< 1
2441	DH1	0.73	0.00118	6.81	0.00480	< 1
	DH3	4.05	0.00254	6.84	0.00483	< 1
	DH5	4.77	0.00300	6.87	0.00486	< 1
2480	DH1	0.74	0.00119	6.80	0.00479	< 1
	DH3	4.09	0.00256	6.82	0.00481	< 1
	DH5	4.73	0.00297	6.83	0.00482	< 1

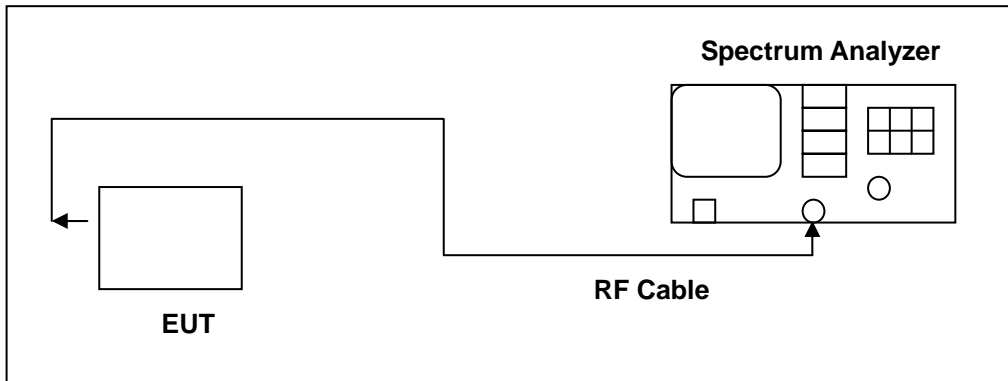
Model Number	TF-RTC-700R-TA-WBG-1110					
Test Item	Maximum Conducted Output Power					
Test Mode	Mode 5: $\pi/4$ -DQPSK Mode					
Date of Test	05/31/2012			Test Site	TE02	
Frequency (MHz)	Packet Type	Average Power		Peak Power		Limit (W)
		(dBm)	(W)	(dBm)	(W)	
2402	DH1	0.42	0.00110	8.81	0.00760	< 1
	DH3	3.68	0.00233	8.84	0.00766	< 1
	DH5	4.36	0.00273	8.90	0.00776	< 1
2441	DH1	0.87	0.00122	9.37	0.00865	< 1
	DH3	4.13	0.00259	9.48	0.00887	< 1
	DH5	4.87	0.00307	9.49	0.00889	< 1
2480	DH1	0.93	0.00124	9.37	0.00865	< 1
	DH3	4.14	0.00259	9.39	0.00869	< 1
	DH5	4.81	0.00303	9.42	0.00875	< 1

7 Minimum 20dB RF Bandwidth Measurement

7.1. Limit

N/A

7.2. Test Setup



7.3. Test Instruments

Equipment	Manufacturer	Model Number	Serial Number	Cal. Date	Remark
Spectrum Analyzer	Agilent	E4445A	MY45300744	12/20/2011	(1)
Test Site	ATL	TE02	TE02	N.C.R.	-----

Remark: (1) Calibration period 1 year. (2) Calibration period 2 years.

NOTE: N.C.R. = No Calibration Request.

7.4. Test Procedure

Testing must be done according to this procedure, FCC Public Notice DA 00-705 - Filing and Measurement Guidelines for Frequency Hopping Spread Spectrum Systems. This is the only method recognized by the FCC. The RF output port of the Equipment-Under-Test is directly coupled to the input of the EMC analyzer through a specialized RF connector and a 10dB passive attenuator. A fully charged battery was used for the supply voltage. The Bluetooth frequency hopping function of the EUT was enabled. The spectrum analyzer used the following settings:

1. Span = approx. 2 to 3 times the 20dB bandwidth, centered on a hopping frequency
2. RBW \geq 1% of the 20dB span
3. VBW \geq RBW
4. Sweep = auto
5. Detector function = peak
6. Trace = max hold

The trace was allowed to stabilize. The EUT was transmitting at its maximum data rate. The marker-to-peak function was used to set the marker to the peak of the emission. The marker-delta function was used to measure 20dB down one side of the emission. The marker-delta function and marker was moved to the other side of the emission until it was even with the reference marker. The marker-delta reading at this point was the 20dB bandwidth of the emission.

7.5. Test Result

Model Number	TF-RTC-700R-TA-WBG-1110		
Test Item	Minimum 20dB RF Bandwidth		
Test Mode	Mode 4: GFSK Link Mode		
Date of Test	06/01/2012	Test Site	TE02
Frequency (MHz)	Measurement (MHz)	Limit (MHz)	
2402	0.995	-----	
2441	0.995	-----	
2480	0.995	-----	

Model Number	TF-RTC-700R-TA-WBG-1110		
Test Item	Minimum 20dB RF Bandwidth		
Test Mode	Mode 5: $\pi/4$ -DQPSK Link Mode		
Date of Test	06/01/2012	Test Site	TE02
Frequency (MHz)	20dB Bandwidth (MHz)	Limit (MHz)	
2402	1.330	-----	
2441	1.330	-----	
2480	1.330	-----	

7.6. Test Graphs

Mode 4: GFSK Link Mode																					
2402	<p>Agilent R T Freq/Channel</p> <p>Ref 20 dBm Atten 30 dB Δ Mkr2 995 kHz -0.88 dB</p> <p>Center 2.402 000 GHz Span 3 MHz</p> <p>Res BW 30 kHz VBW 30 kHz Sweep 4.04 ms (601 pts)</p> <table border="1"> <thead> <tr> <th>Marker</th> <th>Trace</th> <th>Type</th> <th>X Axis</th> <th>Amplitude</th> </tr> </thead> <tbody> <tr> <td>1</td> <td>(1)</td> <td>Freq</td> <td>2.401 980 GHz</td> <td>1.22 dBm</td> </tr> <tr> <td>2R</td> <td>(1)</td> <td>Freq</td> <td>2.401 495 GHz</td> <td>-18.98 dBm</td> </tr> <tr> <td>2a</td> <td>(1)</td> <td>Freq</td> <td>995 kHz</td> <td>-0.88 dB</td> </tr> </tbody> </table> <p>Copyright 2000-2005 Agilent Technologies</p>	Marker	Trace	Type	X Axis	Amplitude	1	(1)	Freq	2.401 980 GHz	1.22 dBm	2R	(1)	Freq	2.401 495 GHz	-18.98 dBm	2a	(1)	Freq	995 kHz	-0.88 dB
Marker	Trace	Type	X Axis	Amplitude																	
1	(1)	Freq	2.401 980 GHz	1.22 dBm																	
2R	(1)	Freq	2.401 495 GHz	-18.98 dBm																	
2a	(1)	Freq	995 kHz	-0.88 dB																	
2441	<p>Agilent R T Freq/Channel</p> <p>Ref 20 dBm Atten 30 dB Δ Mkr2 995 kHz -0.50 dB</p> <p>Center 2.441 000 GHz Span 3 MHz</p> <p>Res BW 30 kHz VBW 30 kHz Sweep 4.04 ms (601 pts)</p> <table border="1"> <thead> <tr> <th>Marker</th> <th>Trace</th> <th>Type</th> <th>X Axis</th> <th>Amplitude</th> </tr> </thead> <tbody> <tr> <td>1</td> <td>(1)</td> <td>Freq</td> <td>2.440 985 GHz</td> <td>1.75 dBm</td> </tr> <tr> <td>2R</td> <td>(1)</td> <td>Freq</td> <td>2.440 495 GHz</td> <td>-18.88 dBm</td> </tr> <tr> <td>2a</td> <td>(1)</td> <td>Freq</td> <td>995 kHz</td> <td>-0.50 dB</td> </tr> </tbody> </table> <p>Copyright 2000-2005 Agilent Technologies</p>	Marker	Trace	Type	X Axis	Amplitude	1	(1)	Freq	2.440 985 GHz	1.75 dBm	2R	(1)	Freq	2.440 495 GHz	-18.88 dBm	2a	(1)	Freq	995 kHz	-0.50 dB
Marker	Trace	Type	X Axis	Amplitude																	
1	(1)	Freq	2.440 985 GHz	1.75 dBm																	
2R	(1)	Freq	2.440 495 GHz	-18.88 dBm																	
2a	(1)	Freq	995 kHz	-0.50 dB																	
2480	<p>Agilent R T Freq/Channel</p> <p>Ref 20 dBm Atten 30 dB Δ Mkr2 995 kHz -0.56 dB</p> <p>Center 2.480 000 GHz Span 3 MHz</p> <p>Res BW 30 kHz VBW 30 kHz Sweep 4.04 ms (601 pts)</p> <table border="1"> <thead> <tr> <th>Marker</th> <th>Trace</th> <th>Type</th> <th>X Axis</th> <th>Amplitude</th> </tr> </thead> <tbody> <tr> <td>1</td> <td>(1)</td> <td>Freq</td> <td>2.479 975 GHz</td> <td>2.19 dBm</td> </tr> <tr> <td>2R</td> <td>(1)</td> <td>Freq</td> <td>2.479 495 GHz</td> <td>-18.36 dBm</td> </tr> <tr> <td>2a</td> <td>(1)</td> <td>Freq</td> <td>995 kHz</td> <td>-0.56 dB</td> </tr> </tbody> </table> <p>Copyright 2000-2005 Agilent Technologies</p>	Marker	Trace	Type	X Axis	Amplitude	1	(1)	Freq	2.479 975 GHz	2.19 dBm	2R	(1)	Freq	2.479 495 GHz	-18.36 dBm	2a	(1)	Freq	995 kHz	-0.56 dB
Marker	Trace	Type	X Axis	Amplitude																	
1	(1)	Freq	2.479 975 GHz	2.19 dBm																	
2R	(1)	Freq	2.479 495 GHz	-18.36 dBm																	
2a	(1)	Freq	995 kHz	-0.56 dB																	

Mode 5: $\pi/4$ -DQPSK Link Mode

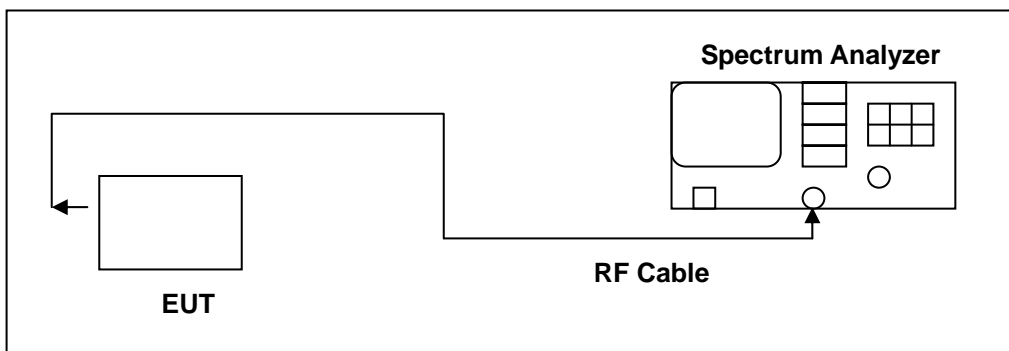
<p>2402</p>	<p>Agilent R T Freq/Channel</p> <p>Ref 20 dBm Atten 30 dB Δ Mkr2 1.330 MHz -0.47 dB</p> <p>#Peak</p> <p>Log</p> <p>10</p> <p>dB/</p> <p>Offst</p> <p>0.5</p> <p>dB</p> <p>DI</p> <p>-18.6</p> <p>dBm</p> <p>LgAv</p> <p>Center 2.402 000 GHz Span 3 MHz</p> <p>#Res BW 30 kHz #VBW 30 kHz Sweep 4.04 ms (601 pts)</p> <table border="1"> <thead> <tr> <th>Marker</th> <th>Trace</th> <th>Type</th> <th>X Axis</th> <th>Amplitude</th> </tr> </thead> <tbody> <tr> <td>1</td> <td>(1)</td> <td>Freq</td> <td>2.401 975 GHz</td> <td>1.36 dBm</td> </tr> <tr> <td>2R</td> <td>(1)</td> <td>Freq</td> <td>2.401 325 GHz</td> <td>-18.38 dBm</td> </tr> <tr> <td>2a</td> <td>(1)</td> <td>Freq</td> <td>1.330 MHz</td> <td>-0.47 dB</td> </tr> </tbody> </table> <p>Copyright 2000-2005 Agilent Technologies</p> <p>Freq/Channel</p> <p>Center Freq 2.40200000 GHz</p> <p>Start Freq 2.40050000 GHz</p> <p>Stop Freq 2.40350000 GHz</p> <p>CF Step 300.000000 kHz Auto Man</p> <p>Freq Offset 0.00000000 Hz</p> <p>Signal Track On Off</p>	Marker	Trace	Type	X Axis	Amplitude	1	(1)	Freq	2.401 975 GHz	1.36 dBm	2R	(1)	Freq	2.401 325 GHz	-18.38 dBm	2a	(1)	Freq	1.330 MHz	-0.47 dB
Marker	Trace	Type	X Axis	Amplitude																	
1	(1)	Freq	2.401 975 GHz	1.36 dBm																	
2R	(1)	Freq	2.401 325 GHz	-18.38 dBm																	
2a	(1)	Freq	1.330 MHz	-0.47 dB																	
<p>2441</p>	<p>Agilent R T Freq/Channel</p> <p>Ref 20 dBm Atten 30 dB Δ Mkr2 1.330 MHz 0.03 dB</p> <p>#Peak</p> <p>Log</p> <p>10</p> <p>dB/</p> <p>Offst</p> <p>0.5</p> <p>dB</p> <p>DI</p> <p>-18.0</p> <p>dBm</p> <p>LgAv</p> <p>Center 2.441 000 GHz Span 3 MHz</p> <p>#Res BW 30 kHz #VBW 30 kHz Sweep 4.04 ms (601 pts)</p> <table border="1"> <thead> <tr> <th>Marker</th> <th>Trace</th> <th>Type</th> <th>X Axis</th> <th>Amplitude</th> </tr> </thead> <tbody> <tr> <td>1</td> <td>(1)</td> <td>Freq</td> <td>2.440 980 GHz</td> <td>1.97 dBm</td> </tr> <tr> <td>2R</td> <td>(1)</td> <td>Freq</td> <td>2.440 325 GHz</td> <td>-18.72 dBm</td> </tr> <tr> <td>2a</td> <td>(1)</td> <td>Freq</td> <td>1.330 MHz</td> <td>0.03 dB</td> </tr> </tbody> </table> <p>Copyright 2000-2005 Agilent Technologies</p> <p>Freq/Channel</p> <p>Center Freq 2.44100000 GHz</p> <p>Start Freq 2.43950000 GHz</p> <p>Stop Freq 2.44250000 GHz</p> <p>CF Step 300.000000 kHz Auto Man</p> <p>Freq Offset 0.00000000 Hz</p> <p>Signal Track On Off</p>	Marker	Trace	Type	X Axis	Amplitude	1	(1)	Freq	2.440 980 GHz	1.97 dBm	2R	(1)	Freq	2.440 325 GHz	-18.72 dBm	2a	(1)	Freq	1.330 MHz	0.03 dB
Marker	Trace	Type	X Axis	Amplitude																	
1	(1)	Freq	2.440 980 GHz	1.97 dBm																	
2R	(1)	Freq	2.440 325 GHz	-18.72 dBm																	
2a	(1)	Freq	1.330 MHz	0.03 dB																	
<p>2480</p>	<p>Agilent R T Freq/Channel</p> <p>Ref 20 dBm Atten 30 dB Δ Mkr2 1.330 MHz -0.69 dB</p> <p>#Peak</p> <p>Log</p> <p>10</p> <p>dB/</p> <p>Offst</p> <p>0.5</p> <p>dB</p> <p>DI</p> <p>-17.8</p> <p>dBm</p> <p>LgAv</p> <p>Center 2.480 000 GHz Span 3 MHz</p> <p>#Res BW 30 kHz #VBW 30 kHz Sweep 4.04 ms (601 pts)</p> <table border="1"> <thead> <tr> <th>Marker</th> <th>Trace</th> <th>Type</th> <th>X Axis</th> <th>Amplitude</th> </tr> </thead> <tbody> <tr> <td>1</td> <td>(1)</td> <td>Freq</td> <td>2.479 980 GHz</td> <td>2.24 dBm</td> </tr> <tr> <td>2R</td> <td>(1)</td> <td>Freq</td> <td>2.479 330 GHz</td> <td>-17.85 dBm</td> </tr> <tr> <td>2a</td> <td>(1)</td> <td>Freq</td> <td>1.330 MHz</td> <td>-0.69 dB</td> </tr> </tbody> </table> <p>Copyright 2000-2005 Agilent Technologies</p> <p>Freq/Channel</p> <p>Center Freq 2.48000000 GHz</p> <p>Start Freq 2.47850000 GHz</p> <p>Stop Freq 2.48150000 GHz</p> <p>CF Step 300.000000 kHz Auto Man</p> <p>Freq Offset 0.00000000 Hz</p> <p>Signal Track On Off</p>	Marker	Trace	Type	X Axis	Amplitude	1	(1)	Freq	2.479 980 GHz	2.24 dBm	2R	(1)	Freq	2.479 330 GHz	-17.85 dBm	2a	(1)	Freq	1.330 MHz	-0.69 dB
Marker	Trace	Type	X Axis	Amplitude																	
1	(1)	Freq	2.479 980 GHz	2.24 dBm																	
2R	(1)	Freq	2.479 330 GHz	-17.85 dBm																	
2a	(1)	Freq	1.330 MHz	-0.69 dB																	

8 Carrier Frequency Separation Measurement

8.1. Limit

Title 47 of the CFR, Part 15 Subpart (c) 15.247(a)(1)(i) requires the measurement of the bandwidth of the transmission between the -20 dB points on the transmitted spectrum. The results of this test determine the limits for channel spacing. The channel spacing shall be a minimum of 25 kHz or the 20 dB bandwidth.

8.2. Test Setup



8.3. Test Instruments

Equipment	Manufacturer	Model Number	Serial Number	Cal. Date	Remark
Spectrum Analyzer	Agilent	E4445A	MY45300744	12/20/2011	(1)
Test Site	ATL	TE02	TE02	N.C.R.	-----

Remark: (1) Calibration period 1 year. (2) Calibration period 2 years.

NOTE: N.C.R. = No Calibration Request.

8.4. Test Procedure

Testing must be done according to this procedure, FCC Public Notice DA 00-705 - Filing and Measurement Guidelines for Frequency Hopping Spread Spectrum Systems. This is the only method recognized by the FCC. The RF output port of the Equipment-Under-Test is directly coupled to the input of the EMC analyzer through a specialized RF connector and a 10dB passive attenuator. A fully charged battery was used for the supply voltage. The Bluetooth transmitter of the V6 had its hopping function enabled. The following spectrum analyzer settings were used:

1. Span = wide enough to capture the peaks of two adjacent channels
2. Resolution (or IF) Bandwidth (RBW) \geq 1% of the span
3. Video (or Average) Bandwidth (VBW) \geq RBW
4. Sweep = auto
5. Detector function = peak
6. Trace = max hold

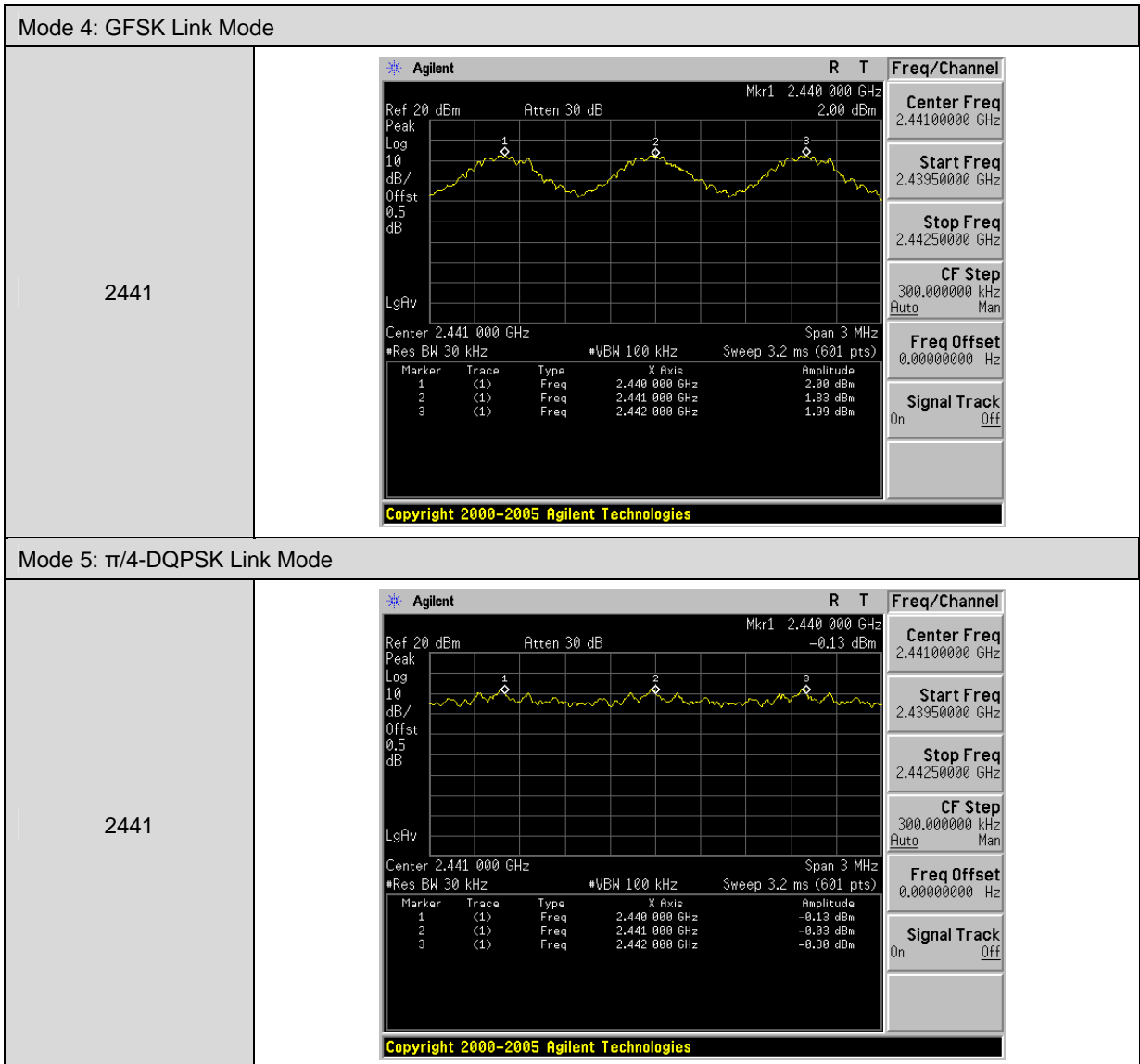
The trace was allowed to stabilize. The marker-delta function was used to determine the separation between the peaks of the adjacent channels.

8.5. Test Result

Model Number	TF-RTC-700R-TA-WBG-1110		
Test Item	Carrier Frequency Separation		
Test Mode	Mode 4: GFSK Link Mode		
Date of Test	06/06/2012	Test Site	TE02
Frequency (MHz)	Measurement (MHz)		Limit (MHz)
2441	1		> 0.663

Model Number	TF-RTC-700R-TA-WBG-1110		
Test Item	Carrier Frequency Separation		
Test Mode	Mode 5: $\pi/4$ -DQPSK Link Mode		
Date of Test	06/06/2012	Test Site	TE02
Frequency (MHz)	Measurement (MHz)		Limit (MHz)
2441	1		> 0.887

8.6. Test Graphs

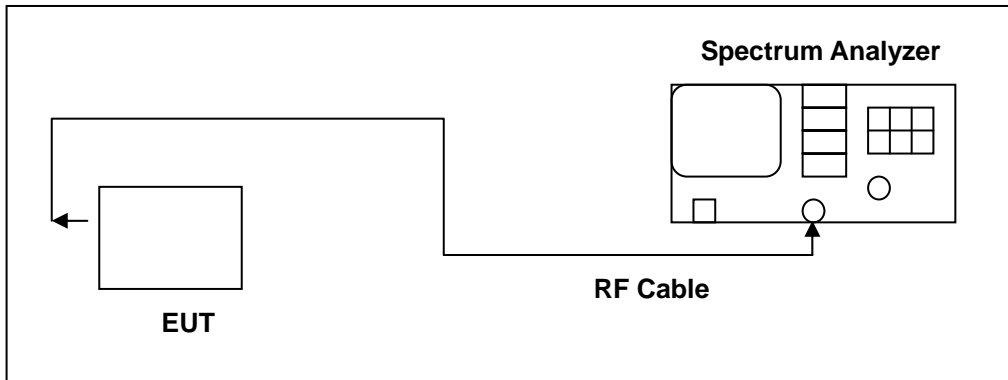


9 Number of Hopping Measurement

9.1. Limit

Frequency hopping systems in the 2400–2483.5 MHz band shall use at least 15 channels.

9.2. Test Setup



9.3. Test Instruments

Equipment	Manufacturer	Model Number	Serial Number	Cal. Date	Remark
Spectrum Analyzer	Agilent	E4445A	MY45300744	12/20/2011	(1)
Test Site	ATL	TE02	TE02	N.C.R.	-----

Remark: (1) Calibration period 1 year. (2) Calibration period 2 years.

NOTE: N.C.R. = No Calibration Request.

9.4. Test Procedure

Testing must be done according to this procedure, FCC Public Notice DA 00-705 - Filing and Measurement Guidelines for Frequency Hopping Spread Spectrum Systems. This is the only method recognized by the FCC. The RF output port of the Equipment-Under-Test is directly coupled to the input of the EMC analyzer through a specialized RF connector and a 10dB passive attenuator. A fully charged battery was used for the supply voltage. The Bluetooth frequency hopping function of the EUT was enabled. The spectrum analyzer used the following settings:

1. Span = the frequency band of operation
2. RBW \geq 1% of the span
3. VBW \geq RBW
4. Sweep = auto
5. Detector function = peak
6. Trace = max hold

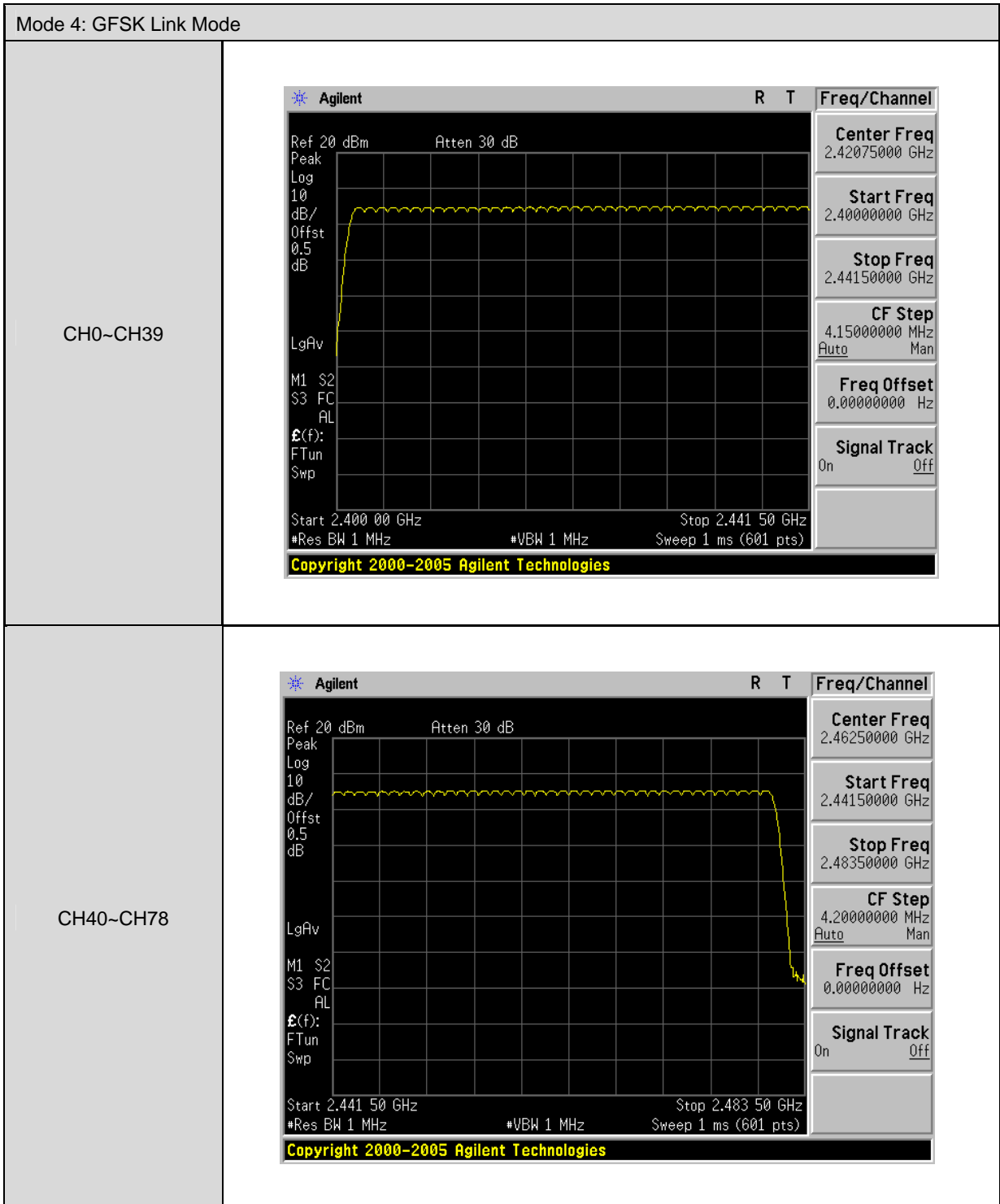
The trace was allowed to stabilize.

9.5. Test Result

Model Number	TF-RTC-700R-TA-WBG-1110		
Test Item	Number of Hopping		
Test Mode	Mode 4: GFSK Link Mode		
Date of Test	06/01/2012	Test Site	TE02
Frequency Range (MHz)	Measurement (ch)		Limit (ch)
2402 – 2480	79		> 15

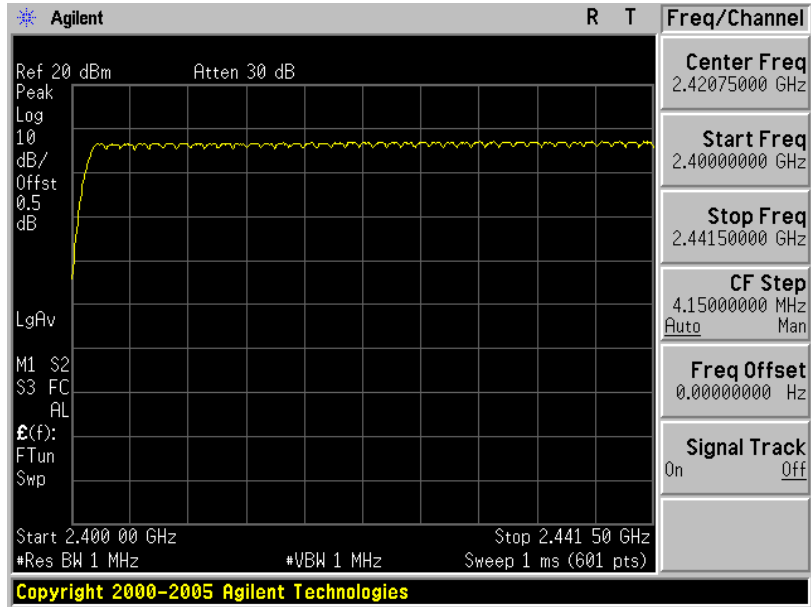
Model Number	TF-RTC-700R-TA-WBG-1110		
Test Item	Number of Hopping		
Test Mode	Mode 5: $\pi/4$ -DQPSK Link Mode		
Date of Test	06/01/2012	Test Site	TE02
Frequency Range (MHz)	Measurement (ch)		Limit (ch)
2402 - 2480	79		> 15

9.6. Test Graphs

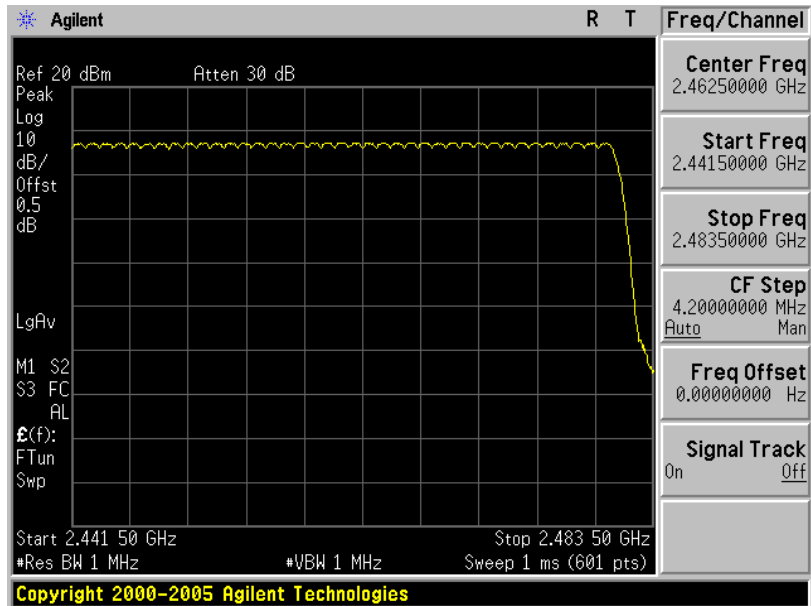


Mode 5: $\pi/4$ -DQPSK Link Mode

CH0~CH39



CH40~CH78

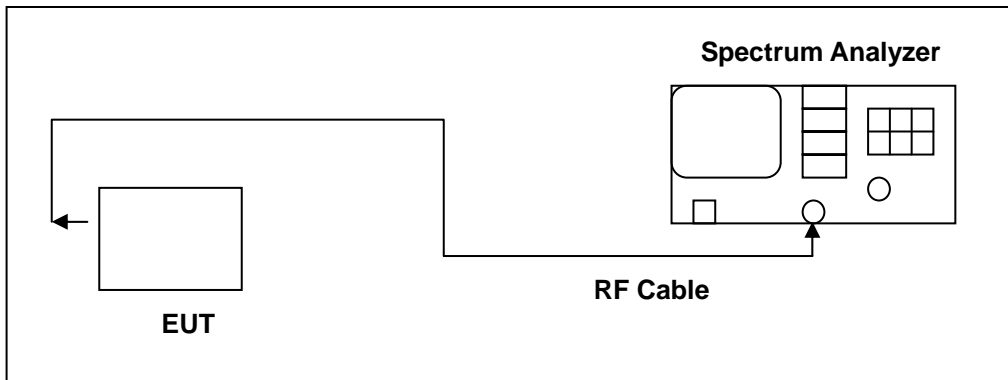


10 Time of Occupancy (Dwell Time) Measurement

10.1.Limit

The average time of occupancy on any channel shall not be greater than 0.4 seconds within a period of 0.4 seconds multiplied by the number of hopping channels employed.

10.2.Test Setup



10.3.Test Instruments

Equipment	Manufacturer	Model Number	Serial Number	Cal. Date	Remark
Spectrum Analyzer	Agilent	E4445A	MY45300744	12/20/2011	(1)
Test Site	ATL	TE02	TE02	N.C.R.	-----

Remark: (1) Calibration period 1 year. (2) Calibration period 2 years.

NOTE: N.C.R. = No Calibration Request.

10.4.Test Procedure

Testing must be done according to this procedure, FCC Public Notice DA 00-705 - Filing and Measurement Guidelines for Frequency Hopping Spread Spectrum Systems. This is the only method recognized by the FCC. The RF output port of the Equipment-Under-Test is directly coupled to the input of the EMC analyzer through a specialized RF connector and a 10dB passive attenuator. A fully charged battery was used for the supply voltage. The Bluetooth hopping function of the EUT was enabled. The following spectrum analyzer settings were used:

1. Span = zero span, centered on a hopping channel
2. RBW = 1 MHz
3. VBW \geq RBW
4. Sweep = as necessary to capture the entire dwell time per hopping channel
5. Detector function = peak
6. Trace = max hold

The marker-delta function was used to determine the dwell time.

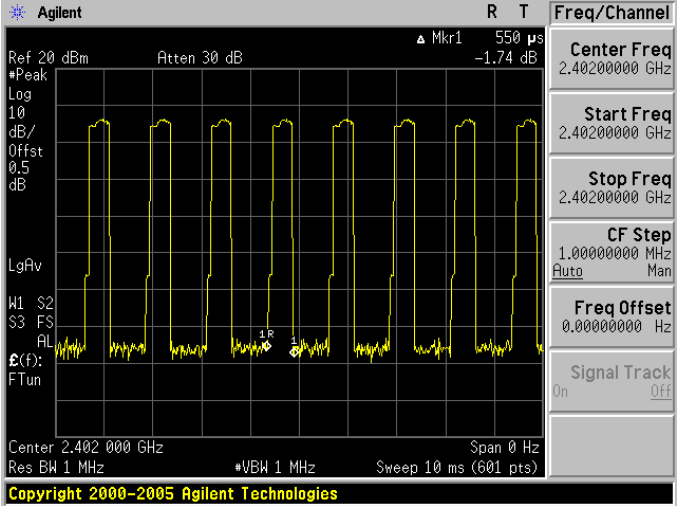
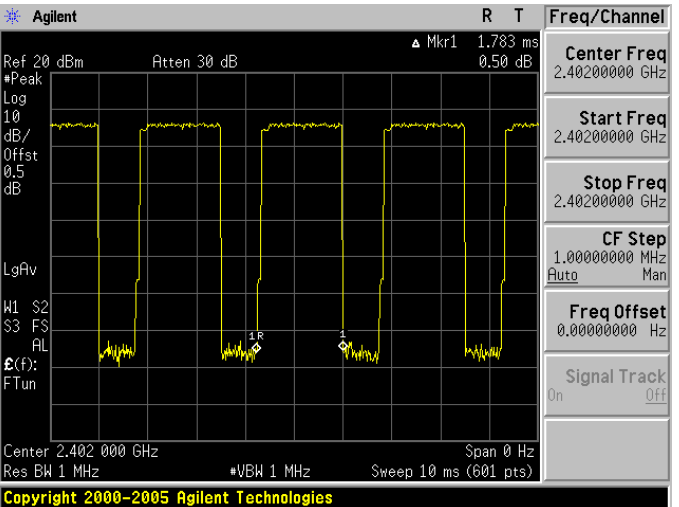
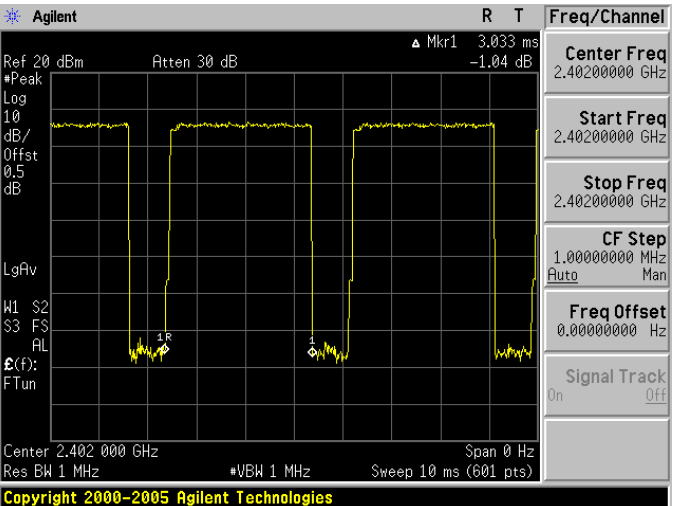
10.5.Test Result

Model Number	TF-RTC-700R-TA-WBG-1110		
Test Item	Time of Occupancy (Dwell Time)		
Test Mode	Mode 4: GFSK Link Mode		
Date of Test	06/01/2012	Test Site	TE02
DH1			
Cycle Calculate	79CH * 0.4 = 31.6 (sec)		
The EUT Hopping Number per Sec	1600 times/sec		
Each Channel Dwell Times per Sec	800/79CH = 10.13(times/sec)		
Each Channel Dwell Times (1)	0.550	ms (sec)	
Each Channel Dwell Times on Cycle(2)	31.6 * 10.13 = 320.108(times)		
Dwell Times on Cycle (1) * (2)	176.0594	ms (sec)	
LIMIT(msec)	< = 400		
DH3			
Cycle Calculate	79CH * 0.4 = 31.6 (sec)		
The EUT Hopping Number per Sec	1600 times/sec		
Each Channel Dwell Times per Sec	400/79CH = 5.1(times/sec)		
Each Channel Dwell Times (1)	1.783	ms (sec)	
Each Channel Dwell Times on Cycle(2)	31.6 * 5.1 = 161.16(times)		
Dwell Times on Cycle (1) * (2)	287.3483	ms (sec)	
LIMIT(msec)	< = 400		
DH5			
Cycle Calculate	79CH * 0.4 = 31.6 (sec)		
The EUT Hopping Number per Sec	1600 times/sec		
Each Channel Dwell Times per Sec	266.7/79CH = 3.37(times/sec)		
Each Channel Dwell Times (1)	3.033	ms (sec)	
Each Channel Dwell Times on Cycle(2)	31.6 * 3.37 = 106.492(times)		
Dwell Times on Cycle (1) * (2)	322.9902	ms (sec)	
LIMIT(msec)	< = 400		

Model Number	TF-RTC-700R-TA-WBG-1110		
Test Item	Time of Occupancy (Dwell Time)		
Test Mode	Mode 5: $\pi/4$ -DQPSK Link Mode		
Date of Test	06/01/2012	Test Site	TE02
2DH1			
Cycle Calculate	$79\text{CH} * 0.4 = 31.6 \text{ (sec)}$		
The EUT Hopping Number per Sec	1600 times/sec		
Each Channel Dwell Times per Sec	$800/79\text{CH} = 10.13(\text{times/sec})$		
Each Channel Dwell Times (1)	0.550	ms (sec)	
Each Channel Dwell Times on Cycle(2)	$31.6 * 10.13 = 320.108(\text{times})$		
Dwell Times on Cycle (1) * (2)	176.0594	ms (sec)	
LIMIT(msec)	< = 400		
2DH3			
Cycle Calculate	$79\text{CH} * 0.4 = 31.6 \text{ (sec)}$		
The EUT Hopping Number per Sec	1600 times/sec		
Each Channel Dwell Times per Sec	$400/79\text{CH} = 5.1(\text{times/sec})$		
Each Channel Dwell Times (1)	1.783	ms (sec)	
Each Channel Dwell Times on Cycle(2)	$31.6 * 5.1 = 161.16(\text{times})$		
Dwell Times on Cycle (1) * (2)	287.3483	ms (sec)	
LIMIT(msec)	< = 400		
2DH5			
Cycle Calculate	$79\text{CH} * 0.4 = 31.6 \text{ (sec)}$		
The EUT Hopping Number per Sec	1600 times/sec		
Each Channel Dwell Times per Sec	$266.7/79\text{CH} = 3.37(\text{times/sec})$		
Each Channel Dwell Times (1)	3.033	ms (sec)	
Each Channel Dwell Times on Cycle(2)	$31.6 * 3.37 = 106.492(\text{times})$		
Dwell Times on Cycle (1) * (2)	322.9902	ms (sec)	
LIMIT(msec)	< = 400		

10.6. Test Graphs

Mode 4: GFSK Link Mode	
DH1	<p>Agilent R T Freq/Channel Ref 20 dBm Atten 30 dB Mkr1 550 μs -0.25 dB Center Freq 2.40200000 GHz Start Freq 2.40200000 GHz Stop Freq 2.40200000 GHz CF Step 1.00000000 MHz Auto Man Freq Offset 0.00000000 Hz Signal Track On Off Center 2.402 000 GHz Span 0 Hz Res BW 1 MHz #VBW 1 MHz Sweep 10 ms (601 pts) Copyright 2000-2005 Agilent Technologies</p>
DH3	<p>Agilent R T Freq/Channel Ref 20 dBm Atten 30 dB Mkr1 1.783 ms -0.73 dB Center Freq 2.40200000 GHz Start Freq 2.40200000 GHz Stop Freq 2.40200000 GHz CF Step 1.00000000 MHz Auto Man Freq Offset 0.00000000 Hz Signal Track On Off Center 2.402 000 GHz Span 0 Hz Res BW 1 MHz #VBW 1 MHz Sweep 10 ms (601 pts) Copyright 2000-2005 Agilent Technologies</p>
DH5	<p>Agilent R T Freq/Channel Ref 20 dBm Atten 30 dB Mkr1 3.033 ms -0.78 dB Center Freq 2.40200000 GHz Start Freq 2.40200000 GHz Stop Freq 2.40200000 GHz CF Step 1.00000000 MHz Auto Man Freq Offset 0.00000000 Hz Signal Track On Off Center 2.402 000 GHz Span 0 Hz Res BW 1 MHz #VBW 1 MHz Sweep 10 ms (601 pts) Copyright 2000-2005 Agilent Technologies</p>

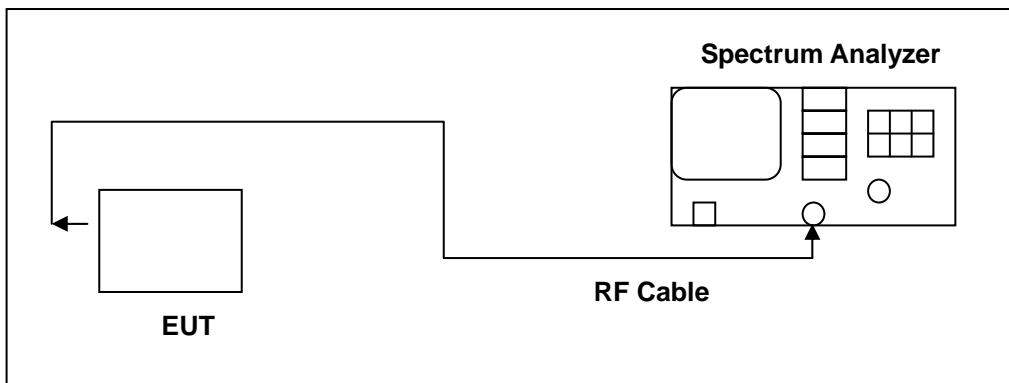
Mode 5: $\pi/4$ -DQPSK Link Mode	
2DH1	 <p>Agilent R T Freq/Channel Ref 20 dBm Atten 30 dB Δ Mkr1 550 ps -1.74 dB #Peak Log 10 dB/ Offst 0.5 dB LgAv W1 S2 S3 FS AL $\mathcal{E}(f)$: FTun Center 2.402 000 GHz Span 0 Hz Res BW 1 MHz #VBW 1 MHz Sweep 10 ms (601 pts) Copyright 2000-2005 Agilent Technologies</p>
2DH3	 <p>Agilent R T Freq/Channel Ref 20 dBm Atten 30 dB Δ Mkr1 1.783 ms 0.50 dB #Peak Log 10 dB/ Offst 0.5 dB LgAv W1 S2 S3 FS AL $\mathcal{E}(f)$: FTun Center 2.402 000 GHz Span 0 Hz Res BW 1 MHz #VBW 1 MHz Sweep 10 ms (601 pts) Copyright 2000-2005 Agilent Technologies</p>
2DH5	 <p>Agilent R T Freq/Channel Ref 20 dBm Atten 30 dB Δ Mkr1 3.033 ms -1.04 dB #Peak Log 10 dB/ Offst 0.5 dB LgAv W1 S2 S3 FS AL $\mathcal{E}(f)$: FTun Center 2.402 000 GHz Span 0 Hz Res BW 1 MHz #VBW 1 MHz Sweep 10 ms (601 pts) Copyright 2000-2005 Agilent Technologies</p>

11 Out of Band Conducted Emissions Measurement

11.1.Limit

In any 100 kHz bandwidth outside the frequency band in which the spread spectrum or digitally modulated intentional radiator is operating, the radio frequency power that is produced by the intentional radiator shall be at least 20 dB below that in the 100 kHz bandwidth within the band that contains the highest level of the desired power

11.2.Test Setup



11.3.Test Instruments

Equipment	Manufacturer	Model Number	Serial Number	Cal. Date	Remark
Spectrum Analyzer	Agilent	E4445A	MY45300744	12/20/2011	(1)
Spectrum Analyzer	Agilent	E4408B	MY45107753	07/07/2012	(1)
Test Site	ATL	TE02	TE02	N.C.R.	-----

Remark: (1) Calibration period 1 year. (2) Calibration period 2 years.

NOTE: N.C.R. = No Calibration Request.

11.4.Test Procedure

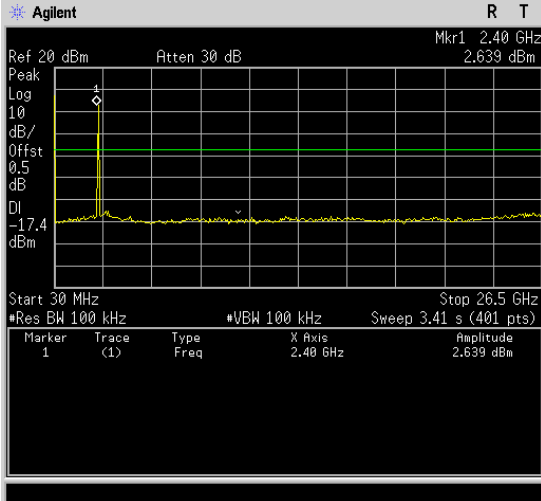
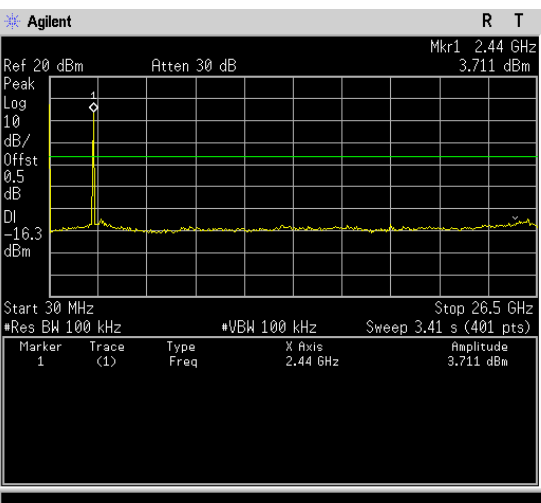
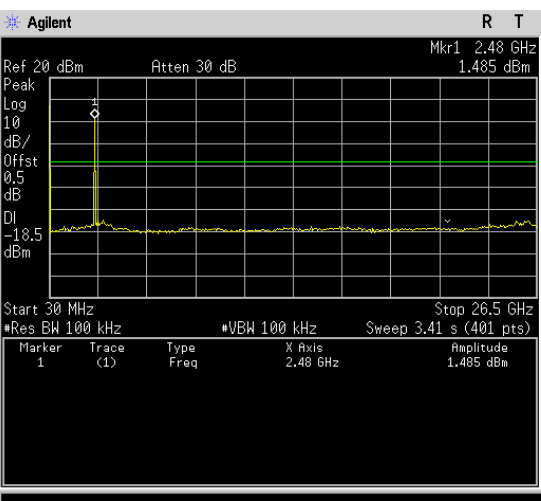
Testing must be done according to this procedure, FCC Public Notice DA 00-705 - Filing and Measurement Guidelines for Frequency Hopping Spread Spectrum Systems. This is the only method recognized by the FCC. In any 100 kHz bandwidth outside the EUT pass band, the RF power produced by the modulation products of the spreading sequence, the information sequence, and the carrier frequency shall be at least 20 dB below that of the maximum in-band 100 kHz emission, antenna output of the EUT was coupled directly to spectrum analyzer; if an external attenuator and/or cable was used, these losses are compensated for with the analyzer OFFSET function.

All other types of emissions from the EUT shall meet the general limits for radiated frequencies outside the pass band. The test was performed at 3 channels (Channel 0, 39, 78)

11.5. Test Graphs

Mode 4: GFSK Link Mode	
2402	
2441	
2480	

Mode 5: $\pi/4$ -DQPSK Link Mode

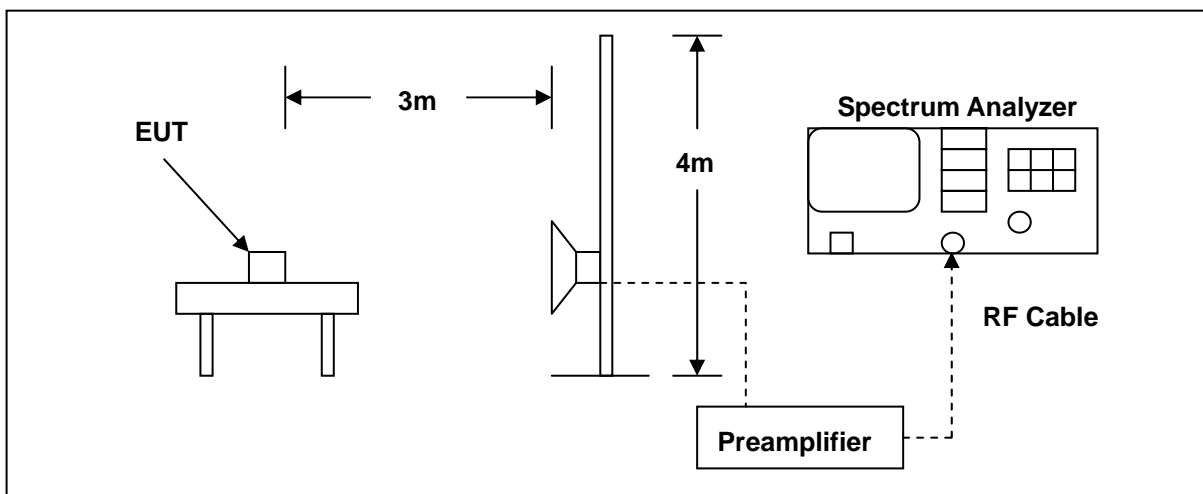
<p>2402</p>	 <table border="1" data-bbox="1182 392 1310 891"> <tr><th colspan="2">Freq/Channel</th></tr> <tr><td>Center Freq</td><td>13.2650000 GHz</td></tr> <tr><td>Start Freq</td><td>30.0000000 MHz</td></tr> <tr><td>Stop Freq</td><td>26.5000000 GHz</td></tr> <tr><td>CF Step</td><td>2.64700000 GHz Auto Man</td></tr> <tr><td>Freq Offset</td><td>0.00000000 Hz</td></tr> <tr><td>Signal Track</td><td>On Off</td></tr> </table>	Freq/Channel		Center Freq	13.2650000 GHz	Start Freq	30.0000000 MHz	Stop Freq	26.5000000 GHz	CF Step	2.64700000 GHz Auto Man	Freq Offset	0.00000000 Hz	Signal Track	On Off
Freq/Channel															
Center Freq	13.2650000 GHz														
Start Freq	30.0000000 MHz														
Stop Freq	26.5000000 GHz														
CF Step	2.64700000 GHz Auto Man														
Freq Offset	0.00000000 Hz														
Signal Track	On Off														
<p>2441</p>	 <table border="1" data-bbox="1182 913 1310 1413"> <tr><th colspan="2">Freq/Channel</th></tr> <tr><td>Center Freq</td><td>13.2650000 GHz</td></tr> <tr><td>Start Freq</td><td>30.0000000 MHz</td></tr> <tr><td>Stop Freq</td><td>26.5000000 GHz</td></tr> <tr><td>CF Step</td><td>2.64700000 GHz Auto Man</td></tr> <tr><td>Freq Offset</td><td>0.00000000 Hz</td></tr> <tr><td>Signal Track</td><td>On Off</td></tr> </table>	Freq/Channel		Center Freq	13.2650000 GHz	Start Freq	30.0000000 MHz	Stop Freq	26.5000000 GHz	CF Step	2.64700000 GHz Auto Man	Freq Offset	0.00000000 Hz	Signal Track	On Off
Freq/Channel															
Center Freq	13.2650000 GHz														
Start Freq	30.0000000 MHz														
Stop Freq	26.5000000 GHz														
CF Step	2.64700000 GHz Auto Man														
Freq Offset	0.00000000 Hz														
Signal Track	On Off														
<p>2480</p>	 <table border="1" data-bbox="1182 1438 1310 1937"> <tr><th colspan="2">Freq/Channel</th></tr> <tr><td>Center Freq</td><td>13.2650000 GHz</td></tr> <tr><td>Start Freq</td><td>30.0000000 MHz</td></tr> <tr><td>Stop Freq</td><td>26.5000000 GHz</td></tr> <tr><td>CF Step</td><td>2.64700000 GHz Auto Man</td></tr> <tr><td>Freq Offset</td><td>0.00000000 Hz</td></tr> <tr><td>Signal Track</td><td>On Off</td></tr> </table>	Freq/Channel		Center Freq	13.2650000 GHz	Start Freq	30.0000000 MHz	Stop Freq	26.5000000 GHz	CF Step	2.64700000 GHz Auto Man	Freq Offset	0.00000000 Hz	Signal Track	On Off
Freq/Channel															
Center Freq	13.2650000 GHz														
Start Freq	30.0000000 MHz														
Stop Freq	26.5000000 GHz														
CF Step	2.64700000 GHz Auto Man														
Freq Offset	0.00000000 Hz														
Signal Track	On Off														

12 Band Edges Measurement

12.1.Limit

In any 100 kHz bandwidth outside the frequency band in which the spread spectrum or digitally modulated intentional radiator is operating, the radio frequency power that is produced by the intentional radiator shall be at least 20 dB below that in the 100 kHz bandwidth within the band that contains the highest level of the desired power

12.2.Test Setup



12.3.Test Instruments

Equipment	Manufacturer	Model Number	Serial Number	Cal. Date	Remark
Spectrum Analyzer	Agilent	E4408B	MY45107753	07/07/2012	(1)
Pre Amplifier	Agilent	8449B	3008A02237	02/22/2012	(1)
Horn Antenna	SCHWARZBECK MESS-ELEKTRONIK	9120D	9120D-550	06/15/2012	(1)
Test Site	ATL	TE01	888001	12/20/2011	(1)

Remark: (1) Calibration period 1 year. (2) Calibration period 2 years.

NOTE: N.C.R. = No Calibration Request.

12.4. Test Procedure

Testing must be done according to this procedure, FCC Public Notice DA 00-705 - Filing and Measurement Guidelines for Frequency Hopping Spread Spectrum Systems. This is the only method recognized by the FCC. The emissions on the harmonics frequencies, the limits, and the margin of compliance are presented. These tests were made when the transmitter was in full radiated power. The additional test was performed to show compliance with the requirement at the band-edge frequency 2483.5 MHz and up to 2500 MHz and at 2390.0 MHz.

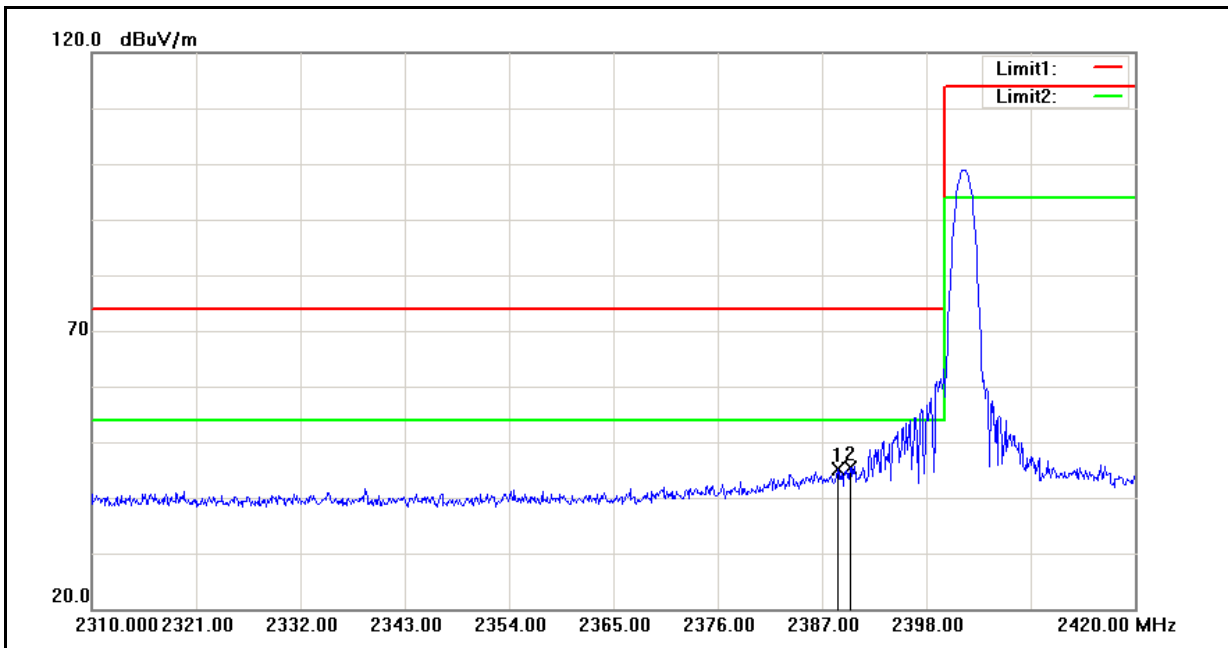
The transmitter was configured with the worst case antenna and setup to transmit at the highest channel. Then the field strength was measured at 2483.5 MHz.

The transmitter was then configured with the worst case antenna and setup to transmit at the lowest channel. Then the field strength was measured at 2390.0 MHz. These tests were performed at 4 different bit rates.

For measurements the resolution bandwidth is set to 1 MHz, and then the video bandwidth is set to 1 MHz for peak measurements and 10 Hz for average measurements.

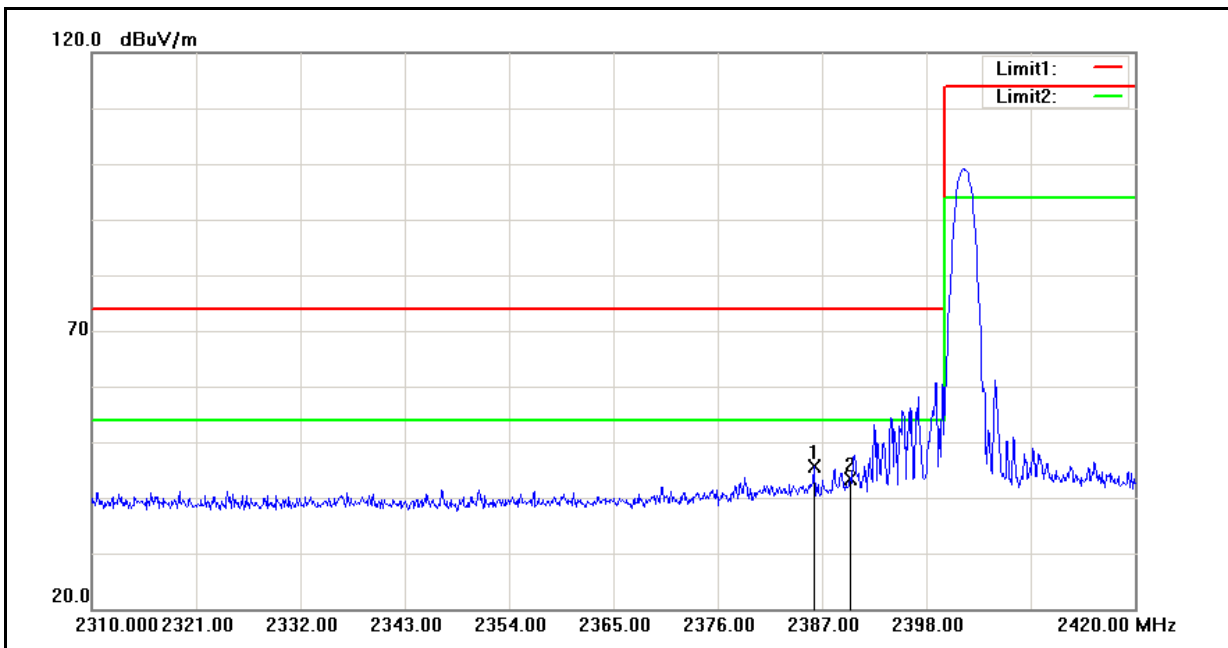
12.5.Test Result

Standard:	FCC Part 15C	Test Distance:	3m
Test item:	Radiated Emission	Power:	AC 120V/60Hz
Model Number:	TF-RTC-700R-TA-WBG-1110	Temp.(°C)/Hum.(%RH):	26(°C)/60%RH
Mode:	Mode 4	Date:	05/31/2012
Frequency:	2402 MHz	Test By:	Fly Lu
Ant.Polar.:	Horizontal		



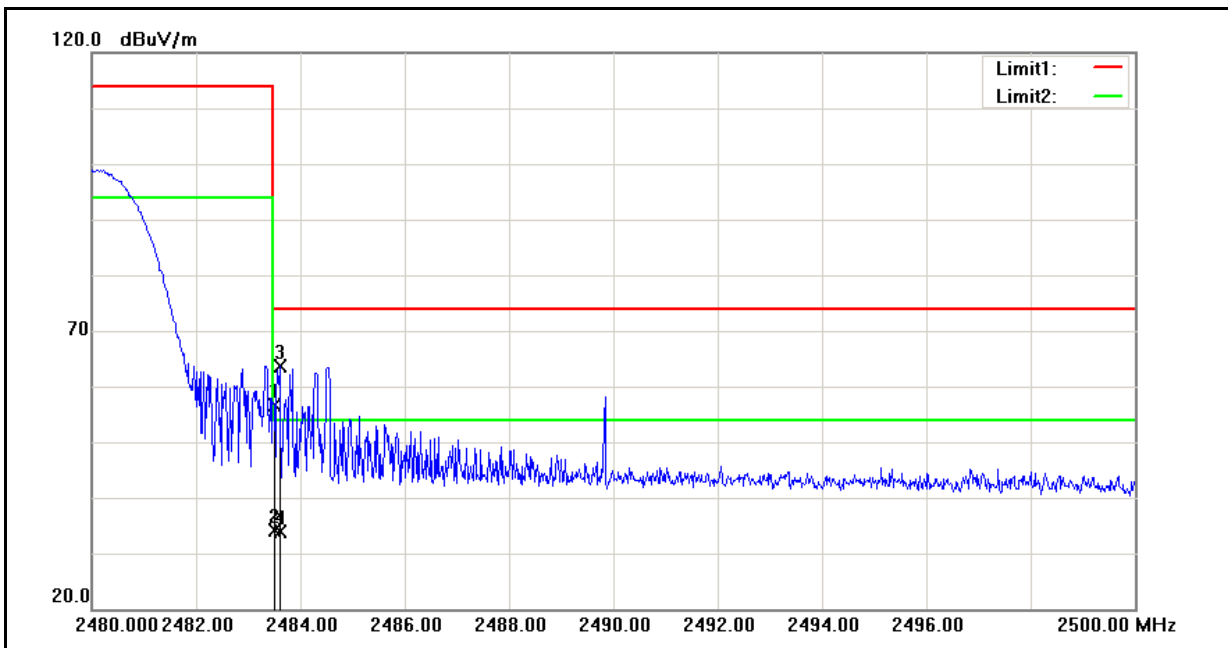
No.	Frequency (MHz)	Reading (dBuV)	Correct Factor(dB/m)	Result (dBuV/m)	Limit (dBuV/m)	Margin (dB)	Remark
1	2388.650	45.24	-0.06	45.18	74.00	-28.82	peak
2	2390.000	45.35	-0.06	45.29	74.00	-28.71	peak

Standard:	FCC Part 15C	Test Distance:	3m
Test item:	Radiated Emission	Power:	AC 120V/60Hz
Model Number:	TF-RTC-700R-TA-WBG-1110	Temp.(°C)/Hum.(%RH):	26(°C)/60%RH
Mode:	Mode 4	Date:	05/31/2012
Frequency:	2402 MHz	Test By:	Fly Lu
Ant.Polar.:	Vertical		



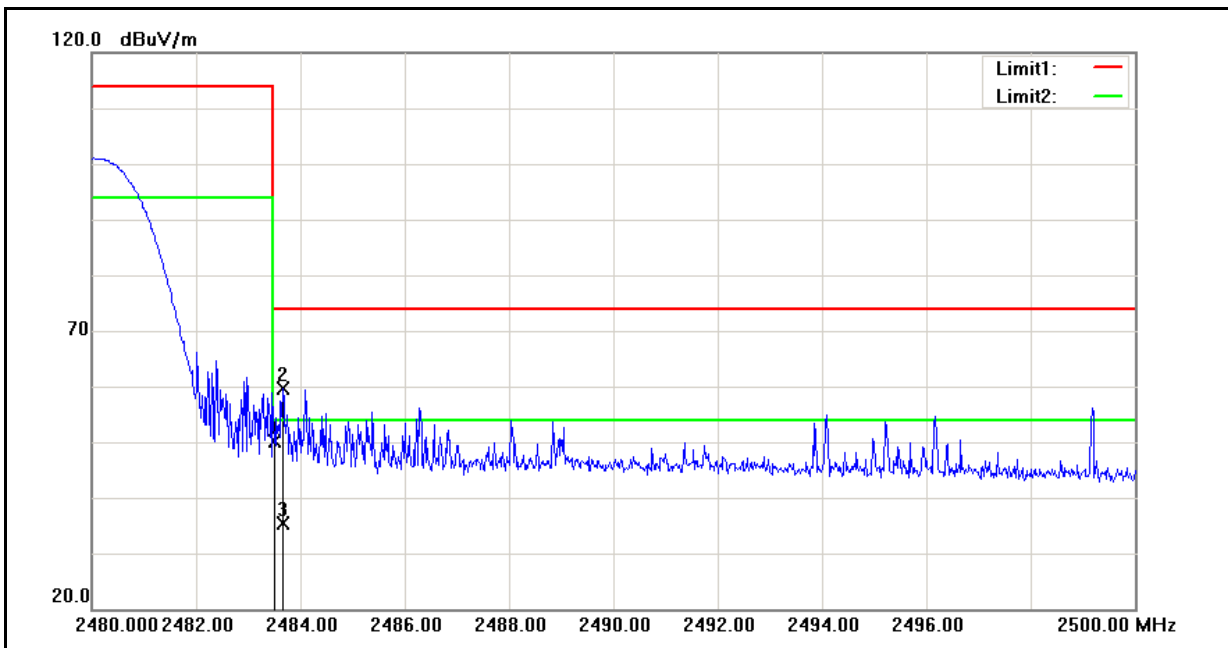
No.	Frequency (MHz)	Reading (dBuV)	Correct Factor(dB/m)	Result (dBuV/m)	Limit (dBuV/m)	Margin (dB)	Remark
1	2386.120	45.80	-0.08	45.72	74.00	-28.28	peak
2	2390.000	43.56	-0.06	43.50	74.00	-30.50	peak

Standard:	FCC Part 15C	Test Distance:	3m
Test item:	Radiated Emission	Power:	AC 120V/60Hz
Model Number:	TF-RTC-700R-TA-WBG-1110	Temp.(°C)/Hum.(%RH):	26(°C)/60%RH
Mode:	Mode 4	Date:	05/31/2012
Frequency:	2480 MHz	Test By:	Fly Lu
Ant.Polar.:	Horizontal		



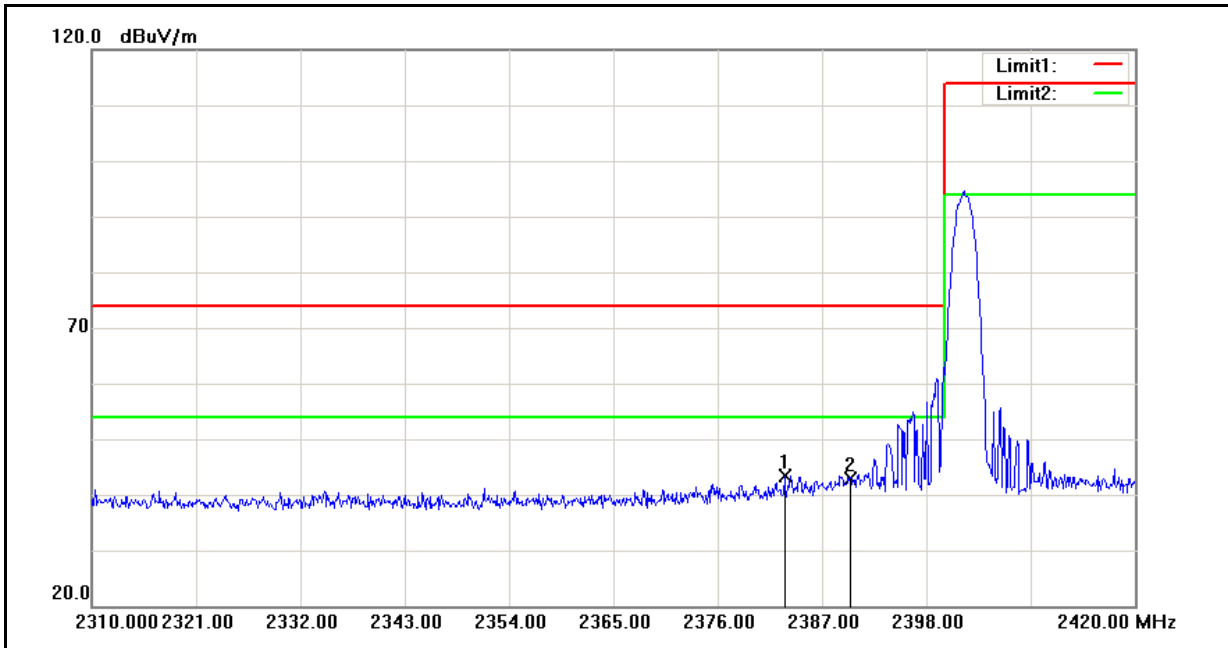
No.	Frequency (MHz)	Reading (dBuV)	Correct Factor(dB/m)	Result (dBuV/m)	Limit (dBuV/m)	Margin (dB)	Remark
1	2483.500	56.26	0.35	56.61	74.00	-17.39	peak
2	2483.500	33.70	0.35	34.05	54.00	-19.95	AVG
3	2483.600	63.28	0.35	63.63	74.00	-10.37	peak
4	2483.600	33.50	0.35	33.85	54.00	-20.15	AVG

Standard:	FCC Part 15C	Test Distance:	3m
Test item:	Radiated Emission	Power:	AC 120V/60Hz
Model Number:	TF-RTC-700R-TA-WBG-1110	Temp.(°C)/Hum.(%RH):	26(°C)/60%RH
Mode:	Mode 4	Date:	05/31/2012
Frequency:	2480 MHz	Test By:	Fly Lu
Ant.Polar.:	Vertical		



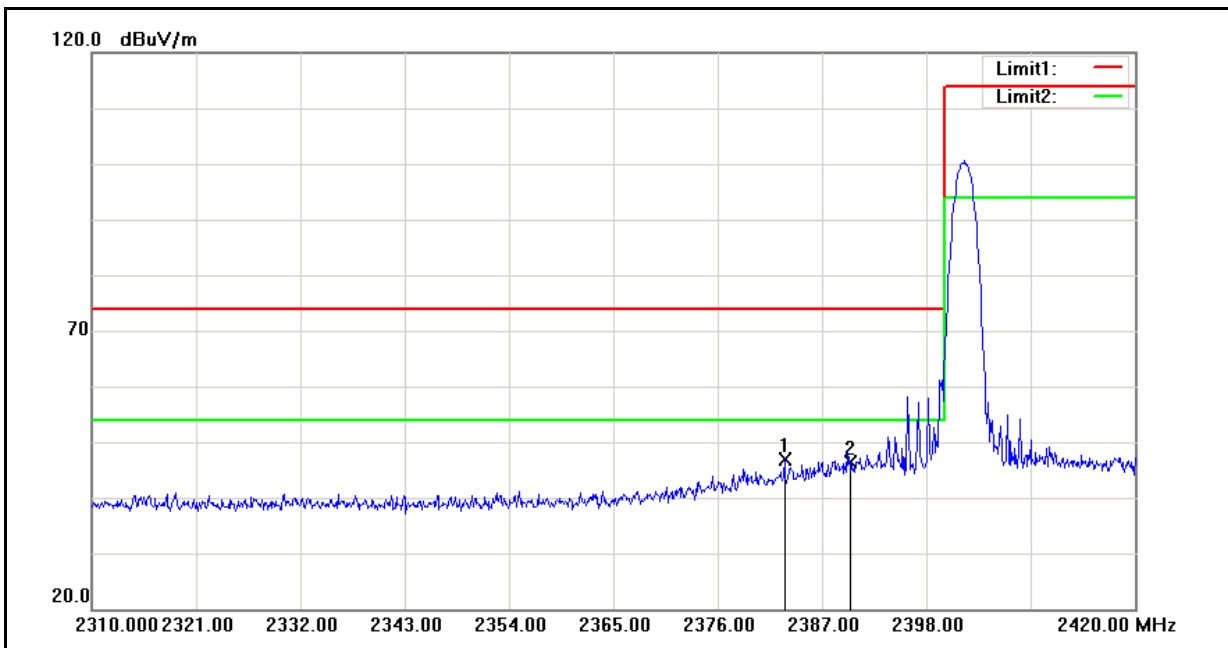
No.	Frequency (MHz)	Reading (dBuV)	Correct Factor(dB/m)	Result (dBuV/m)	Limit (dBuV/m)	Margin (dB)	Remark
1	2483.500	49.72	0.35	50.07	74.00	-23.93	peak
2	2483.660	59.39	0.35	59.74	74.00	-14.26	peak
3	2483.660	34.95	0.35	35.30	54.00	-18.70	AVG

Standard:	FCC Part 15C	Test Distance:	3m
Test item:	Radiated Emission	Power:	AC 120V/60Hz
Model Number:	TF-RTC-700R-TA-WBG-1110	Temp.(°C)/Hum.(%RH):	26(°C)/60%RH
Mode:	Mode 5	Date:	05/31/2012
Frequency:	2402 MHz	Test By:	Fly Lu
Ant.Polar.:	Horizontal		



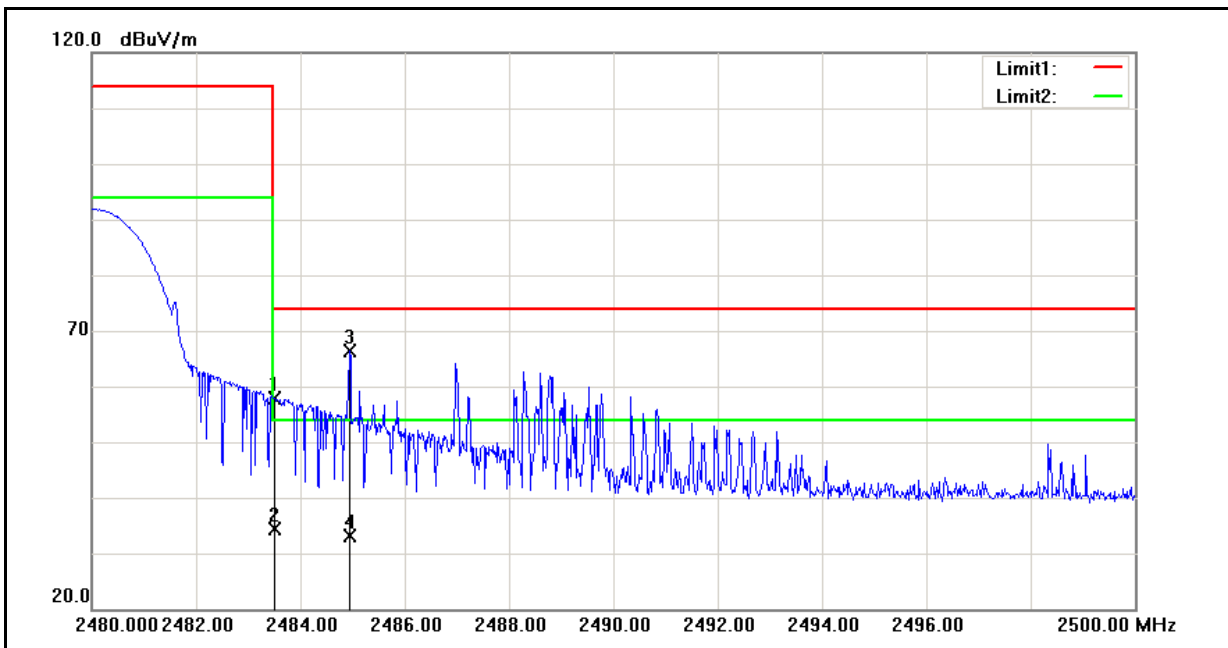
No.	Frequency (MHz)	Reading (dBuV)	Correct Factor(dB/m)	Result (dBuV/m)	Limit (dBuV/m)	Margin (dB)	Remark
1	2383.040	43.47	-0.09	43.38	74.00	-30.62	peak
2	2390.000	42.89	-0.06	42.83	74.00	-31.17	peak

Standard:	FCC Part 15C	Test Distance:	3m
Test item:	Radiated Emission	Power:	AC 120V/60Hz
Model Number:	TF-RTC-700R-TA-WBG-1110	Temp.(°C)/Hum.(%RH):	26(°C)/60%RH
Mode:	Mode 5	Date:	05/31/2012
Frequency:	2402 MHz	Test By:	Fly Lu
Ant.Polar.:	Vertical		



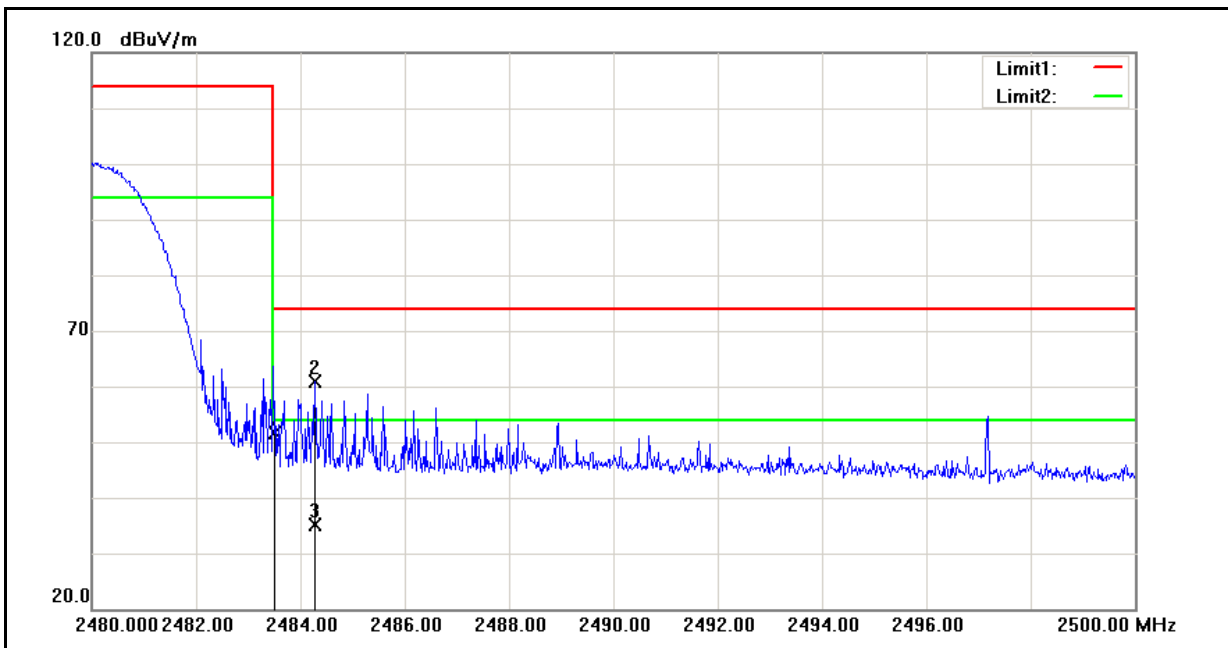
No.	Frequency (MHz)	Reading (dBuV)	Correct Factor(dB/m)	Result (dBuV/m)	Limit (dBuV/m)	Margin (dB)	Remark
1	2383.040	47.09	-0.09	47.00	74.00	-27.00	peak
2	2390.000	46.55	-0.06	46.49	74.00	-27.51	peak

Standard:	FCC Part 15C	Test Distance:	3m
Test item:	Radiated Emission	Power:	AC 120V/60Hz
Model Number:	TF-RTC-700R-TA-WBG-1110	Temp.(°C)/Hum.(%RH):	26(°C)/60%RH
Mode:	Mode 5	Date:	05/31/2012
Frequency:	2480 MHz	Test By:	Fly Lu
Ant.Polar.:	Horizontal		



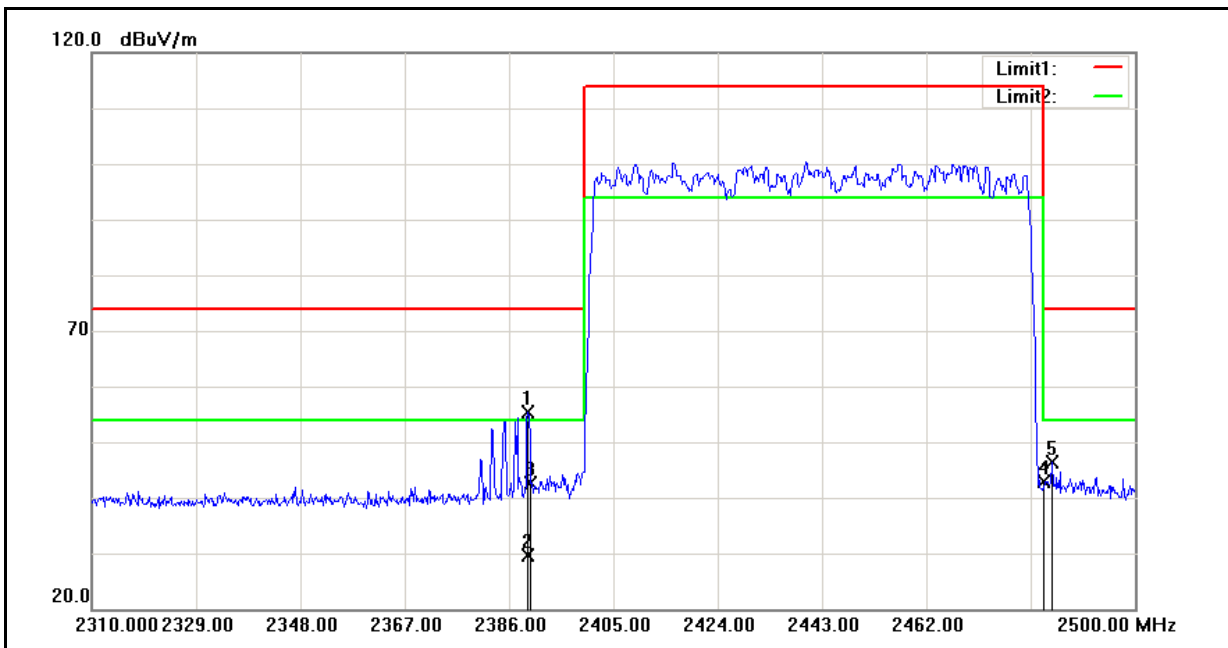
No.	Frequency (MHz)	Reading (dBuV)	Correct Factor(dB/m)	Result (dBuV/m)	Limit (dBuV/m)	Margin (dB)	Remark
1	2483.500	57.51	0.35	57.86	74.00	-16.14	peak
2	2483.500	34.11	0.35	34.46	54.00	-19.54	AVG
3	2484.940	65.98	0.35	66.33	74.00	-7.67	peak
4	2484.940	32.72	0.35	33.07	54.00	-20.93	AVG

Standard:	FCC Part 15C	Test Distance:	3m
Test item:	Radiated Emission	Power:	AC 120V/60Hz
Model Number:	TF-RTC-700R-TA-WBG-1110	Temp.(°C)/Hum.(%RH):	26(°C)/60%RH
Mode:	Mode 5	Date:	05/31/2012
Frequency:	2480 MHz	Test By:	Fly Lu
Ant.Polar.:	Vertical		



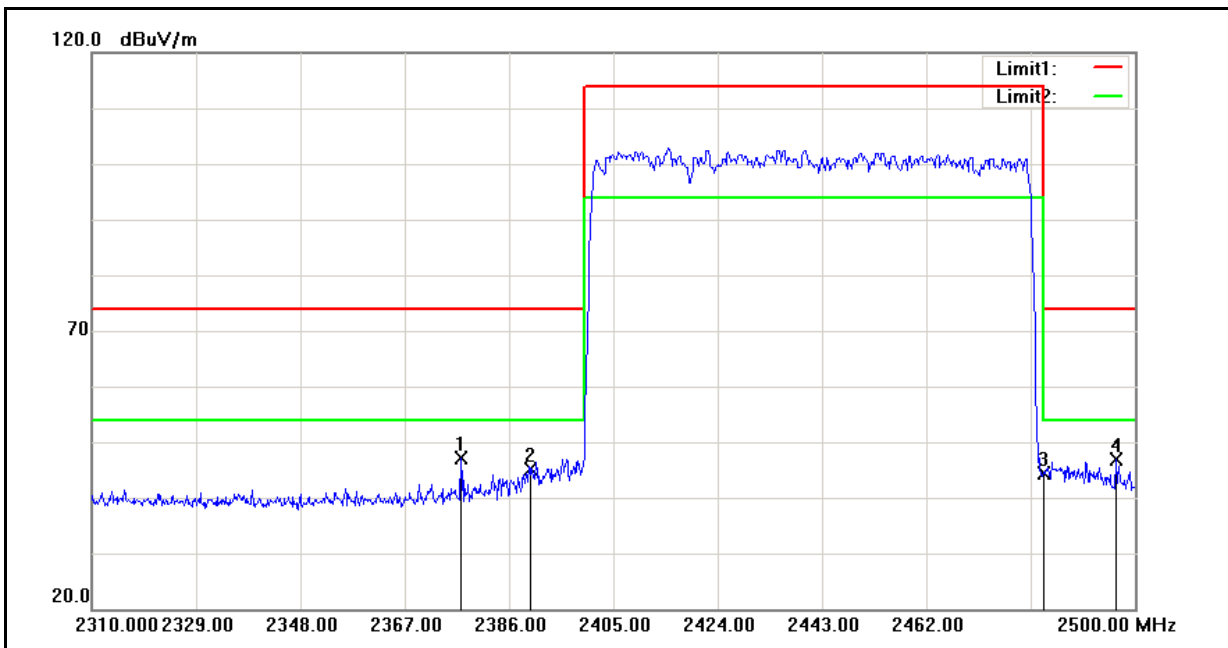
No.	Frequency (MHz)	Reading (dBuV)	Correct Factor(dB/m)	Result (dBuV/m)	Limit (dBuV/m)	Margin (dB)	Remark
1	2483.500	51.37	0.35	51.72	74.00	-22.28	peak
2	2484.280	60.50	0.35	60.85	74.00	-13.15	peak
3	2484.280	34.75	0.35	35.10	54.00	-18.90	AVG

Standard:	FCC Part 15C	Test Distance:	3m
Test item:	Radiated Emission	Power:	AC 120V/60Hz
Model Number:	TF-RTC-700R-TA-WBG-1110	Temp.(°C)/Hum.(%RH):	26(°C)/60%RH
Mode:	Hopping	Date:	05/31/2012
Ant.Polar.:	Horizontal	Test By:	Fly Lu



No.	Frequency (MHz)	Reading (dBuV)	Correct Factor(dB/m)	Result (dBuV/m)	Limit (dBuV/m)	Margin (dB)	Remark
1	2389.420	55.53	-0.06	55.47	74.00	-18.53	peak
2	2389.420	29.76	-0.06	29.70	54.00	-24.30	AVG
3	2390.000	42.73	-0.06	42.67	74.00	-31.33	peak
4	2483.500	42.53	0.35	42.88	74.00	-31.12	peak
5	2484.990	46.11	0.35	46.46	74.00	-27.54	peak

Standard:	FCC Part 15C	Test Distance:	3m
Test item:	Radiated Emission	Power:	AC 120V/60Hz
Model Number:	TF-RTC-700R-TA-WBG-1110	Temp.(°C)/Hum.(%RH):	26(°C)/60%RH
Mode:	Hopping	Date:	05/31/2012
Ant.Polar.:	Vertical	Test By:	Fly Lu



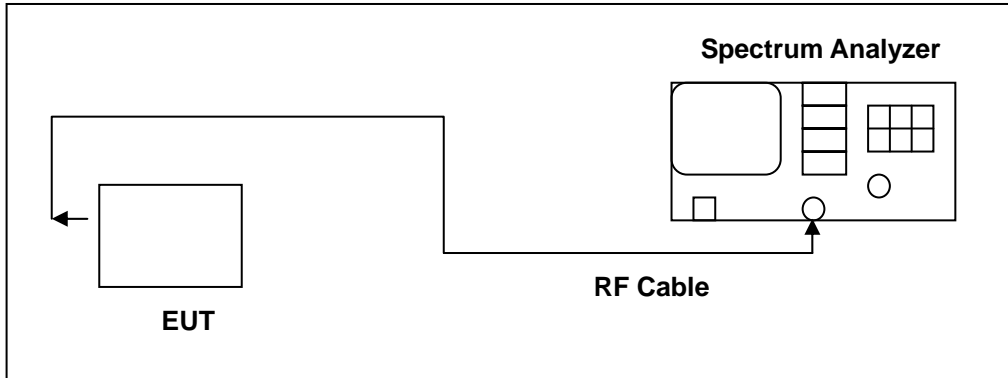
No.	Frequency (MHz)	Reading (dBuV)	Correct Factor(dB/m)	Result (dBuV/m)	Limit (dBuV/m)	Margin (dB)	Remark
1	2377.260	47.13	-0.12	47.01	74.00	-26.99	peak
2	2390.000	45.23	-0.06	45.17	74.00	-28.83	peak
3	2483.500	44.01	0.35	44.36	74.00	-29.64	peak
4	2496.580	46.41	0.41	46.82	74.00	-27.18	peak

13 99 % Occupied Bandwidth Measurement

13.1.Limit

N/A

13.2.Test Setup



13.3.Test Instruments

Equipment	Manufacturer	Model Number	Serial Number	Cal. Date	Remark
Spectrum Analyzer	Agilent	E4445A	MY45300744	12/20/2011	(1)
Test Site	ATL	TE02	TE02	N.C.R.	-----

Remark: (1) Calibration period 1 year. (2) Calibration period 2 years.

NOTE: N.C.R. = No Calibration Request.

13.4.Test Procedure

The transmitter shall be operated at its maximum carrier power measured under normal test conditions. The span of the analyzer shall be set to capture all products of the modulation process, including the emission skirts. The resolution bandwidth shall be set to as close to 1% of the selected span as is possible without being below 1%. The video bandwidth shall be set to 3 times the resolution bandwidth. Video averaging is not permitted. Where practical, a sampling detector shall be used since a peak or peak hold, may produce a wider bandwidth than actual.

The trace data points are recovered and are directly summed in linear terms. The recovered amplitude data points, beginning at the lowest frequency, are placed in a running sum until 0.5% of the total is reached and that frequency recorded. The process is repeated for the highest frequency data points. This frequency is recorded.

13.5. Test Result

Model Number	TF-RTC-700R-TA-WBG-1110		
Test Item	99 % Occupied Bandwidth		
Test Mode	Mode 4: GFSK Link Mode		
Date of Test	06/01/2012	Test Site	TE02
Frequency (MHz)	Measurement (MHz)	Limit (MHz)	
2402	0.8856924	-----	
2441	0.9021511	-----	
2480	0.9047743	-----	

Model Number	TF-RTC-700R-TA-WBG-1110		
Test Item	99 % Occupied Bandwidth		
Test Mode	Mode 5: $\pi/4$ -DQPSK Link Mode		
Date of Test	06/01/2012	Test Site	TE02
Frequency (MHz)	Measurement (MHz)	Limit (MHz)	
2402	1.1948	-----	
2441	1.1934	-----	
2480	1.1892	-----	

13.6. Test Graphs

Mode 4: GFSK Link Mode	
2402	
2441	
2480	

Mode 5: $\pi/4$ -DQPSK Link Mode	
2402	<p>Agilent R T Freq/Channel</p> <p>Ch Freq 2.402 GHz Trig Free</p> <p>Center Freq 2.40200000 GHz</p> <p>Start Freq 2.40050000 GHz</p> <p>Stop Freq 2.40350000 GHz</p> <p>CF Step 300.000000 kHz Auto Man</p> <p>Freq Offset 0.00000000 Hz</p> <p>Signal Track On Off</p> <p>Ref 20 dBm Atten 30 dB</p> <p>#Samp Log 10 dB/Offst 0.5 dB</p> <p>Center 2.402 000 GHz Span 3 MHz</p> <p>#Res BW 30 kHz #VBW 100 kHz Sweep 10.04 ms (601 pts)</p> <p>Occupied Bandwidth 1.1948 MHz</p> <p>Occ BW % Pwr 99.00 % x dB -26.00 dB</p> <p>Transmit Freq Error -10.714 kHz</p> <p>x dB Bandwidth 1.392 MHz*</p> <p>Copyright 2000-2005 Agilent Technologies</p>
2441	<p>Agilent R T Freq/Channel</p> <p>Ch Freq 2.441 GHz Trig Free</p> <p>Center Freq 2.44100000 GHz</p> <p>Start Freq 2.43950000 GHz</p> <p>Stop Freq 2.44250000 GHz</p> <p>CF Step 300.000000 kHz Auto Man</p> <p>Freq Offset 0.00000000 Hz</p> <p>Signal Track On Off</p> <p>Ref 20 dBm Atten 30 dB</p> <p>#Samp Log 10 dB/Offst 0.5 dB</p> <p>Center 2.441 000 GHz Span 3 MHz</p> <p>#Res BW 30 kHz #VBW 100 kHz Sweep 10.04 ms (601 pts)</p> <p>Occupied Bandwidth 1.1934 MHz</p> <p>Occ BW % Pwr 99.00 % x dB -26.00 dB</p> <p>Transmit Freq Error -11.478 kHz</p> <p>x dB Bandwidth 1.384 MHz*</p> <p>Copyright 2000-2005 Agilent Technologies</p>
2480	<p>Agilent R T Freq/Channel</p> <p>Ch Freq 2.48 GHz Trig Free</p> <p>Center Freq 2.48000000 GHz</p> <p>Start Freq 2.47850000 GHz</p> <p>Stop Freq 2.48150000 GHz</p> <p>CF Step 300.000000 kHz Auto Man</p> <p>Freq Offset 0.00000000 Hz</p> <p>Signal Track On Off</p> <p>Ref 20 dBm Atten 30 dB</p> <p>#Samp Log 10 dB/Offst 0.5 dB</p> <p>Center 2.480 000 GHz Span 3 MHz</p> <p>#Res BW 30 kHz #VBW 100 kHz Sweep 10.04 ms (601 pts)</p> <p>Occupied Bandwidth 1.1892 MHz</p> <p>Occ BW % Pwr 99.00 % x dB -26.00 dB</p> <p>Transmit Freq Error -8.491 kHz</p> <p>x dB Bandwidth 1.385 MHz*</p> <p>Copyright 2000-2005 Agilent Technologies</p>

14 Antenna Measurement

14.1.Limit

For intentional device, according to 15.203, an intentional radiator shall be designed to ensure that no antenna other than that furnished by the responsible party shall be used with the device.

And According to 15.247 (b), if transmitting antennas of directional gain greater than 6 dBi are used, the power shall be reduced by the amount in dB that the directional gain of the antenna exceeds 6dBi.

14.2.Antenna Connector Construction

The antenna used in this product is **PCB antenna**. And the maximum Gain of this antenna is only **3.91 dBi**.