



AAEON

Tablet 10 WiFi antenna report

Rev H2
06 Dec.-2023

Revision History

Revision	Date	Description of changes
A	19 Dec -2017	LTE initial report.
B	10 Jan-2018	Get new unit and fine-tuning the antenna.
C	5 Feb-2018	Get DVT2 unit sample and fine-tuning the antenna.
D	22-Feb-2018	Fine-tuning the LTE antenna.
E	14-Mar-2018	Verify antenna efficiency
F	14-Dec-2018	Re-design antenna for japan region.
G	25-Dec-2018	Fine-tuning the LTE antenna.(Japan sku)
H	04-Jan-2019	Verify manufactory WiFi PCB sample.
H2	06-Dec.-2023	Re-measure antenna related data

Content

1.0		Summary
2.0		Test fixture
3.0		Matching Network Circuitry
4.0		Test setup (Network Analyzer)
	4.1	Laboratory Equipment
	4.2	ETS Chamber - AMS-8500
5.0		S11/VSWR
	5.1	Efficiency

1.0 Summary

- ◆ To verify the manufactory WiFi PCB sample and show the results in this report.
- ◆ Antenna
 - WiFi:PCB antenna.
- ◆ The test fixture is shown in Section 2.
- ◆ Entire data is collected thru SINBON Taipei lab.

2.0 Test fixtures pictures



Front view



Rear view

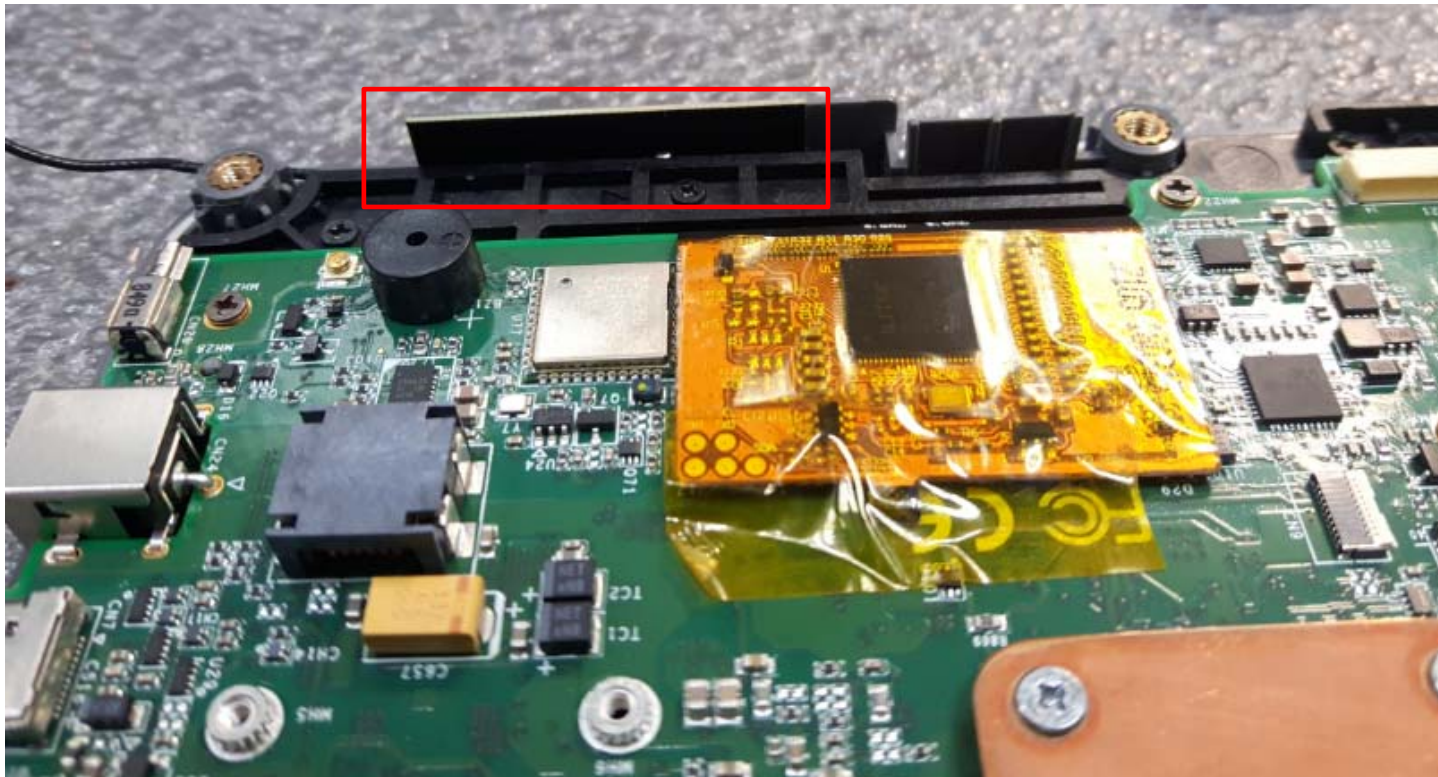
2.0 Test fixtures pictures



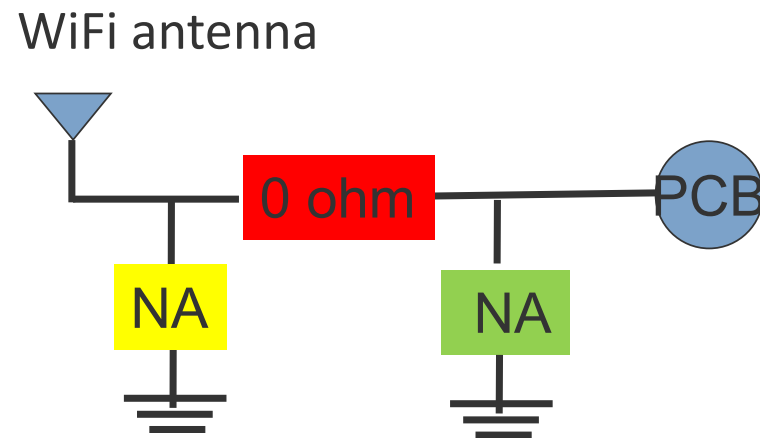
WiFi Antenna

2.0 Test fixtures pictures

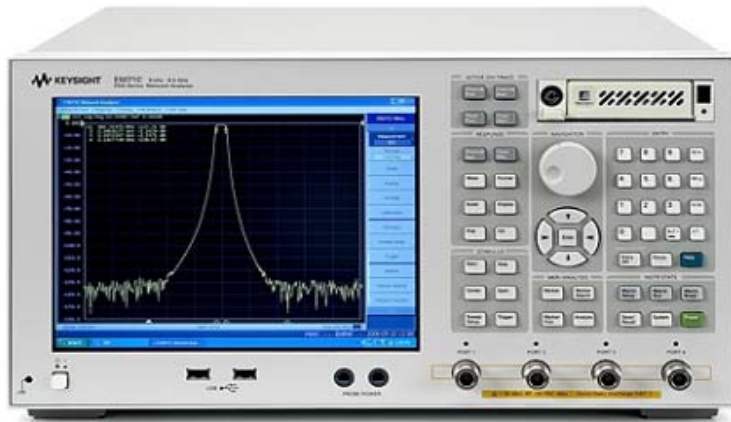
WiFi Antenna



3.0 Matching Network Circuitry



4.0 Test setup (Network Analyzer)

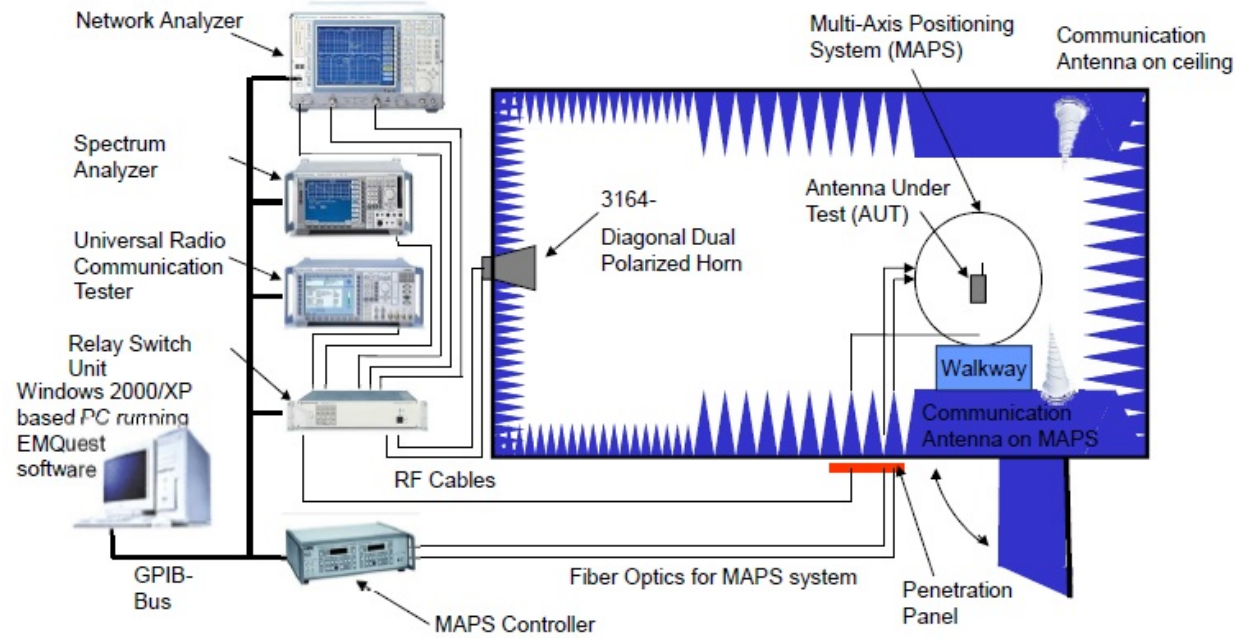


VSWR / S11 measurements were performed using an Agilent E5071C Network Analyzer and the test fixture shown in section 2. The testing was performed in free space. The complete VSWR and isolation plots are provided in section 5.0.

4.1 Laboratory Equipment

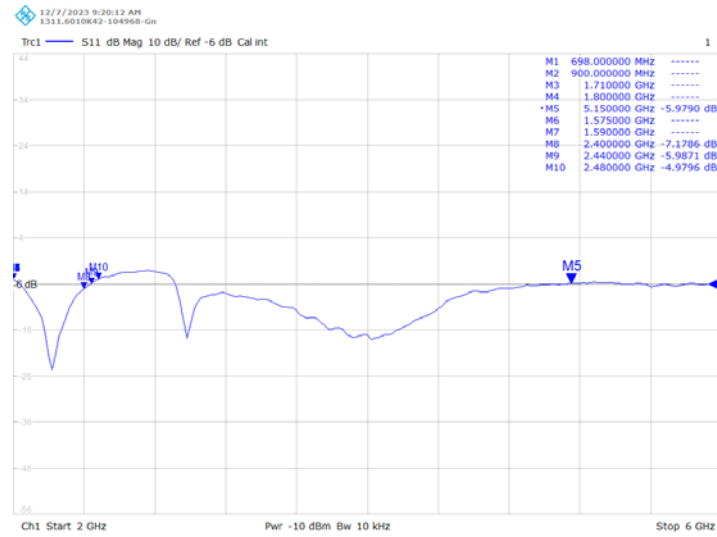


4.2 ETS Chamber - AMS-8500

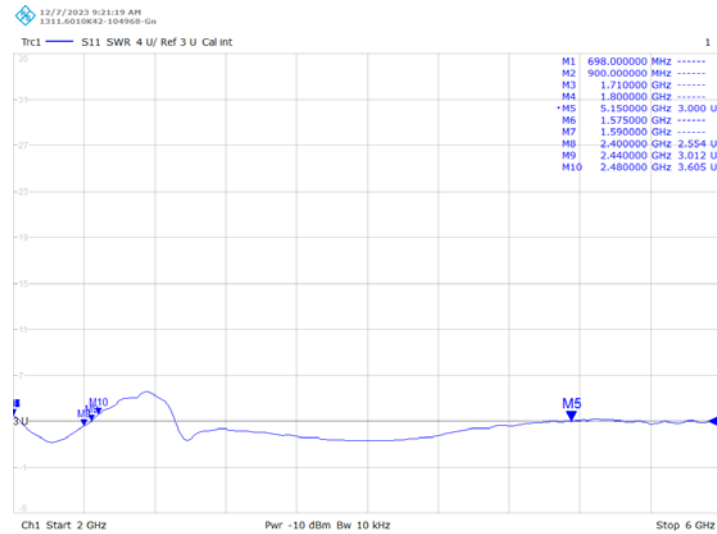


5.0 WiFi S11/VSWR

S11



VSWR



5.1 WiFi Antenna Efficiency

Frequency Band				
WLAN	MHz	6-Dec.-23		
		Free Space		
		Peak Gain(dBi)	Efficiency(%)	Avg. Gain(dBi)
IEEE 802.11 b/g	2400	4.15	63.64	-1.96
	2420	4.15	61.12	-2.14
	2460	3.61	54.91	-2.60
	2480	3.44	52.41	-2.81
	2500	3.35	49.16	-3.08
IEEE 802.11 a	5150	2.29	50.41	-2.97
	5250	2.80	58.30	-2.34
	5350	4.02	66.00	-1.80
	5470	3.80	70.15	-1.54
	5725	4.28	74.18	-1.30
	5785	4.88	67.07	-1.73
	5875	5.41	60.20	-2.20



thank you

*danke děkuji ありがとう merci gracias
grazie kiitos תודות köszöni tak tack*

