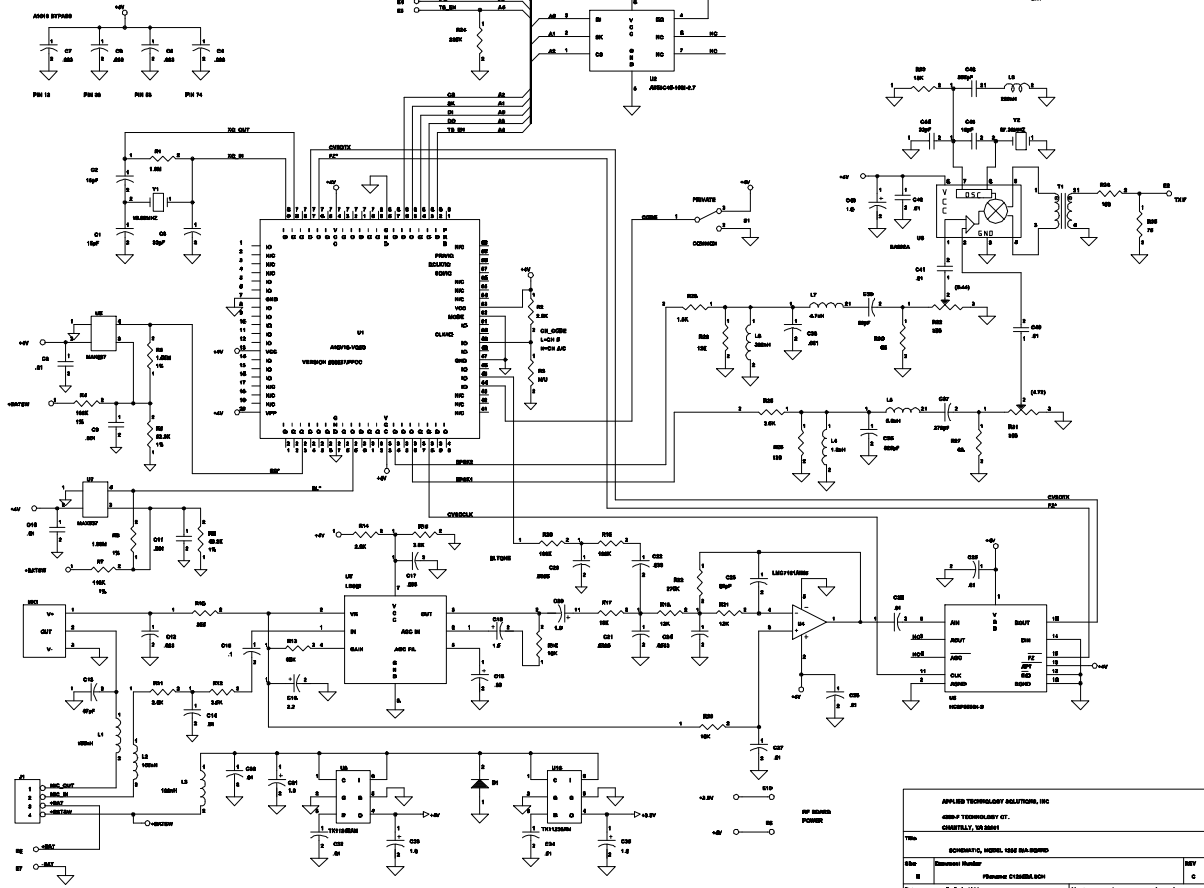


THIS DOCUMENT CONTAINS INFORMATION PROPRIETARY TO APPLIED TECHNOLOGY SOLUTIONS, INC. ANY REPRODUCTION, DISCLOSURE OR USE OF THIS DOCUMENT IN ANY MANNER WITHOUT THE WRITTEN PERMISSION OF APPLIED TECHNOLOGY SOLUTIONS, INC. IS STRICTLY PROHIBITED.

REFERENCE DESIGNATOR LEGEND

C1-C46	01-050
D1	01
D2-D3	11
J1	01-010
L1-L4	11-11
U1	01-01



APPLIED TECHNOLOGY SOLUTIONS, INC.			
450 P TECHNOLOGY CT.			
CHESHAM, VERMONT			
Rev	Document Number	Rev	
1	PS-1000-001	1	C
Date	Author	Drawn	Checked
July 8, 1999	Phuong C. BARRON		

THIS DOCUMENT CONTAINS INFORMATION PROPRIETARY TO APPLIED TECHNOLOGY SOLUTIONS, INC. ANY REPRODUCTION, DISSEMINATION OR USE OF THE DOCUMENT IS EXPRESSLY PROHIBITED EXCEPT AS AUTHORIZED BY APPLIED TECHNOLOGY SOLUTIONS, INC. SEE DISPOSITION STATE TO BE DETERMINED.

