

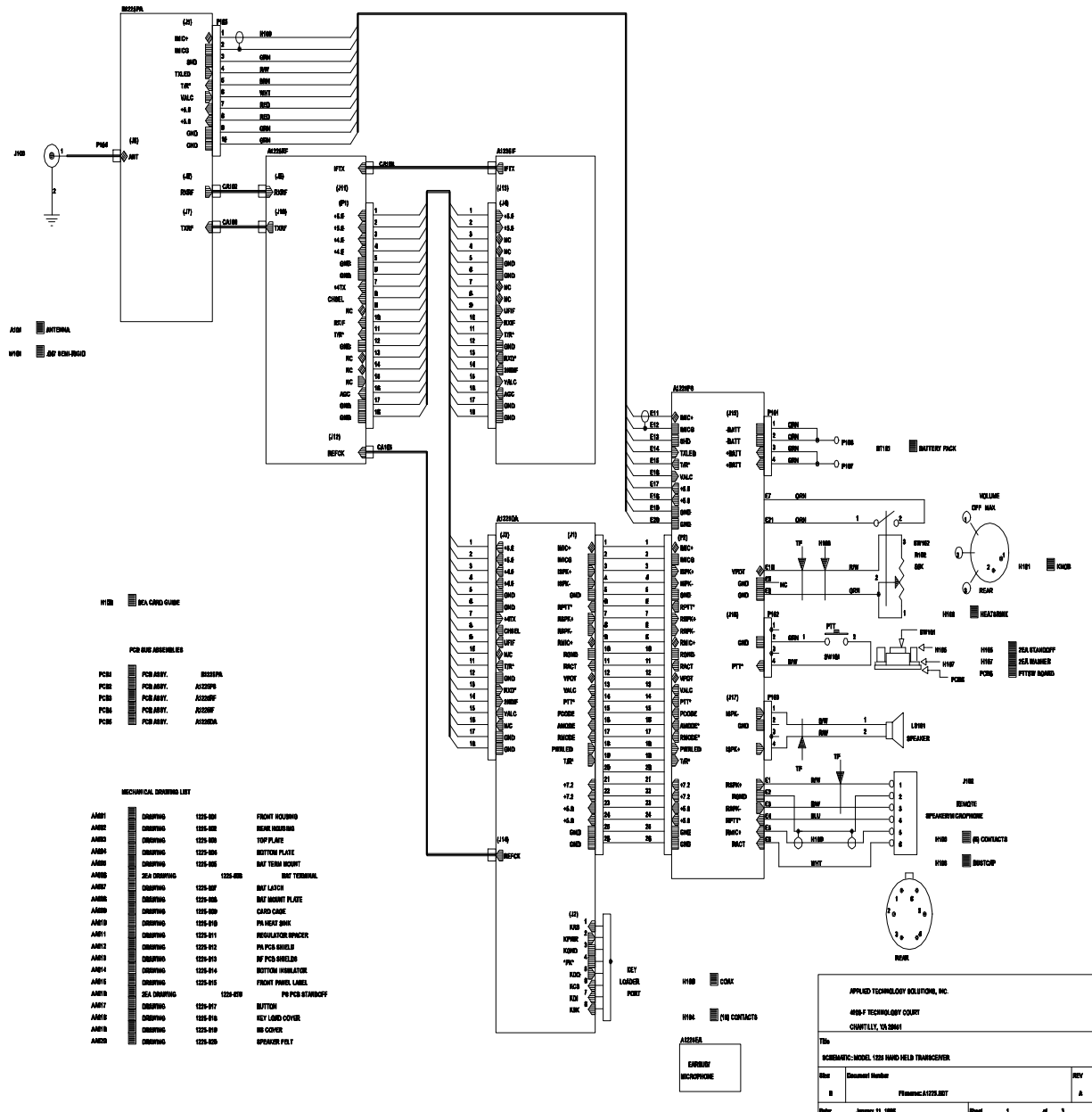
# **APPENDIX F:**

---

## **Schematics/Block Diagram**

---

THIS DOCUMENT CONTAINS INFORMATION PROPRIETARY TO APPLIED TECHNOLOGY SOLUTIONS, INC. ANY REPRODUCTION, DISCLOSURE OR USE OF THIS DOCUMENT IS EXPRESSLY PROHIBITED EXCEPT AS APPLIED TECHNOLOGY SOLUTIONS, INC. MAY OTHERWISE AGREE TO IN WRITING.



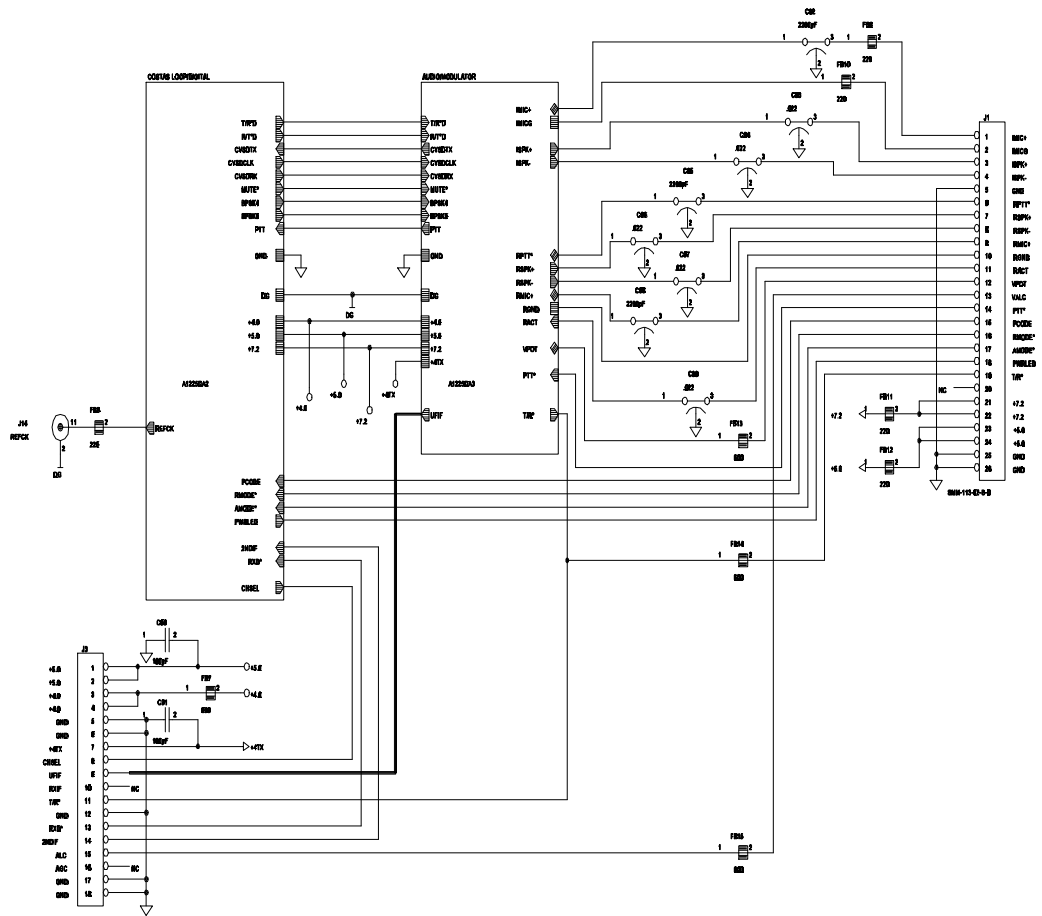
APPLIED TECHNOLOGY SOLUTIONS, INC.  
 406-F TECHNOLOGY COURT  
 CHARLOTTE, VA 28641

TITLE: SCHEMATIC MODEL 1255 HAND HELD TRANSCIVER

DATE: January 11, 1986

REV: A

THIS DOCUMENT CONTAINS INFORMATION PROPRIETARY TO APPLIED TECHNOLOGY SOLUTIONS, INC. ANY REPRODUCTION, DISCLOSURE OR USE OF THIS DOCUMENT IS EXPRESSLY PROHIBITED EXCEPT AS APPLIED TECHNOLOGY SOLUTIONS, INC. MAY OTHERWISE AGREE TO IN WRITING.



AA1 PCB A122DA

REFERENCE DESIGNATIONS USED

C1-C100	IC 41-100
D1-D70	DIY-070
R1-R2	000-002
F01-F015	T1
J1-J2, J16	TP1-TP7
JF00	UF-015
L1-L5	TA-11
Q1-Q2	

APPLIED TECHNOLOGY SOLUTIONS, INC.  
 405 F TECHNOLOGY CT.  
 CHARLTLY, VA 28641

Title: SCHEMATIC MODEL 1225 DR DESIGN

Doc: [ ] Document Number: [ ] REV: A

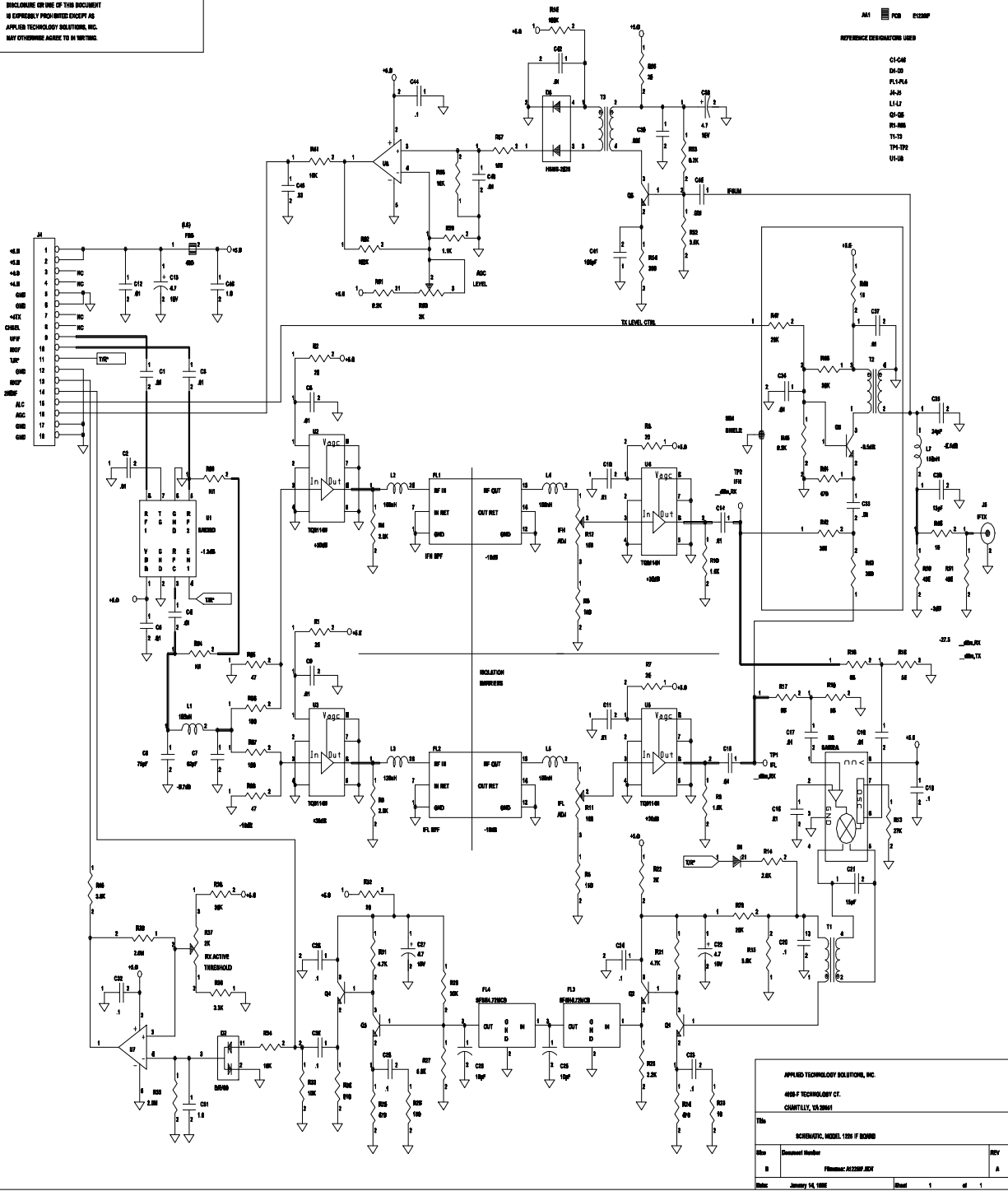
Date: January 11, 1998 Sheet 1 of 3

THIS DOCUMENT CONTAINS INFORMATION PROPRIETARY TO APPLIED TECHNOLOGY SOLUTIONS, INC. ANY REPRODUCTION, DISCLOSURE OR USE OF THIS DOCUMENT IS EXPRESSLY PROHIBITED EXCEPT AS APPLIED TECHNOLOGY SOLUTIONS, INC. MAY OTHERWISE AGREE TO IN WRITING.

Alt PCB 01220P

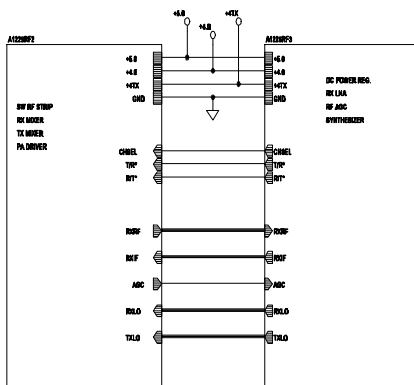
REFERENCE DESIGNATORS USED

- C1-C40
- D1-D3
- FL1-FL4
- L1-L7
- Q1-Q8
- RS-RS8
- T1-T3
- TP1-TP2
- U1-U8



APPLIED TECHNOLOGY SOLUTIONS, INC.		
4165 F TECHNOLOGY CT.		
CHANTILLY, VA 20151		
Title: SCHEMATIC, MODEL 125 F BOARD		
Rev: 0	Document Number: Phoenix A1220P REV	REV: A
Date: January 14, 1988	Sheet: 1	of: 1

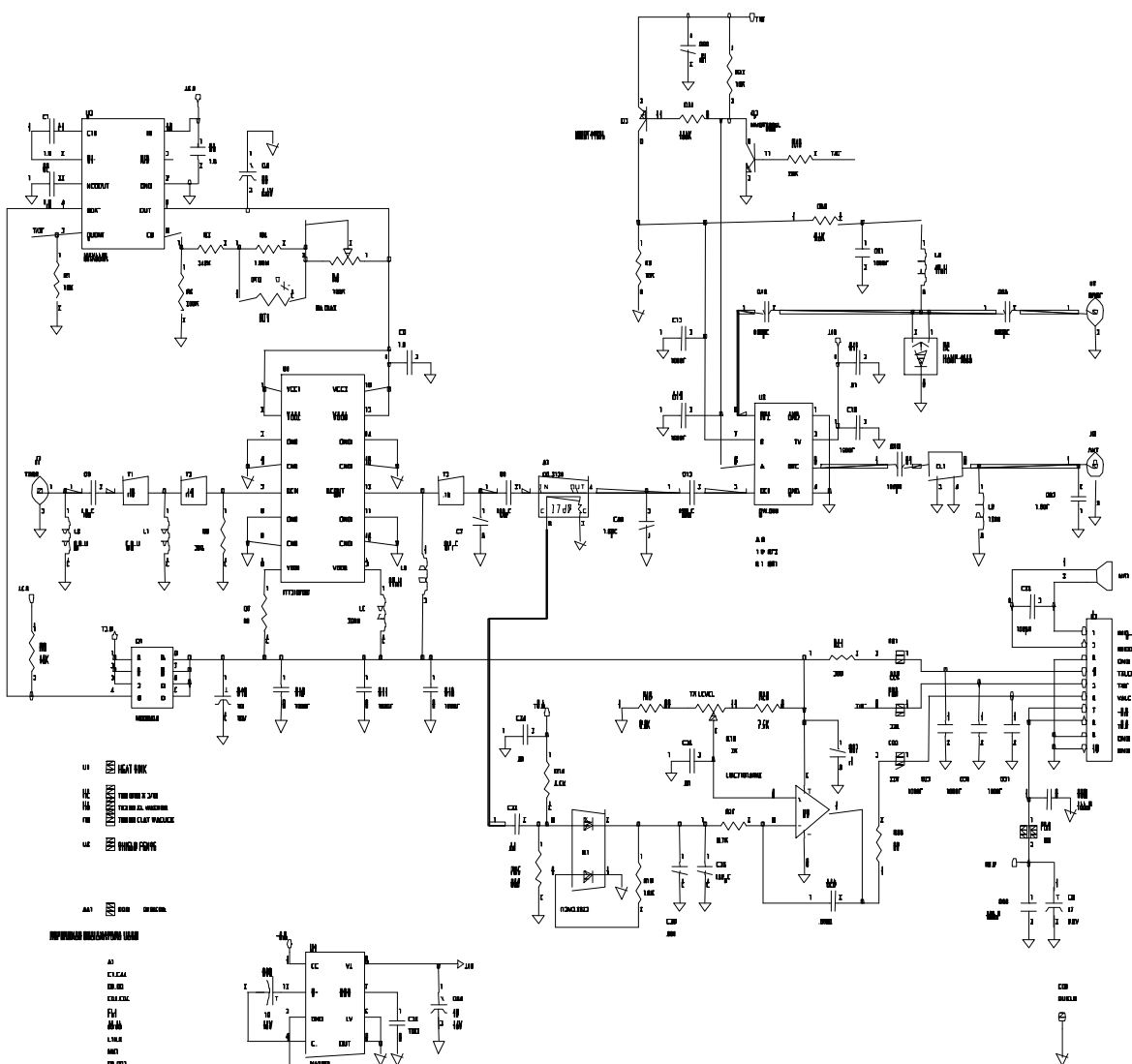
THIS DOCUMENT CONTAINS INFORMATION PROPRIETARY TO APPLIED TECHNOLOGY SOLUTIONS, INC. ANY REPRODUCTION, DISCLOSURE OR USE OF THIS DOCUMENT IS EXPRESSLY PROHIBITED EXCEPT AS APPLIED TECHNOLOGY SOLUTIONS, INC. MAY OTHERWISE AGREE TO IN WRITING.



AXI PCB ASSEMBLY

APPLIED TECHNOLOGY SOLUTIONS, INC. 4168 F TECHNOLOGY COURT CHARITTY, VA 28611			
Title			
SCHEMATIC MODEL 105 BY BOARD			
Rev	Document Number	Revision	REV
1	Platinum A1228W AXI		A
Date:	January 8, 1998	Sheet	1 of 3

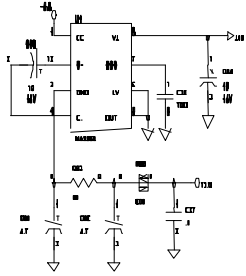
THIS DOCUMENT CONTAINS INFORMATION  
 PROPRIETARY TO APPLIED TECHNOLOGY  
 SOLUTIONS, INC. ANY REPRODUCTION,  
 DISSEMINATION OR USE OF THIS DOCUMENT  
 IS EXPRESSLY PROHIBITED UNLESS  
 AUTHORIZED BY APPLIED TECHNOLOGY SOLUTIONS, INC.  
 ANY OTHERWISE INDICATED TO BE NOTING.



- 11 HEAT SINK
- 12 PFC
- 13 EXPANSION
- 14 SHIELD POINT
- 15 0000

**IMPORTANT INFORMATION**

- AS CLEAN
- BE SURE
- USE CORRECT
- FOR ALL
- LEVEL
- AND
- PROTECT
- THE
- FROM
- WATER



NATIONAL INSTRUMENTS COMPANY  
 14000 SW 48TH AVE  
 DALLAS, TX 75241

**LEGEND**

- AMP
- 100
- 100
- 100

APPLIED TECHNOLOGY SOLUTIONS, INC.	
APPLIED TECHNOLOGY CT.	
CHAMPAIGN, VA 20317	
TITLE	
SCHEMATIC, MODEL 6228A RECEIVER	
REV	REV
1	1
DATE: JUL 14, 1998	
DRAWN: [ ]	
CHECKED: [ ]	