

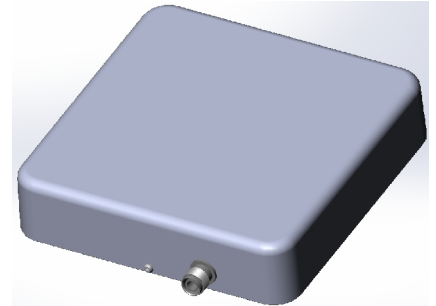


Power of RFID

Circular Polarized Antenna for RFID ANT-915-CC-05 (902-928 MHz)

Features

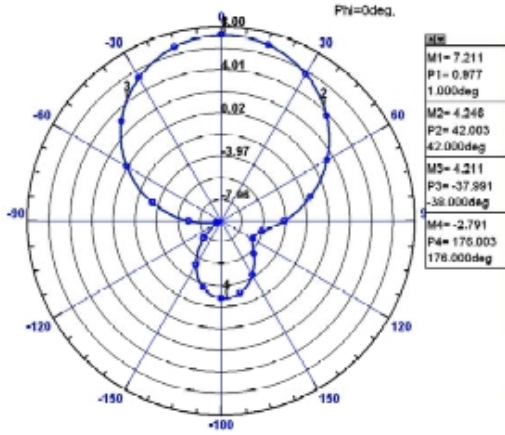
- Maximum achieved realized gain and frequency bandwidth within moderate volume
- Variation of Maximum Gain: less than $\pm 0.39\text{dB}$ in Z direction at any Phi angle within operational frequency band
- Variation of Maximum Gain: less than $\pm 0.5\text{dB}$ within frequency band 889-944MHz at fixed Phi angle
- Very low reflection of transmitter signal into receiver – return loss is more than 23dB
- Moderately Light Weight - 36 oz (980 g)



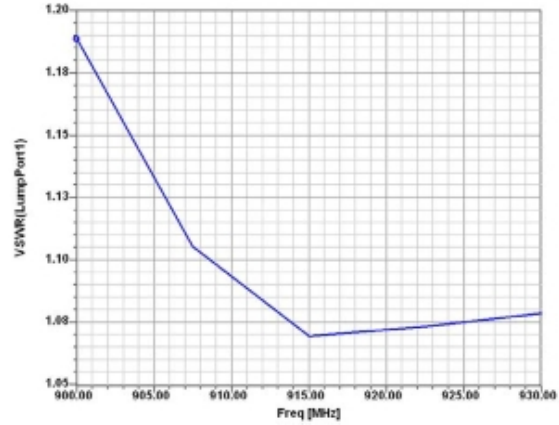
ANT-915CC-05

Specifications

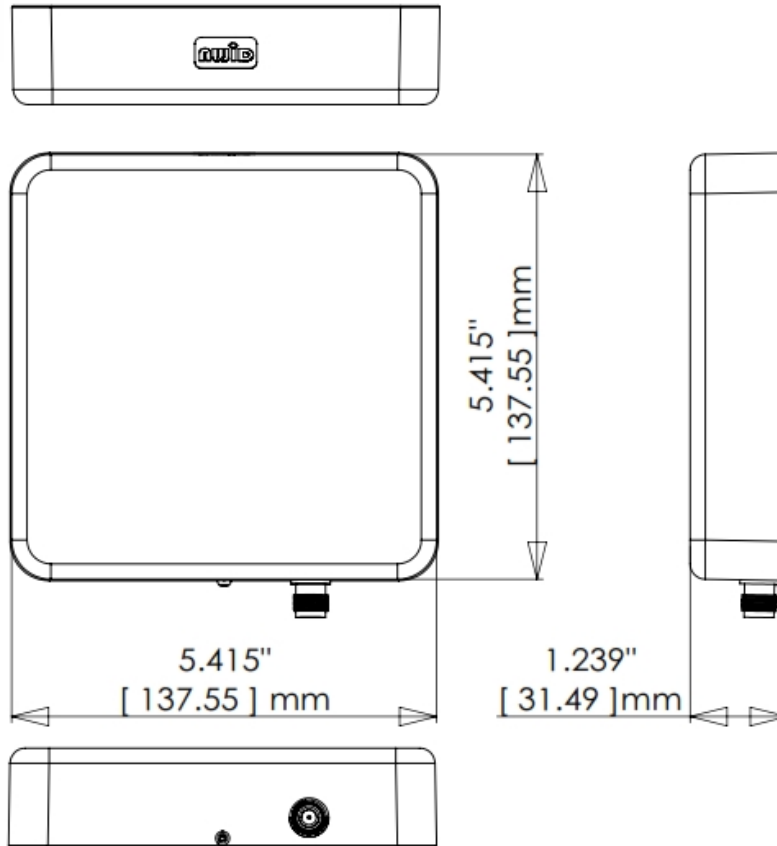
Operational Frequency Band	902 - 928 MHz
Polarization	RHCP
Peak of Linear Polarized Realized Gain	+4.70 dBi
Maximum Axial Ratio at the bore-sight direction	1.7 dB
Width of radiation pattern at -3dB from maximum	66° ($\pm 33^\circ$)
Maximum input VSWR	1.15
Maximum Input Power	5.0 Watt
Weight	36 oz (980 g)
Dimension	5.415"x5.415"x1.239"



Directivity pattern at the frequency 915 MHz.
-3dB beam width is 80 degree
Front to back ratio 10.0dB



VSWR diagram



Dimension of Antenna



18300 Sutter Blvd., Morgan Hill, CA 95037
Tel: (408) 825-1100 Fax: (408) 782-7402
<http://www.awid.com>