

# Grundfos WiFi module RA2G4WIFI Antenna information

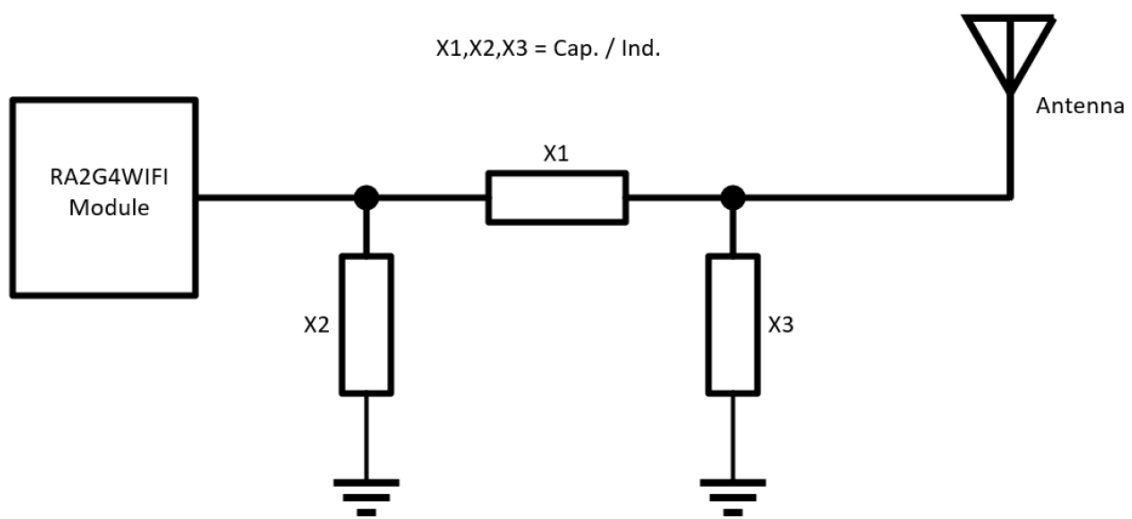
## Antenna type

The antenna used for the WiFi module is a “Printed Inverted F Antenna” or PIFA for short.

## Antenna gain

The antenna gain in maximum direction is 2.15dBi. There is a separated evidence documentation accompanied in this application.

## Antenna design



## Antenna photo

