

Antenna for Multistandard Radio Module – MSR

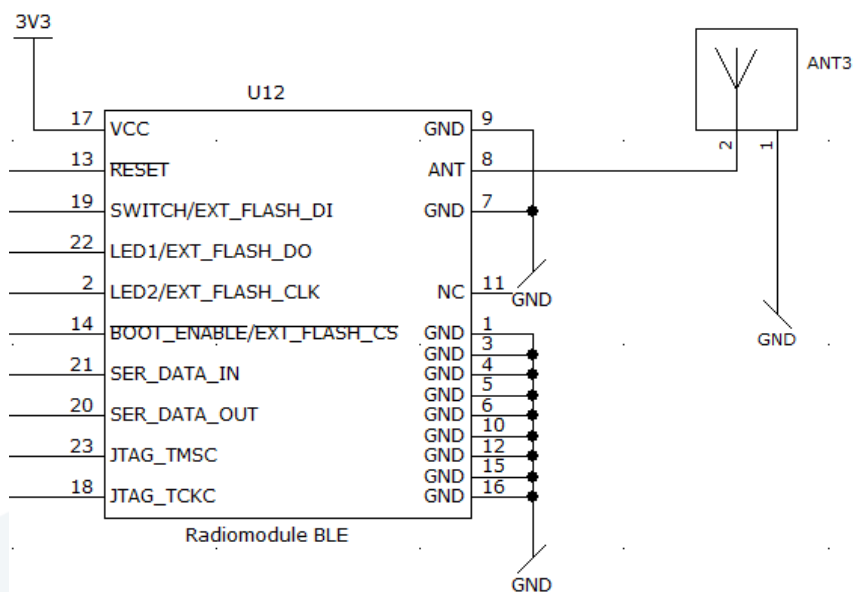
Antenna type

The antenna type used for the MSR module is a “Printed Inverted F Antenna” or PIFA for short.

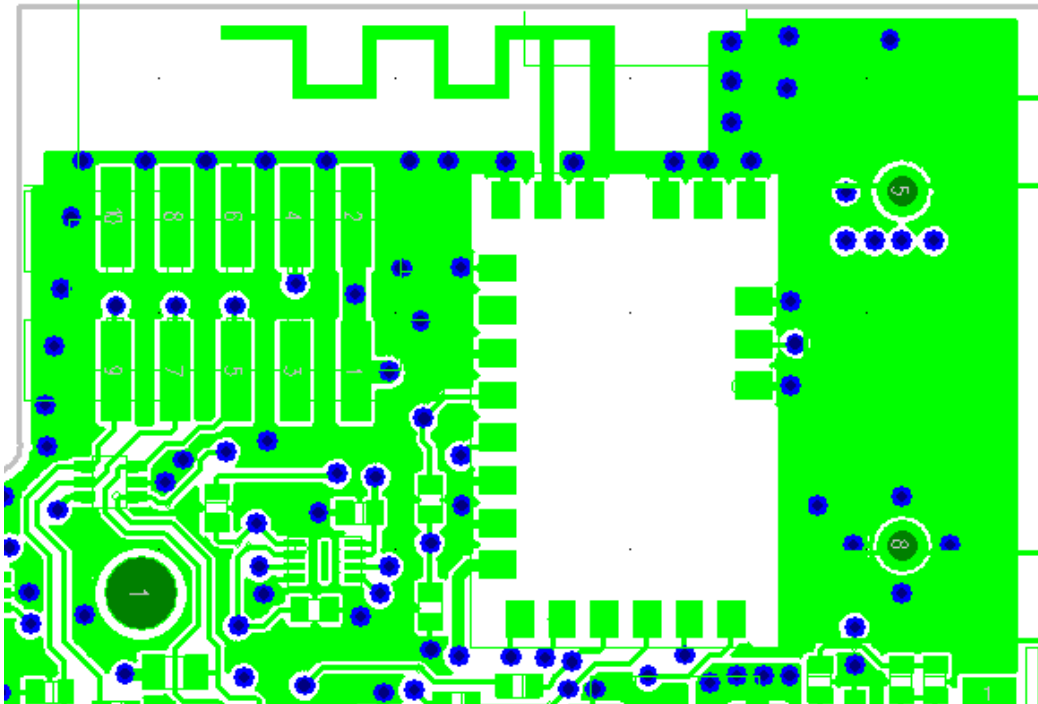
Antenna gain

Antenna gain in maximum direction is 2.15 dBi

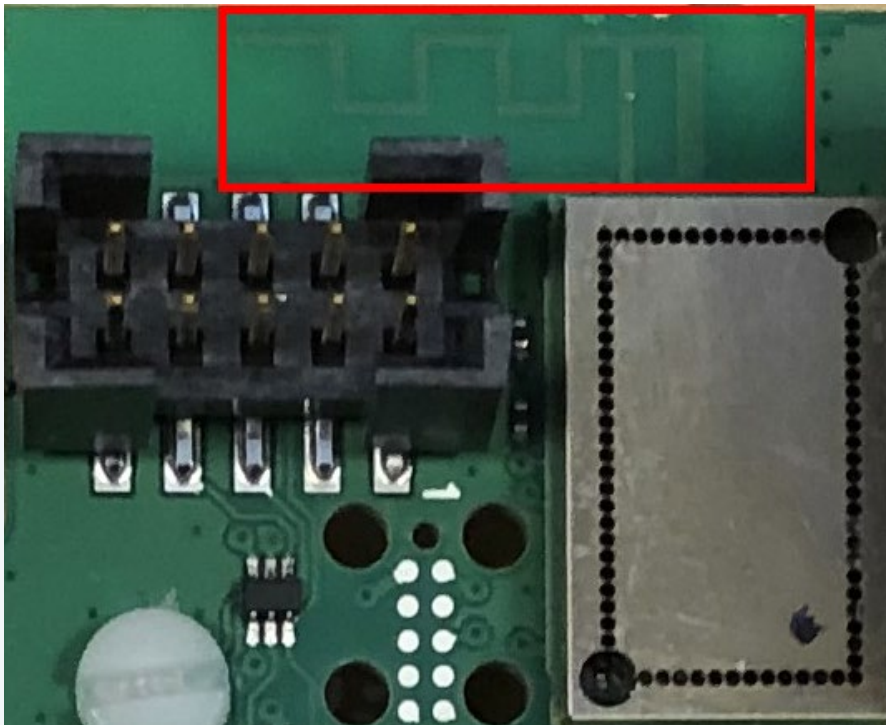
Antenna Schematic design



Antenna PCB layout



Antenna Photo



Antenna matching network

Antenna matching is not because the antenna impedance is 37 Ohm