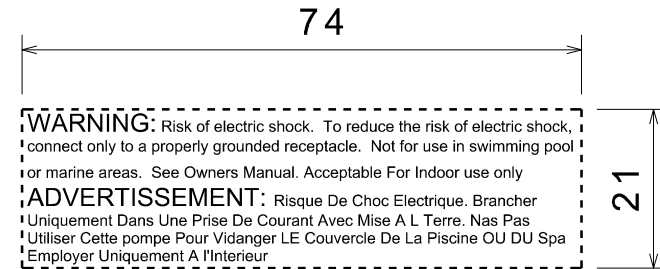
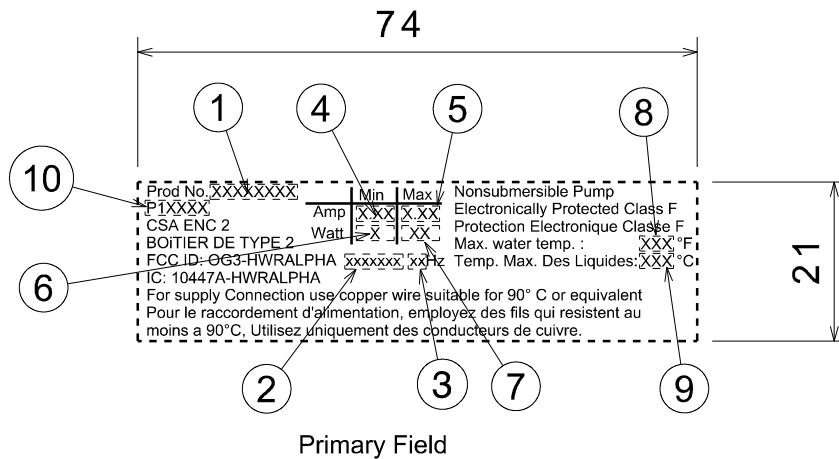
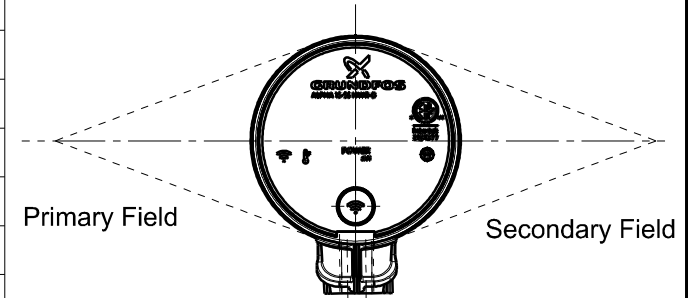


Pos.	Description	Characteristic
1	Product number	MATNR
2	Voltage [V]	COMBVOLT
3	Voltage frequency [Hz]	COMBFREQ
4	Rated current [A] (min)	MINSTROEM
5	Rated current [A] (max)	MAXSTROEM
6	Input power [W] (min)	MINEFFFOR
7	Input power [W] (max)	MAXEFFFOR
8	Maximum Liquid temperature [°F]	MEDIEMAXF
9	Maximum Liquid temperature [°C]	MEDIEMAXC
10	Code for Production site & Production code	



In connection with DXF file 99500511
 All text 1.5mm, except "WARNING"
 "WARNING" text 2.4mm

Basic Material No:		Drawing type: Part Drawing
Dimension of basic material:		
Type of basic material:		
1254348	2019-02-01 MAD	Nominal net mass: kg
1248352	2018-11-12 MAD	
1247703	2018-11-02 MAD	
ECM No.	Date - Init	Projection: ISO GPS. All dimensions are in mm

GRUNDFOS

DK-8850 BJERRINGBRO DENMARK

As this is the property of GRUNDFOS a/s it must not be passed on to any person not authorized by GRUNDFOS or be copied or otherwise utilized by anybody without GRUNDFOS' expressed written permission.

Description:
Laser Engraving Layout f ALPHA 15-55 HWR-D


Scale: 1:1	Drawer: 2000	Date: 2018-08-07
	Approver: 2413	Date: 2019-02-01
Replaced:		
Replaced by:		
Drawing No: 99500511		
Page: 1	of: 2	

Example for 99472723:

Prod No. 99472723		Min	Max	Nonsubmersible Pump	
P10519	Amp	0.02	0.65	Electronically Protected	Class F
CSA ENC 2	Watt	2	45	Protection Electronique	Classe F
BOITIER DE TYPE 2				Max. water temp. :	230 °F
FCC ID: OG3-HWRALPHA 1x 115V 60Hz				Temp. Max. Des Liquides:	110 °C
IC: 10447A-HWRALPHA					
For supply Connection use copper wire suitable for 90° C or equivalent					
Pour le raccordement d'alimentation, employez des fils qui resistent au moins a 90°C. Utilisez uniquement des conducteurs de cuivre.					

Example for 99472724:

Prod No. 99472724		Min	Max	Nonsubmersible Pump	
P10519	Amp	0.02	0.65	Electronically Protected	Class F
CSA ENC 2	Watt	2	45	Protection Electronique	Classe F
BOITIER DE TYPE 2				Max. water temp. :	230 °F
FCC ID: OG3-HWRALPHA 1x 115V 60Hz				Temp. Max. Des Liquides:	110 °C
IC: 10447A-HWRALPHA					
For supply Connection use copper wire suitable for 90° C or equivalent					
Pour le raccordement d'alimentation, employez des fils qui resistent au moins a 90°C. Utilisez uniquement des conducteurs de cuivre.					

Basic Material No:		 DK-8850 BJERRINGBRO DENMARK		Scale:	Drawer:	Date:
Dimension of basic material:				1:1	2000	2018-08-07
Type of basic material:				Replaced:	Approver:	Date:
1254348	2019-02-01 MAD	Drawing type: Part Drawing	2413	2019-02-01	Replaced by:	
1248352	2018-11-12 MAD		Description: Laser Engraving Layout f ALPHA 15-55 HWR-D Example		Drawing No: 99500511	
1247703	2018-11-02 MAD	Nominal net mass: kg	Page: 2 of 2			
ECM No.	Date - Init	Projection: ISO GPS. All dimensions are in mm	Part Version: --B		Doc. Revision: --B	