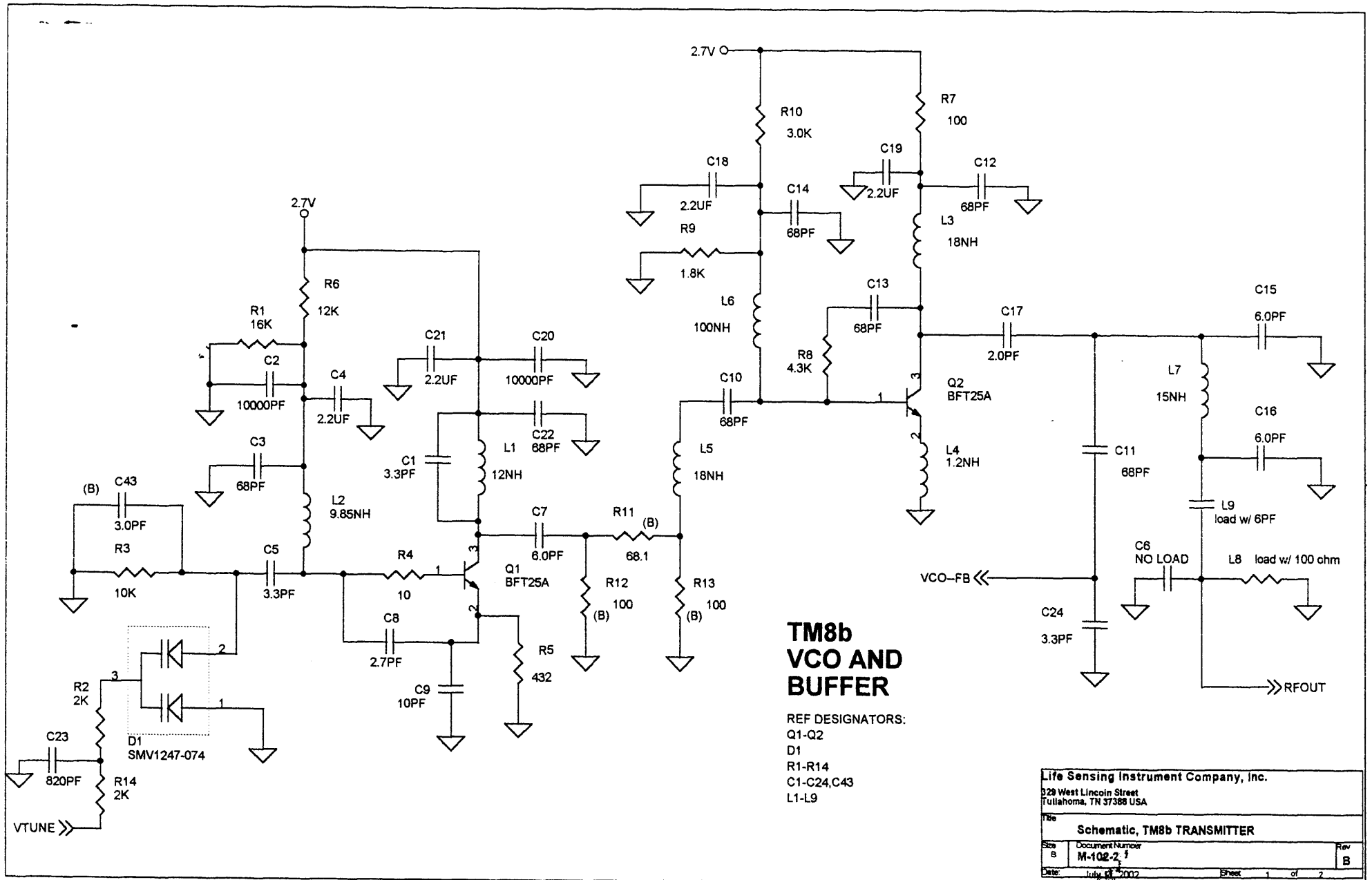


REV	DESCRIPTION	DATE
A	EVERY ISSUE TO PRODUCTION	06-11-02
B	LIFE MONITORING INSTRUMENT CO., INC. 300 WEST LINCOLN ST. TULLAHOMA, TN 37388 (USA)	
C	THIS INFORMATION IS SUBMITTED IN CONFIDENCE AND SHALL NOT BE USED FOR ANY PURPOSE OTHER THAN THAT FOR WHICH FURNISHED.	

THIS INFORMATION IS SUBMITTED IN CONFIDENCE AND SHALL NOT BE USED FOR ANY PURPOSE OTHER THAN THAT FOR WHICH FURNISHED.

Size: Document Number I-106
 Title: TM35 DUAL ECG MODULE
 Date: JULY 18, 2002 Sheet 1 of 1



Life Sensing Instrument Company, Inc.		
329 West Lincoln Street Tullahoma, TN 37388 USA		
Title		
Schematic, TM8b TRANSMITTER		
Size	Document Number	Rev
B	M-102-2	B
Date	July 8, 2002	Sheet 1 of 2

