

Antenna describe

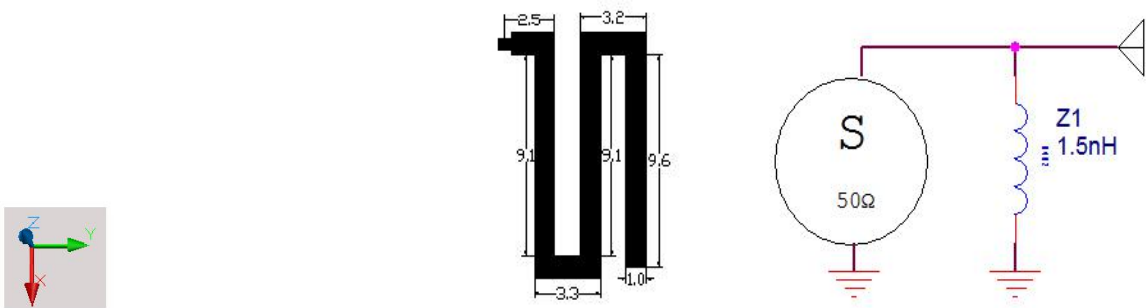
Antenna gain peak: 0dbi

1. Antenna describe:

Antenna plate	Monopole antenna
Make name/model name	Ant
Frequency range	2.4GHZ-2.5GHZ
Connector type	direct

2. External view drawing:

Picture of antenna (UNIT:MM)



3. Antenna Radiation Pattern

Frequency [MHz]	ZX plane		ZY plane		XY plane	
	Max [dB]	Average [dB]	Max [dB]	Average [dB]	Max [dB]	Average [dB]
2400	2.59	0.87	0.79	-4.07	4.96	-1.63
2450	2.47	0.63	1.42	-4.00	4.00	-1.86
2500	2.31	0.89	0.55	-3.60	4.80	-1.54

