

\*Line in red are outline and dimension of the label, black are the content to be printed.

Remark: Drawing is in 1:1 ratio.



深圳市微科易控智能系统有限公司  
Shenzhen MEK Intellisys Pte Ltd

Title:  
FW-08 UL label design

Customer:  
EasyIO Holdings

Page: 1 of 1

Prepare by:  
SK Teh

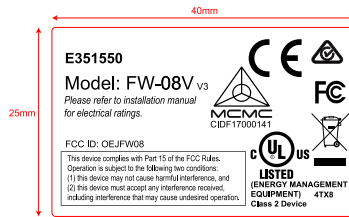
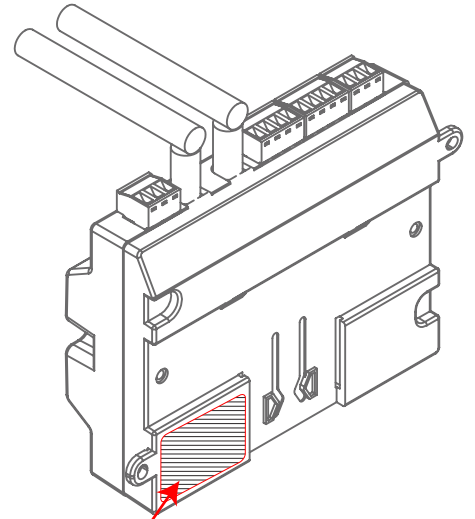
Checked by:

Approve by:

Date: 24-08-2021

Date:

Date:



\*Line in red are outline and dimension of the label, black are the content to be printed.

Remark: Drawing is in 1:1 ratio.



深圳市微科易控智能系统有限公司  
Shenzhen MEK Intellisys Pte Ltd

Title:  
FW-08V UL label design

Customer:  
EasyIO Holdings

Page: 1 of 1

Prepare by:  
SK Teh

Checked by:

Approve by:

Date: 24-08-2021

Date:

Date: