

Installation and User Instructions for S884 Readers

The S884 is a contactless smart-card reader, with Graphic LCD and keypad. The reader can be set to use Wiegand or 20mA current loop communications.

The S884 reader will read smartMAX encoded MIFARE cards and card serial numbers from most ISO 14443A smart cards which have a 4-byte UID (User Identification). The reader may be configured to read other card types by presenting a programming card to the reader during start up.



1 Mount the Backplate

Mount the backplate using countersunk headed screws adjacent to the opening edge of the door and at a convenient height (recommended height is 5' (1.5m) to top of unit).

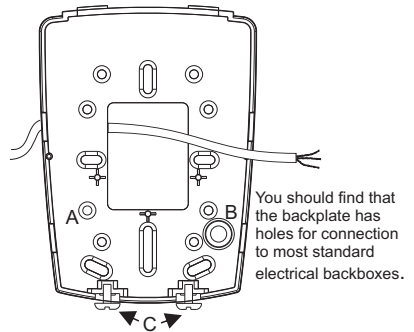
If fixing hole 'A' is used then the breakout must be removed and the screw must not protrude.

Feed the required cables through the backplate:

- The cable from the controller.
- A cable from a External Reader (Optional).
- General Purpose Input / Output cable (Optional)

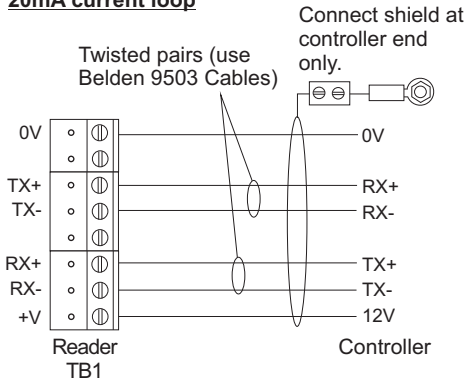
If wall tamper function is to be used then breakout 'B' must be removed and an appropriate wall screw fitted through the hole to actuate the tamper lever.

The securing screws 'C' are integral to the backplate and are unscrewed via the small holes in the enclosure so that the screw heads locate in the counterbored holes on the inside of the enclosure.

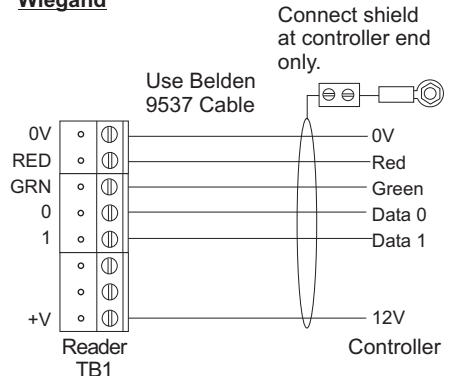


2 Reader Connections

20mA current loop



Wiegand



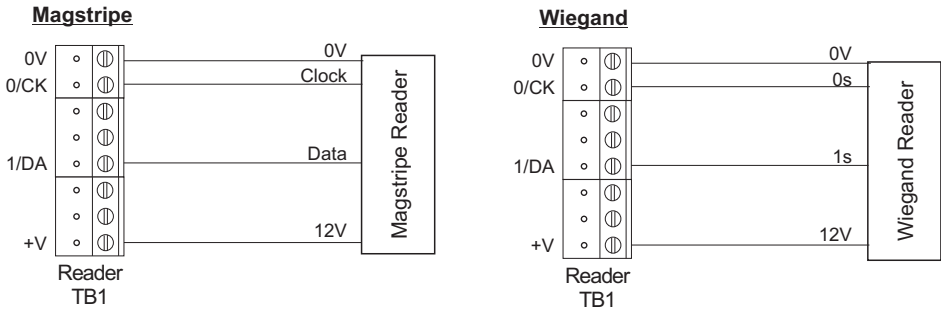
Note: Use LK2 to select the communications mode (See Step 3).

3 Reader Links

Set LK2 (COMMS) across the center and WE pin for Wiegand communications, or across the center and CL pin for 20mA current loop communications. Set LK3 (USER Keypad audio feedback) to 1 for sound on, or 0 for sound off. Set LK4 (EXT RDR) across the center and WE pin for Wiegand communications, or across the center and MAG pin for Magstripe Reader communications.

4 External Reader Connections (Optional)

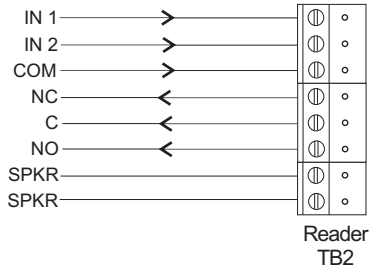
The reader is connected to the controller using the 20mA current loop scheme shown in section 2 and, in addition, the external reader is connected as shown below.



Note: Use LK4 to select the External Reader type (See Step 3).

5 General Purpose Inputs & Outputs (Optional)

I/O Connections



6 Using the Reader

Present the card face-on to the reader until you hear a "bleep". Cards can be presented in rapid succession; there is no need, for example, to wait for "UNLOCKED" to disappear before presenting another.

If the reader has been enabled for user-code mode at the controller, you can gain access by pressing the \times key, entering your card number, then pressing the \checkmark key.

LED Status Indicator

GREEN – The lock is released and you may open the door.

RED – You do not have access rights to gain entry, or the reader did not read your card properly (in this case, present it again).

YELLOW – Enter your PIN. If you make a mistake, the message INVALID PIN is momentarily displayed, followed by ENTER PIN, to prompt you to try again.

A Setup menu can be displayed by pressing the \times and \checkmark keys simultaneously while power is applied. You can use the menu to change the contrast and language used for the LCD (default English). Use the four function keys to navigate around the menu.

9600-0537. Installation and User Instructions for S884 Readers, Issue x1.0 19th April 2010. © G4S Technology, 2010.

FCC Notice: This device complies with Part 15 of the FCC Rules. Operation is subject to the following two conditions: (1) This device may not cause harmful interference, and (2) this device must accept any interference received, including interference that may cause undesired operation.

Any unauthorized modification to this device may void the authority of the user to operate it. All trademarks acknowledged.

Specifications

Input voltage: 9-14Vdc.

Input current: 200mA @ nom. 12Vdc.

Operating temperature: 14 to 131°F (-10 to 55°C)

Operating humidity: 15 to 90%, non-condensing.

Maximum read range: 4" (100mm).

Approvals: EN50133, EN302291, EN301489

