

Installation and User Instructions for S821 Readers

The S821 is a contactless smart-card reader, which uses 20mA current loop pseudo-random communications. The S821 is able to read Texas Instruments™ (ISO 15693) and Philips® MIFARE® smart cards.

For either type of card, the S821 supports the use of unencoded cards (where only the unique card serial number is read). In the case of Texas Instruments (TI) cards, an encoded card number can be read. Encoding formats supported include TI's own formats and the "smartMAX TI" format.

The reader can simultaneously support two different card types/formats (e.g. "smartMAX TI" and MIFARE). The reader is automatically configured to accept the first two card types/formats presented.



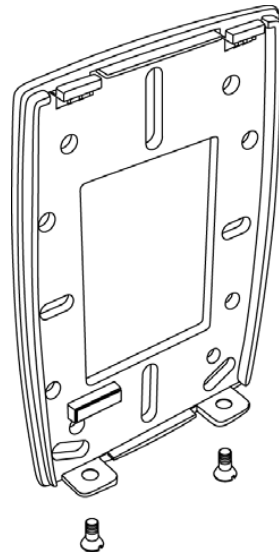
1

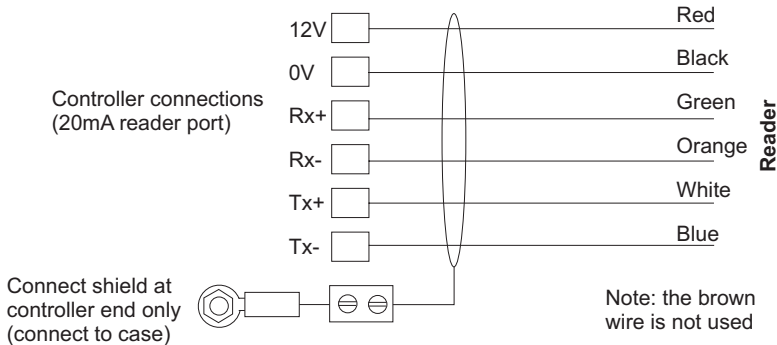
Mount the Backplate

The backplate has suitable holes for connection to most standard electrical backboxes.

To mount the backplate:

- 1) Detach the main body of the reader from the backplate by releasing the two securing screws along the bottom edge of the reader.
- 2) Mount the backplate adjacent to the opening edge of the door and at a convenient height. Feed the cable to the reader through the backplate.



2**Reader Connections****20mA Current Loop Reader Connections****3****Reader Configuration**

The reader supports the first two different card types/formats presented after power-up. For example, unencoded MIFARE and encoded T1 cards (in this example, unencoded T1 cards would not be recognized). The reader enters this configuration mode whenever power is re-applied.

4**Using the Reader**

Present the card face-on to the reader until you hear a "bleep". If the green indicator is lit, the card has been accepted and the door is unlocked. If the red indicator is lit, either the card has not been accepted, or you do not have access through the door. If the read and green indicators flash alternatively, please wait.

Note: cards can be presented in rapid succession - there is no need to wait for the green or red LED to extinguish before presenting another card.

9600-0304. Installation and User Instructions for S821 Readers, Issue 1.0x8 8th October 2003. © AMAG Technology, 2003.

FCC Notice: This device complies with Part 15 of the FCC Rules. Operation is subject to the following two conditions: (1) This device may not cause harmful interference, and (2) this device must accept any interference received, including interference that may cause undesired operation.

Any unauthorized modification to this device may void the authority of the user to operate it.

All trademarks acknowledged. Texas Instruments is a trademark of Texas Instruments Incorporated. Philips and MIFARE are registered trademarks of Philips Electronics, NV.

Specifications

Input voltage: 9-14V.

Input current: 110mA @ nominal 12Vdc supply.

Operating temperature: -13 to 158°F (-25 to 70°C).

Operating humidity: 15 to 90%, non-condensing.

Maximum read range: 3" (80mm).

Approvals: EN50133, R&TTE, IP656.