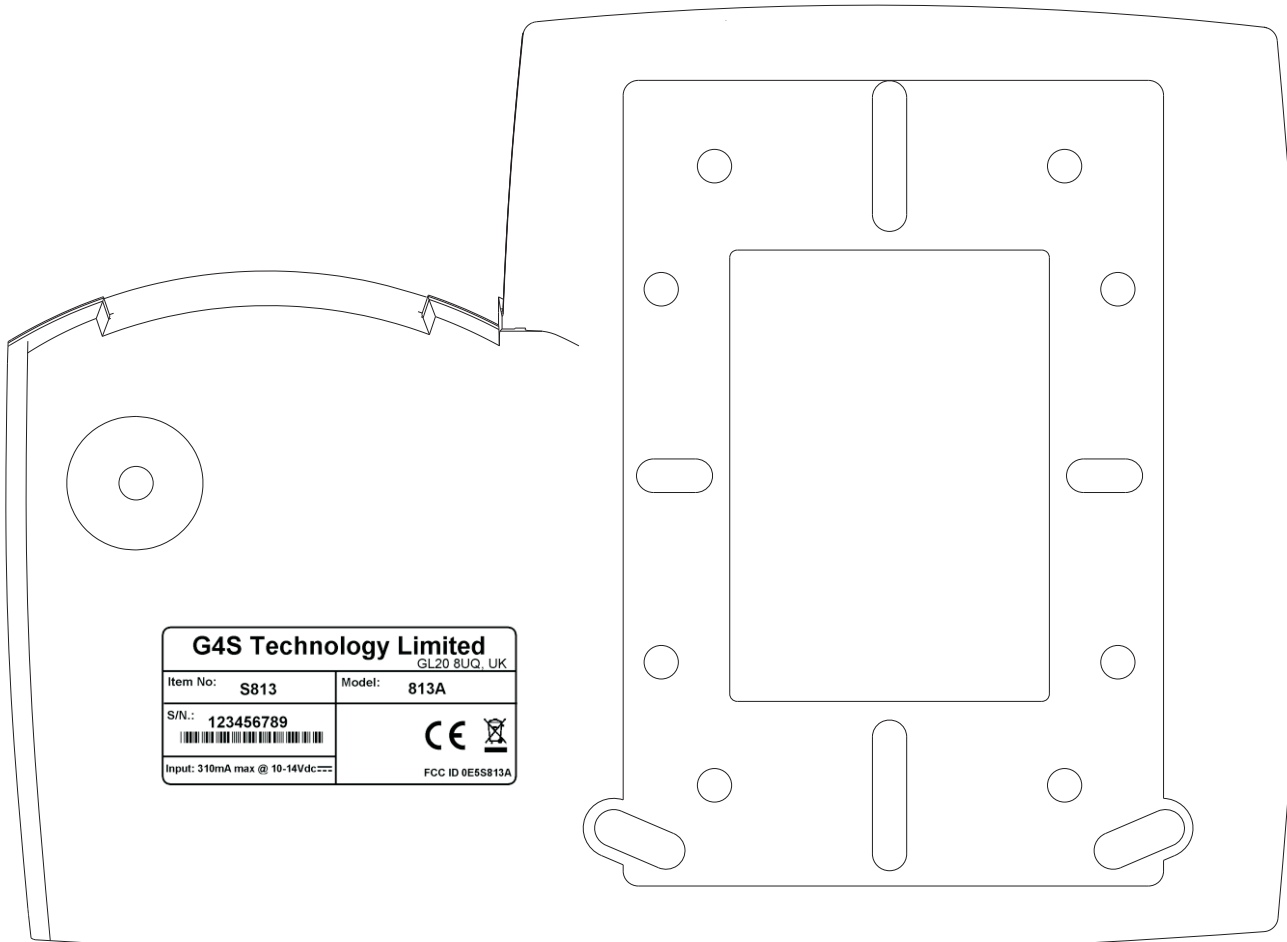


Serial Label Position

174 mm

126 mm



G4S Technology Limited

GL20 8UQ, UK

Item No: S813	Model: 813A
S/N: 123456789 	 
Input: 310mA max @ 10-14Vdc	FCC ID 0E6S813A