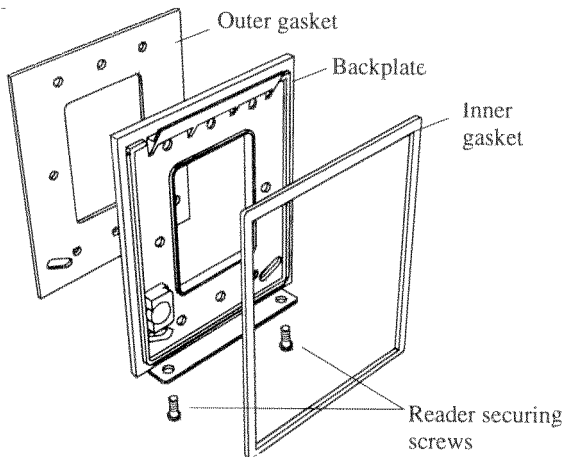


# Installation and User Instructions for S710/711/712 Readers

## 1 - Fit the Gasket Kit (optional)

The optional two-part gasket kit weatherproofs the reader for outside use. To fit the gaskets:

- a) Remove the backplate from the reader by releasing the two reader securing screws.
- b) Remove the cutouts and backing paper from the two gaskets, then stick them to the backplate as shown here:



## 2 - Fit the Heater Kit (optional)

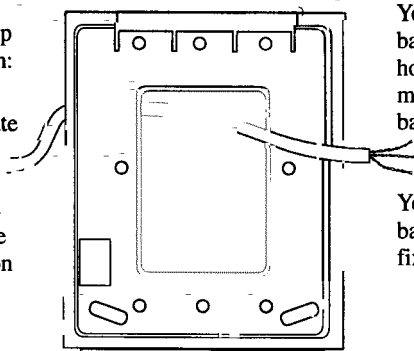
The optional heater kit maintains the reader at the correct temperature when positioned outside. With the backplate off, remove the backing paper from the two elements, then stick them to the inner sides of the reader. The heaters must be connected to a 24V AC supply (min 25VA).

## 3 - Mount the Backplate

With the backplate off (see above), up to three cables need to be fed through:

- The cable from the controller.
- The heater cable (must be a separate cable).
- A cable from a Remote Interface Module (RIM). A RIM can reduce cable lengths to door furniture. See the RIM instructions for connection details.

Mount the backplate adjacent to the opening edge of the door and at a convenient height.



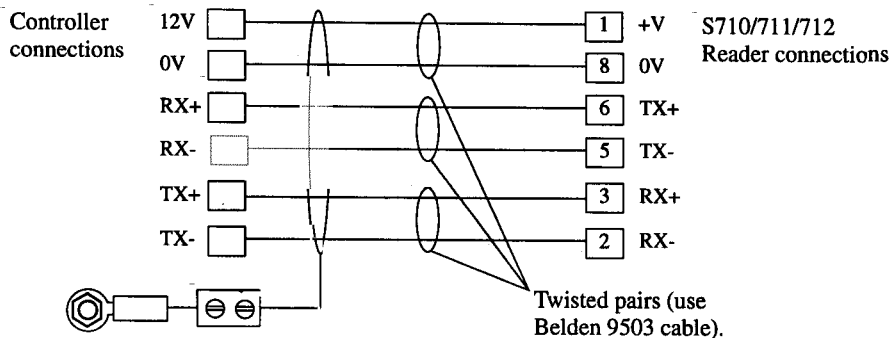
You should find that the backplate has suitable holes for connection to most standard electrical backboxes.

You can use any of the backplate holes when fixing to a wall.

## 4 - Check the Reader Link

LK2 (Test) - Ensure that this link has been removed.

## 5 - Connect the Reader to the Controller



On completion, re-secure the reader to the backplate.

## 6 - Using the Reader

Present the card face-on to the reader until you hear a "bleep". The typical read range is 10-30 mm.  
**Note:** cards can be presented in rapid succession - there is no need to wait for the UNLOCKED message to extinguish before presenting another card.

### About the Reader Messages

#### UNLOCKED

When UNLOCKED is displayed, the lock is released and you may open the door.

#### ACCESS DENIED & LOCKED

These messages are displayed if you do not have access rights to gain entry, or if the reader could not read your card (in this case, move the card away, then present it again).

#### ENTER PIN

If the ENTER PIN message is displayed, enter your PIN. If you make a mistake, the message INCORRECT PIN is momentarily displayed, followed by ENTER PIN, to prompt you to try again.



**Flashing or steady**

These auxiliary indicators can be configured to operate in conjunction with conditional commands.



### FCC Notice:

This device complies with Part 15 of the FCC Rules. Operation is subject to the following two conditions:

- (1) This device may not cause harmful interference, and
- (2) this device must accept any interference received, including interference that may cause undesired operation.

Any unauthorised modification to this device may void the authority of the user to operate it.

Copyright 2000. Group 4 Technology Ltd. 9600-0218 Installation and User Instructions for S7xx Readers. Issue 2.0 19/2/00.