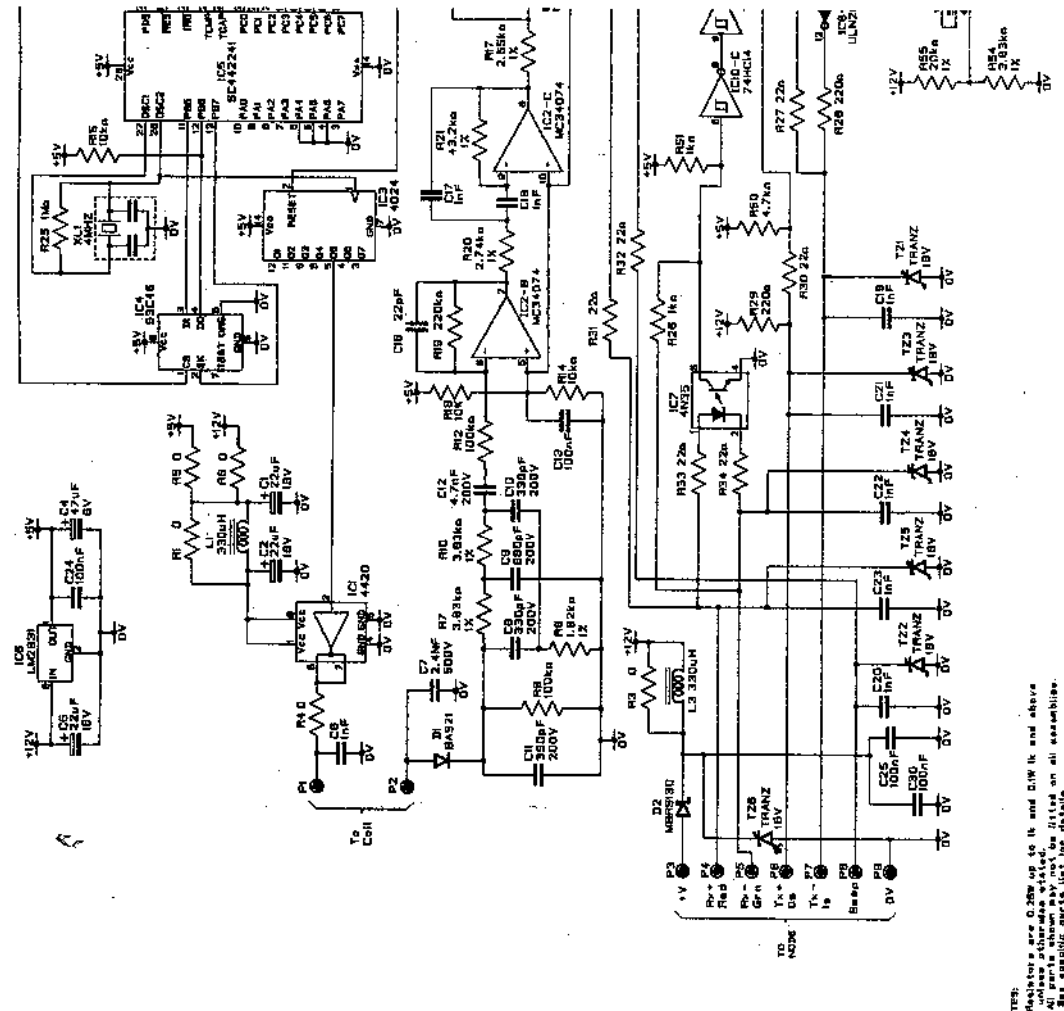
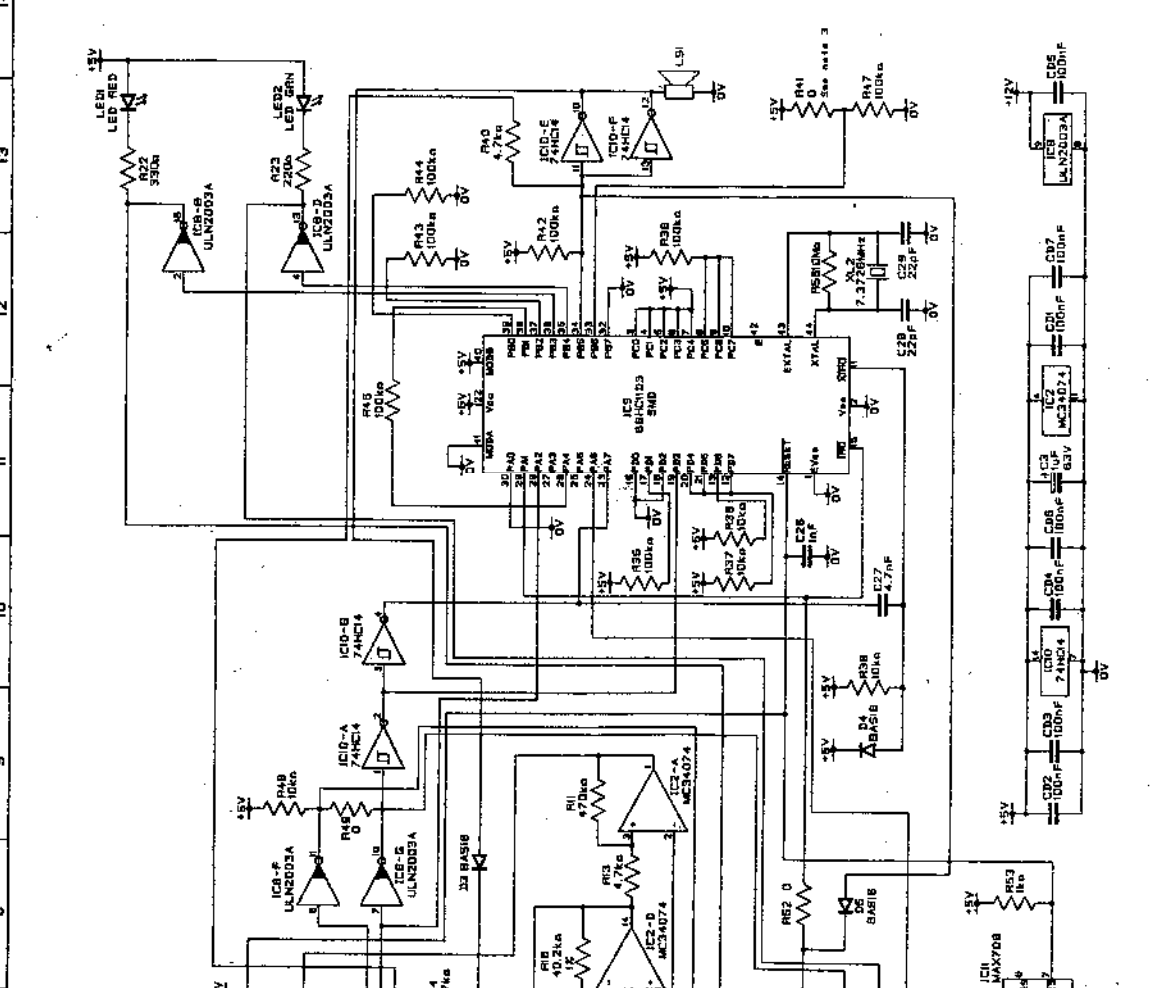


DRAWING No. 7200-5080



- NOTES:
1. Dimensions are 0.250 in to 16 and 0.125 in and above unless otherwise noted.
 2. All dimensions are to be taken on all assemblies.
 3. All parts are to be of the type and manufacturer specified.

ISSUE No.	C/N No.	DATE	INITIAL	ISSUE No.	C/N No.	DATE	INITIAL
A	5098	12-2-98	SCV				
B	6003	8-8-99	SCV				



FILE NAME: 6600DS-B.SCM

Assembly: 7000-5080/1

Steel Nos: 5600 READER

FIRST USED ON:

DRIVEN: SCV

CHECKED: SCV

APPROVED: SCV

NOTICE TO PERSONS RECEIVING THIS DRAWING: This drawing and/or technical information is confidential and its use for any purpose without direct written permission of Group 4 Technology, All rights reserved. No part of this drawing is to be reproduced, stored in a retrieval system, or transmitted in any form or by any means, electronic, mechanical, photocopying, recording, or by any information storage and retrieval system.

Group 4 Technology Ltd.
Newham Industrial Estate
GROUPO4 7200-5080