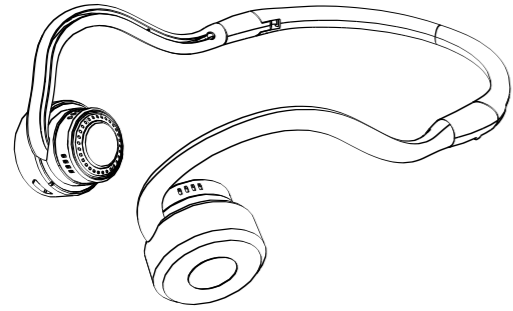


Operation instruction of bone conduction Bluetooth headset

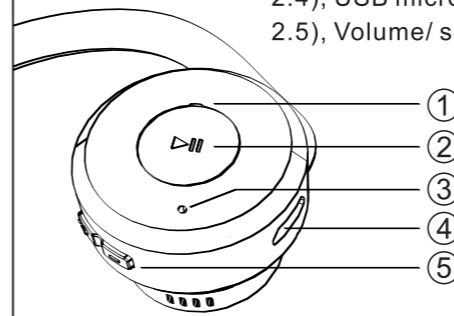


1, Characteristics introduction

The headset employs the design thoughts of bone conduction headset's principal and characteristics, hidden rear- hang microphone and open ears. Together with the low- energy- consumption version of Bluetooth chip, it can be used with smart phone, iPad, and it can receive stereo sound frequency signal. Meanwhile, you can listen to or control music wirelessly- adjust the volume and change music(last or next). The voice communication employs echo removal process to ensure clear communication. The headset allows automatic change of music and communication. Employing bone conduction method to transfer sound not only can protect hearing and eardrum, but also enables you to gain outside sound at the same time. It is suitable to be used in outdoor environment.

2, Port functions

- 2.1), Work indicating lamp
- 2.2), Play/ stop/ multi- function button
- 2.3), Microphone port
- 2.4), USB micro- charging port
- 2.5), Volume/ select



3, Operation and usage (with mobile phone as example)

3.1), Under closing statuses, press multi- function button for 3 seconds to launch it and the headset will automatically enter into matching model, with sparkling red and blue lights alternatively; under opening statuses, press the button for 3 seconds to close it.

3.2), Find the Bluetooth equipment menu on your mobile phone or the equipment with Bluetooth function and search Bluetooth equipment.

3.3), When you see the new Bluetooth equipment B2, confirm the matching. After successfully matching, the blue light of the headset will sparkle two times fast.

3.4), When you receiving a call, the blue light will sparkle fast and the headset will have prompt tone for call receiving. Press multi- function button shortly to pick the call and then press the button to end the call. Press the button for 2 seconds can reject 2 seconds.

3.5), Under music play model, the blue light will sparkle slowly, and the multi- function button is used to play and stop and music. Shortly press volume-/ last button, the volume will decrease for a level and press volume-/ last button for long time can change to last music. Shortly press volume+/ next button, the volume will decrease for a level and press volume+/ next button for long time can change to next music.

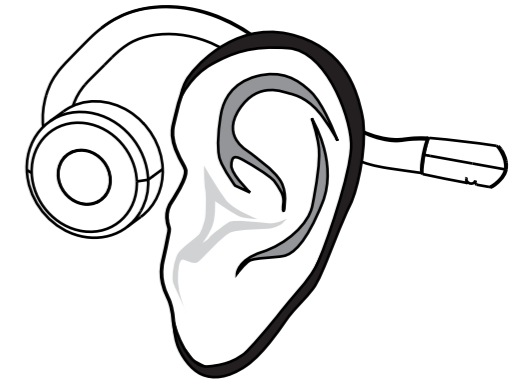
3.6), When you having call, the music will be mute and the prompt tone for call will be produced. Shortly press multi- function button to pick the call. Shortly press volume-/ last button to decrease the volume for a level and volume+/ next button to increase the volume for a level. Then, after shortly pressing multi- function button to end the call, the music play will be recovered automatically.

3.7), When you having other calls when having communication, shortly press multi- function button for 1 time to end the existing call and pick other calls; press the button for 2 seconds to reject other calls; and press 2 times multi- function button continually can keep the existing call and pick other calls at the same time- press 2 times multi- function button continually to change communication.

4, Matters needing attention

4.1), For first time usage (or after long- time nonuse), please use the auxiliary USB- USB micro- charging cable to charge the headset for 2 hours. The red light will light when charging and the blue light will light after finishing charging. 2 hours charging is required for normal usage (notices: do not use the headset when charging).

4.2), Hang the headset back your neck and the bone conduction loudspeaker shall cling to the jawbone before ear, instead of out the earhole on the ear.



4.3), Under standby statuses, shortly press play/ stop button for 2 times, the headset will automatically call the number of your last call. Under calling statuses, press the button for 2 seconds, the call will be canceled.

4.4), For two communication statuses- one current communication and one kept communication, shortly press the multi- function button to end current communication and pick the kept communication.

4.5), If your mobile phone cannot find the Bluetooth headset B2 in 1 minute, please place the headset close to the mobile phone, and re- launch the headset and re- search.

4.6), The Bluetooth specification only works under equipment supporting (mobile phone/ MP3). See usage menu of the equipment for details.

4.7), If it is prompted to input password when matching, please input 0000.

4.8), It is suggested to charge the headset a time a month for long term nonuse to keep the service life of the battery.

4.9), When the equipment connection distance exceeds the effective distance of Bluetooth (10m) the connection between Bluetooth headset and equipment will be cut. After then, once their distance be in effective distance, the connection will be set automatically. If the cut time of the connection between headset and equipment is longer (more than 5 minutes), the headset will close automatically.

5, Specifications and parameters

Battery type: 110mAh polymer
 Bluetooth version: 4.0
 Play time: about 3 hours
 Charging time: about 2 hours
 Horn type: bone conduction loudspeaker
 Frequency range: 100Hz- 18KHz
 Sound pressure level: 88dB
 Microphone: -42dB
 Bare headset weight: 40g
 USB cable: 40cm

6, Packing accessories

Headset-----1PCS
 USB cable-----1PCS
 Instruction book-----1PCS
 Waterproof Packing Storage Bag---1PCS

NOTE: This equipment has been tested and found to comply with the limits for a Class B digital device, pursuant to part 15 of the FCC Rules. These limits are designed to provide reasonable protection against harmful interference in a residential installation. This equipment generates uses and can radiate radio frequency energy and, if not installed and used in accordance with the instructions, may cause harmful interference to radio communications. However, there is no guarantee that interference will not occur in a particular installation. If this equipment does cause harmful interference to radio or television reception, which can be determined by turning the equipment off and on, the user is encouraged to try to correct the interference by one or more of the following measures:

- Reorient or relocate the receiving antenna.
- Increase the separation between the equipment and receiver.
- Connect the equipment into an outlet on a circuit different from that to which the receiver is connected.
- Consult the dealer or an experienced radio/TV technician for help

Changes or modifications not expressly approved by the party responsible for compliance could void the user's authority to operate the equipment. This device complies with Part 15 of the FCC Rules. Operation is subject to the following two conditions:

- (1) this device may not cause harmful interference, and
- (2) this device must accept any interference received, including interference that may cause undesired operation.