



Excellence in Compliance Testing

---

## **Certification Exhibit**

**FCC ID: ODB-CORCO300**

**FCC Rule Part: 15.247**

**ACS Project: 12-2167**

Manufacturer: ValidFill, LLC  
Model: HD006SA008

## **Internal Photos**



Figure 1: RFID Reader – Top View with Shielding

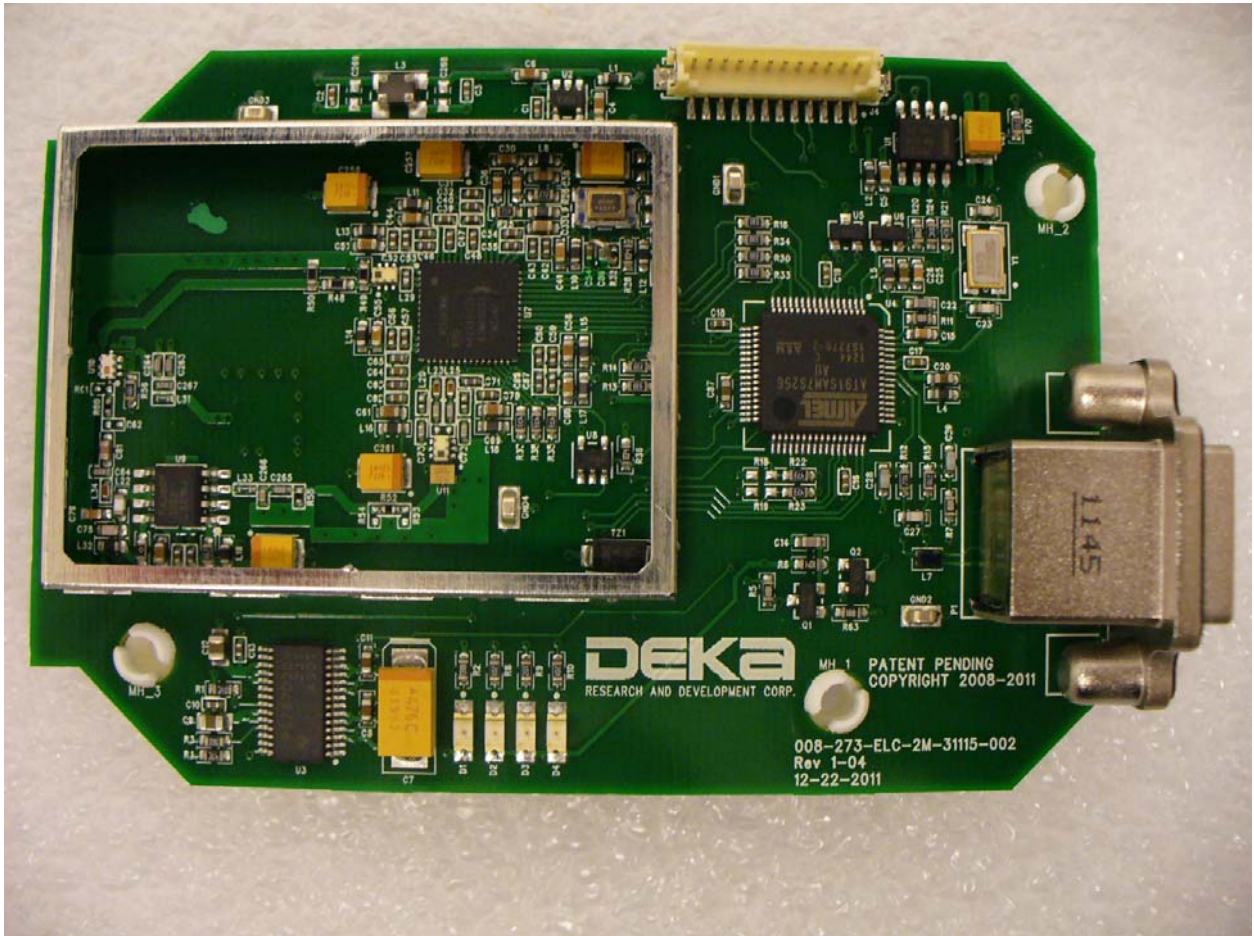


Figure 2: RFID Reader – Top View without Shielding

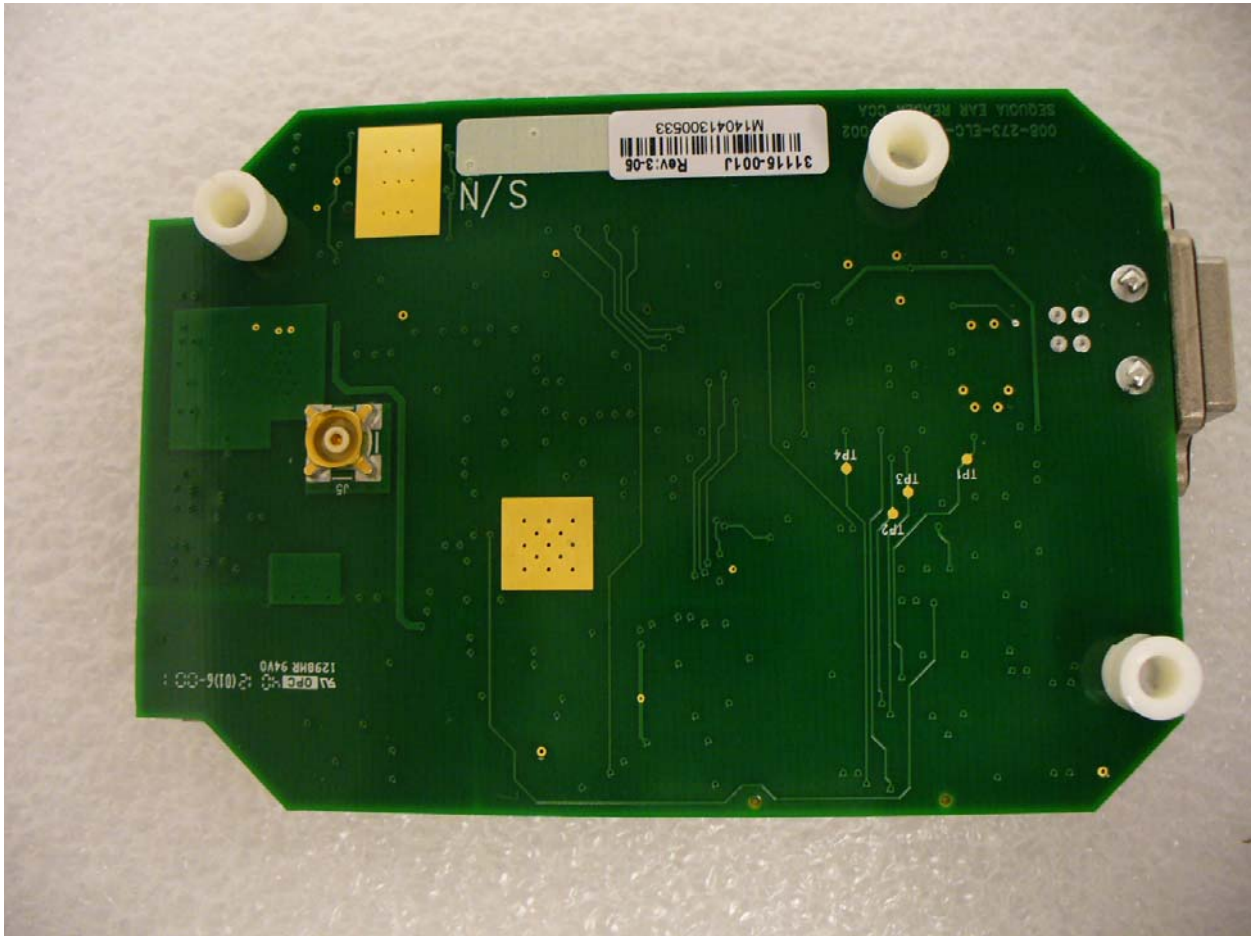


Figure 3: RFID Reader - Bottom View

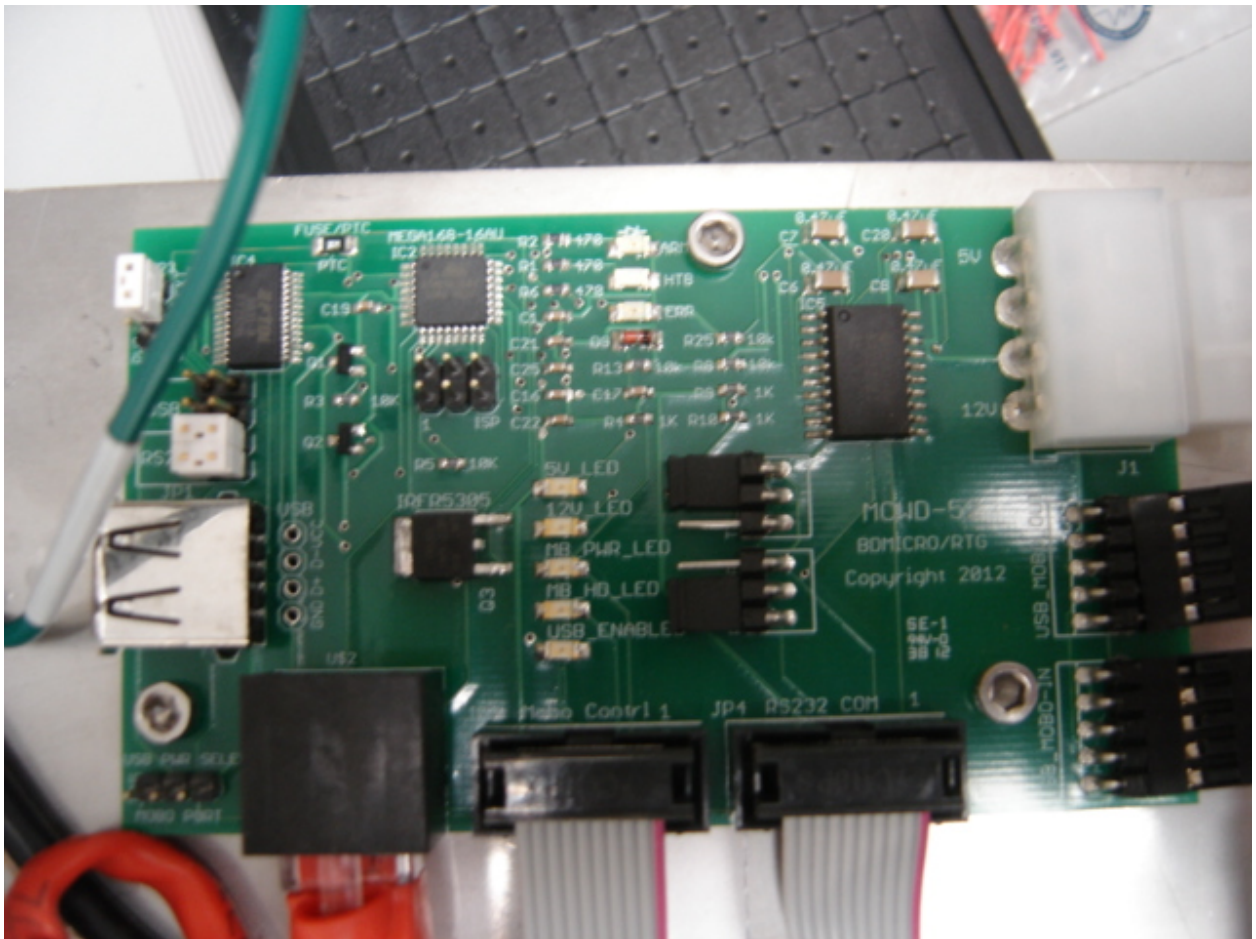


Figure 4: Watchdog – Top View

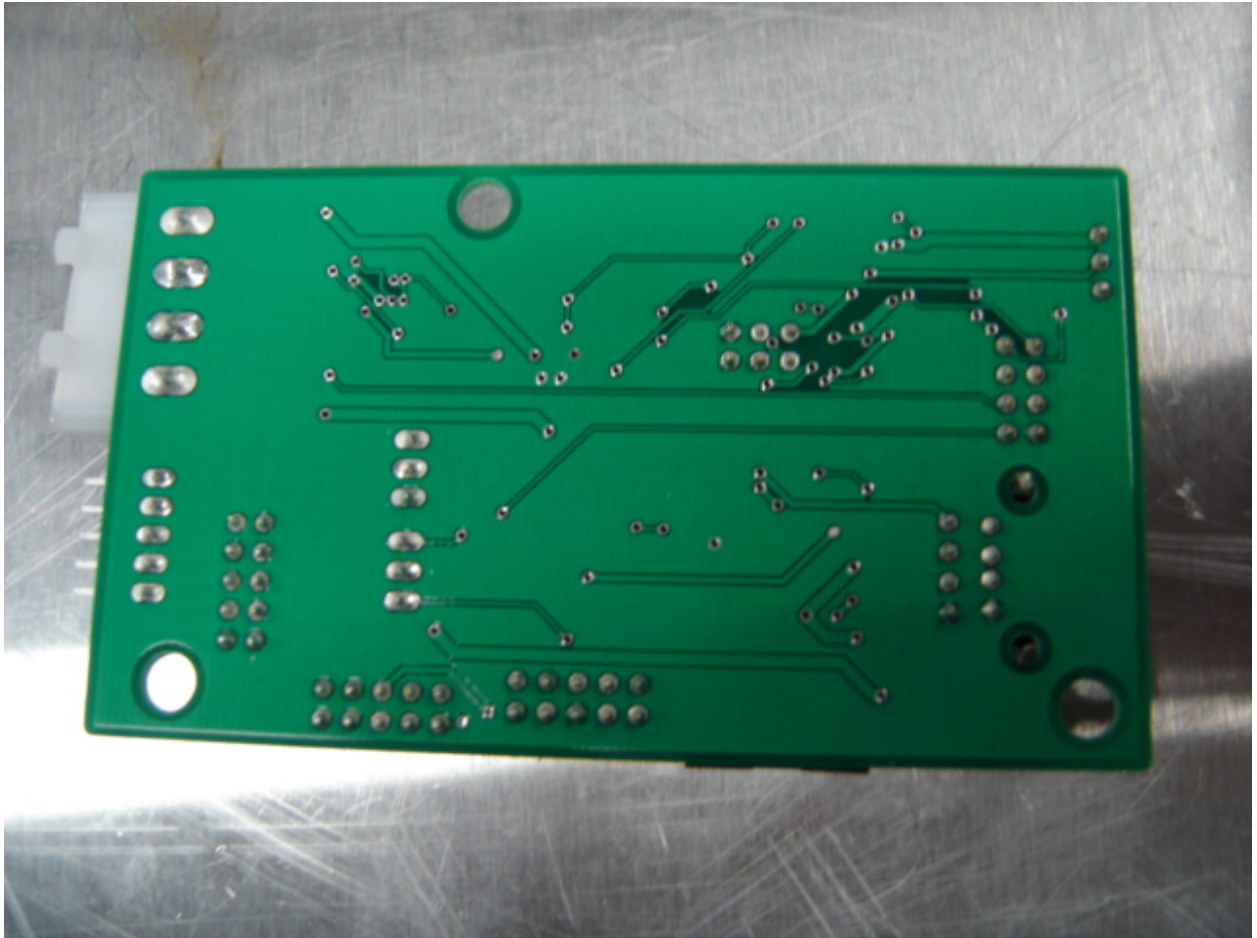


Figure 5: Watchdog – Bottom View



Figure 6: Black Box – I/O Ports

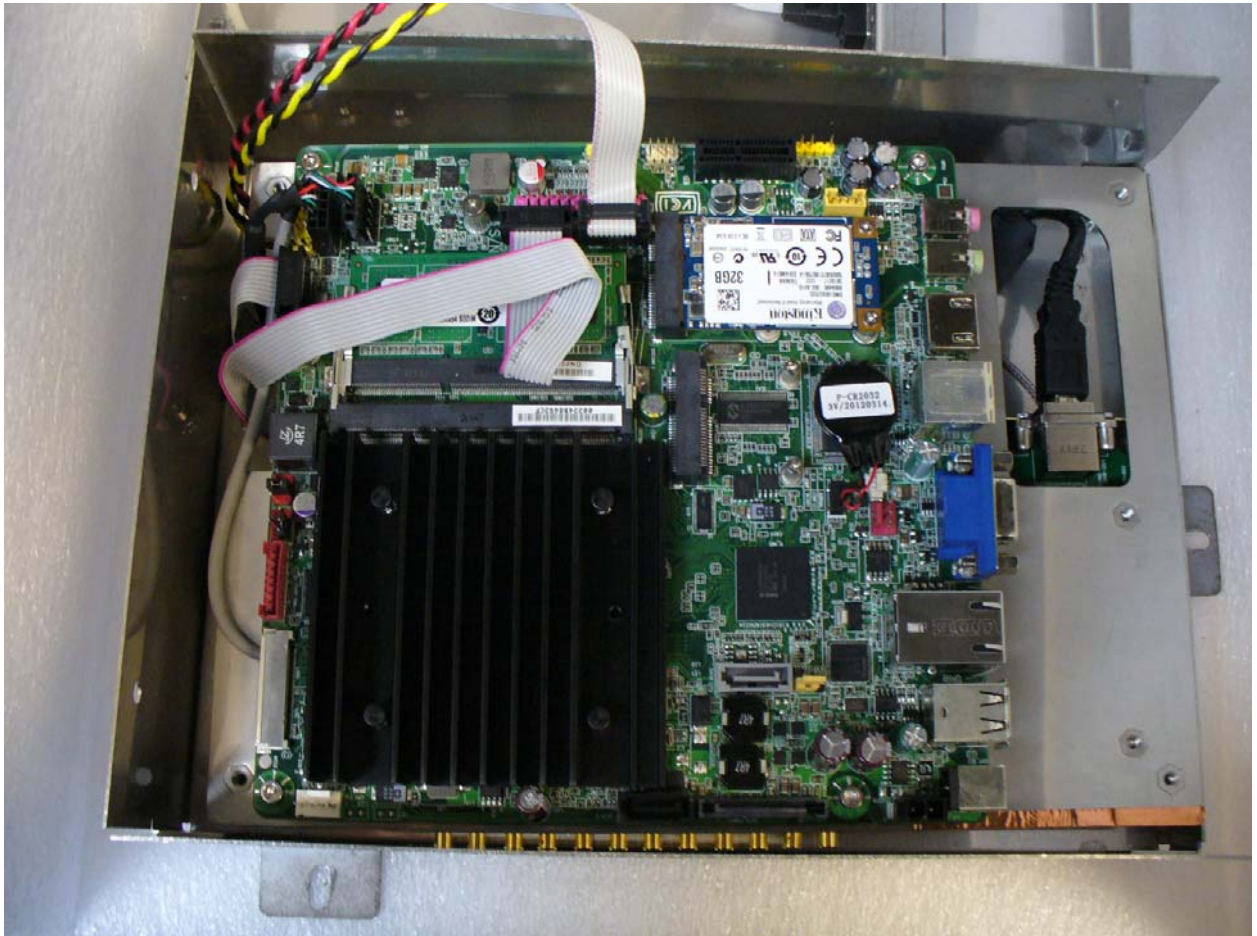


Figure 7: Black Box – Top Assembled View 1





Figure 8: Black Box – Top Assembled View 2

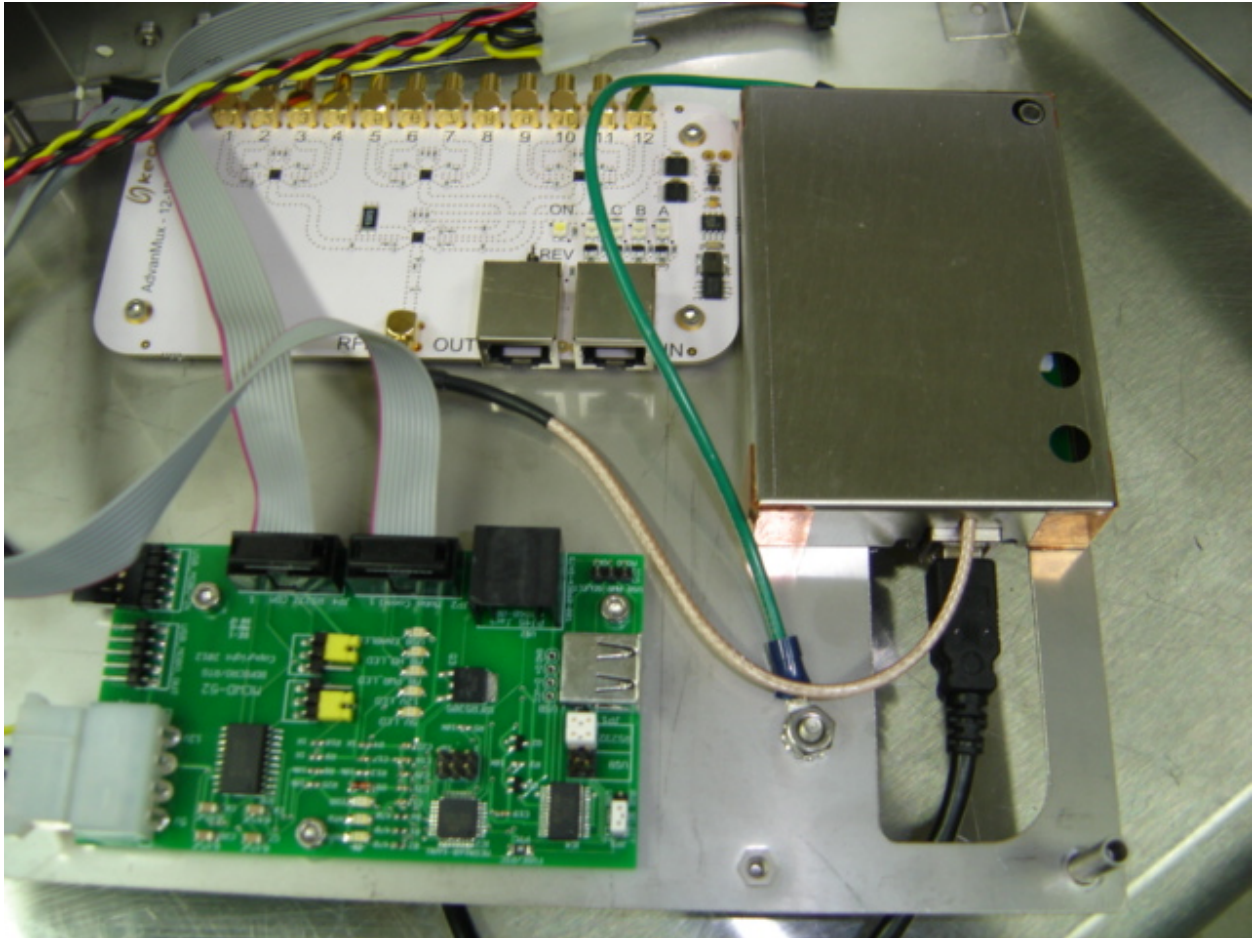


Figure 9: Black Box – Bottom Assembled View 1 (Reader with Shielding)

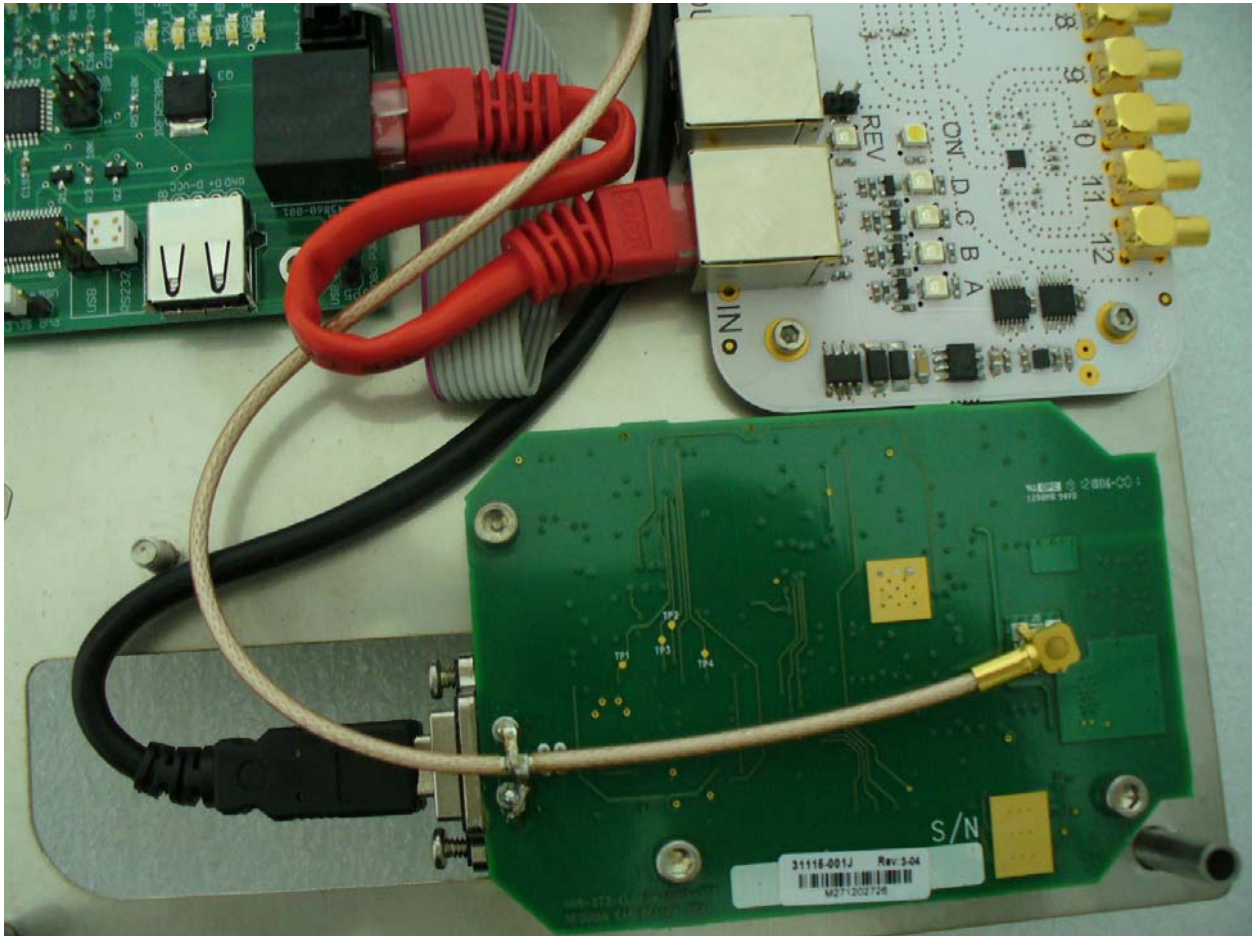


Figure 10: Bottom Assembled View 2 (Reader without Shielding)

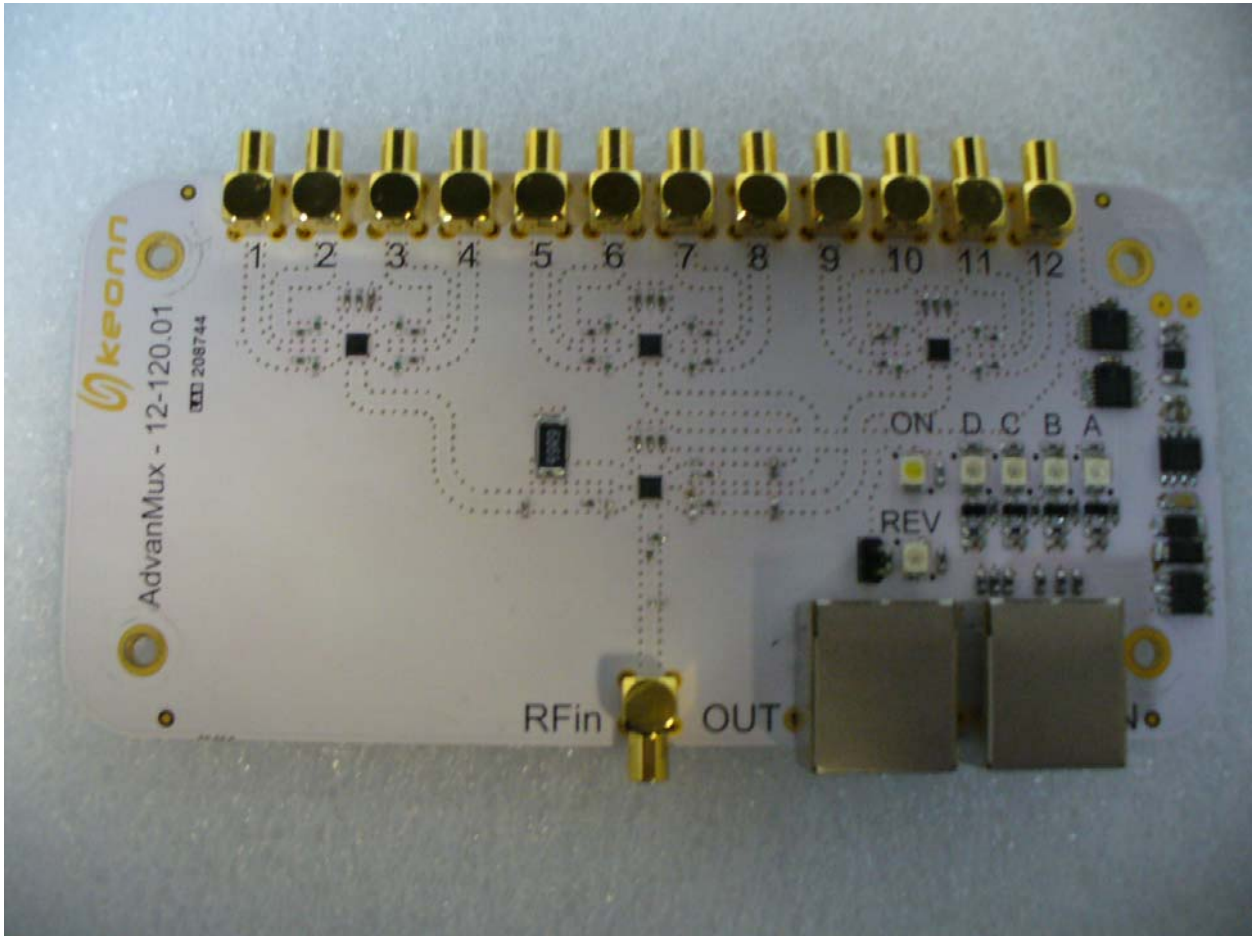


Figure 11: 12-Port Mux - Top View

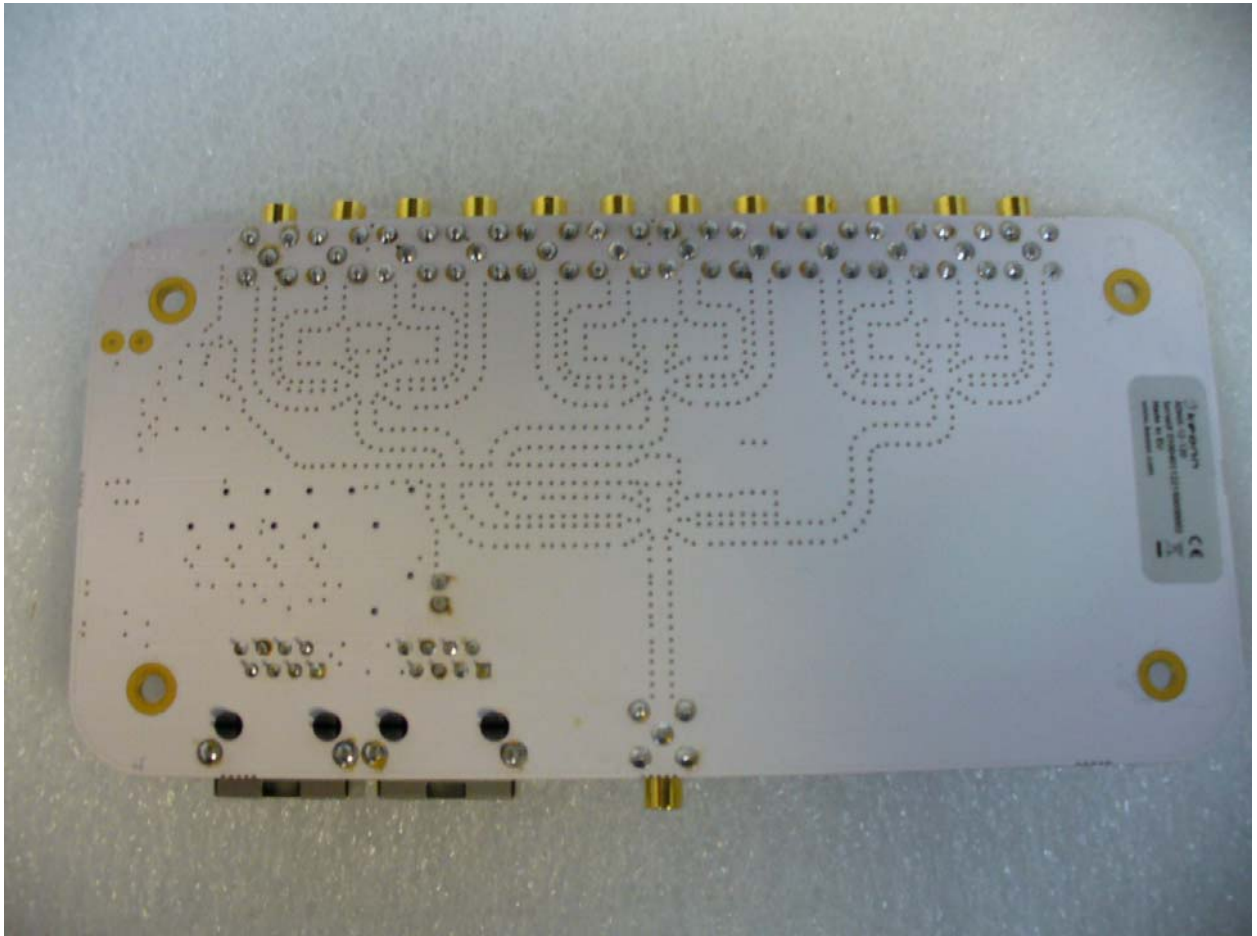


Figure 12: 12 -Port Mux - Bottom View

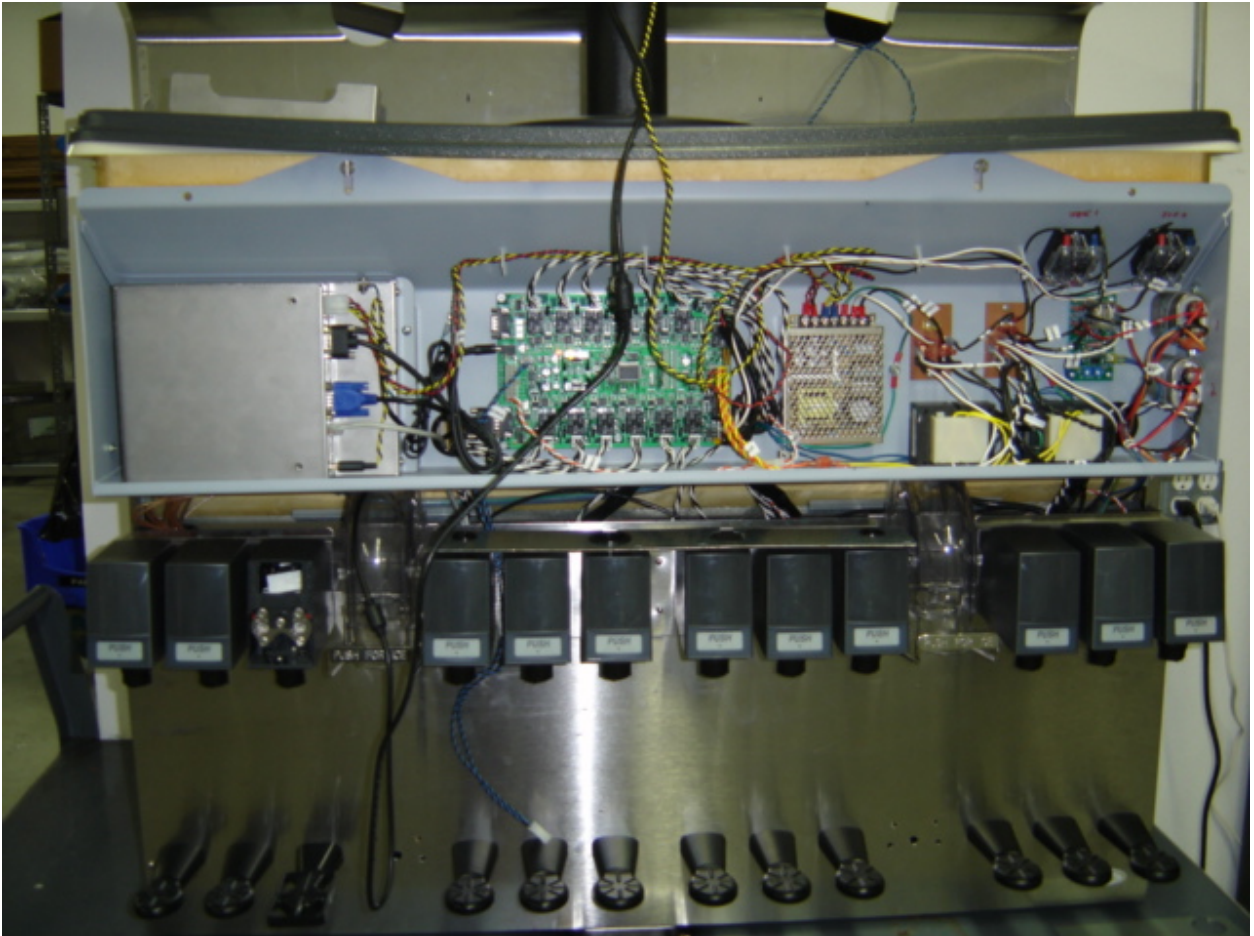


Figure 13: HD006SA008 – Internal View