

MASTER CARTON

CUSTOM®

Carton Num: 05
Qty: 05

Model: RT110
RUGGED TABLET T-RANGER LTE A11 US
FCC ID: OAH-6061023

FCC

P/N: 93DHN015900L33
UPC: 8 26635 71858 1

S/N: 0000000000000000

S/N: 0000000000000000

S/N: 0000000000000000

S/N: 0000000000000000

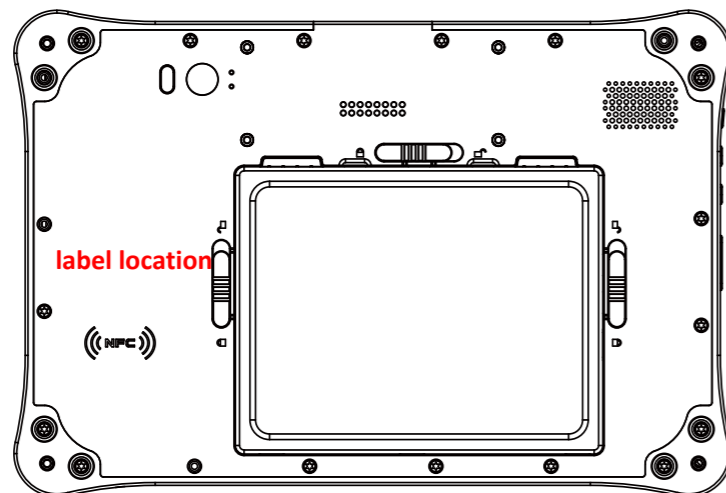
S/N: 0000000000000000

Barcode type UPC-A
h= 11 mm

135

Example of serial

104



GIFT BOX

CUSTOM®

Model: RT110
RUGGED TABLET T-RANGER LTE A11 US
FCC ID: OAH-6061023
MADE IN TAIWAN

UPC: 8 26635 71858 1

P/N: 93DHN015900L33

S/N: 0000000000000000

IMEI1: 1111111111111111

IMEI2: 2222222222222222

FCC

Barcode type UPC-A
h= 9 mm

60

Example of serial

Barcode type UPC-A
h= 9 mm

80

DEVICE

CUSTOM®

Model: RT110
RUGGED TABLET T-RANGER LTE A11 US
FCC ID: OAH-6061023
INPUT 5V --- 2A or 9V --- 2A
MADE IN TAIWAN

UPC: 8 26635 71858 1

P/N: 93DHN015900L33

S/N: 0000000000000000

IMEI1: 1111111111111111

IMEI2: 2222222222222222

FCC

Barcode type UPC-A
h= 9 mm

45

Example of serial

104

| | | | |
|------|----------|-------------------------|-------------|
| 1.05 | PJ-20286 | Borchini: Model name | 19.09.2023 |
| 1.00 | PJ-16733 | Borchini: Fist issue | 09.03.2023 |
| REV. | No. MOD. | MODIFICATION / MODIFICA | DATE / DATA |

| | | | | | |
|--------------------------------------------------------------------------------------------------------------------------------------------------------------------------|-----------------------------------------------------------------------------------------------------------------------------------------------------------------------------------------------------------------------------------------------------------------------------------------------------------------------------------------------------------------------------------------------------------------------------------------------------------------------------------------------|---------------|--------------------------------------------------------|--|--|
| Cod. | LB1000000140 | Des. | Set of labels for T-RANGER | | |
| CUSTOM® | DATE / DATA | SCALE / SCALA | TOLLERANCES / TOLLERANZE | | |
| | 09.03.2023 | 1:1 | UNI-EN 22768/2-mk | | |
| CUSTOM S.p.A. World Headquarters Via Berettine, 2 - 43010 Fontevivo, Parma ITALY Tel. +39 0521 680111 - Fax +39 0521 610701 info@custom.biz - www.custom.biz | DRAWING BY / DISEGNO DI <i>Luca Borchini</i> | | APPROVED BY / APPROVATO DA <i>Alberto Campanini</i> | | |
| | This drawing with all its information is CUSTOM S.p.A.'s property; it mustn't be followed (totally or partially), neither for construction nor spread without CUSTOM S.p.A.'s written permission. Questo disegno, con le informazioni in esso contenute, è di proprietà della CUSTOM S.p.A.; esso pertanto non deve essere riprodotto (interamente o parzialmente), né utilizzato per la costruzione, né divulgato in altro modo senza autorizzazione scritta da parte della CUSTOM S.p.A. | | | | |

Unless otherwise specified all units are in millimeters / Se non diversamente specificato tutte le unità di misura sono espresse in millimetri