

R Series User Manual



Shenzhen Yijietong Technology Co., Ltd

Tel:(86-755) 29881199

Fax:(86-755) 23156611

Add: (Yijietong Technology Industrial Park) Building 7, HangCheng Road, NanChang Second Industrial Zone, GuShu Community, XiXiang Street, Bao'An District, Shenzhen, CHINA

Contents

1.Safety Precaution.....	3
2.Initial Installation.....	4-5
3.The main technical specifications.....	5
4.Product Measurement	
R13 single screen.....	6
R15 single screen.....	7
R15-13 Dual Screen.....	8
5. Product appearance.....	9-11
6.Mainboard part.....	12-13
Appendix: Names of toxic and harmful substances or elements and their contents.	14

1. Safety Precautions

1. Select flat and vibration free table placed the machine;
2. The location of the machine should be chosen to avoid direct sunlight; temperature changes little, away from water and dust fewer places;
3. Please keep away from strong electromagnetic fields machine;
4. To avoid block or cover the vents, to avoid any kind into or fall into the machine. Prevent fire or electric shock;
5. In the areas of poor power quality or store this machine shall be equipped with a separate power supply to power;
6. The product uses standard wall outlet with earthling poles, cannot be arbitrarily changed. Should confirm whether the outlet voltage if the voltage nameplate of the drive match;
7. Make sure the ground prong of the power plug into a power outlet or power strip grounding jack, and make sure that grounding jack really grounded. If poorly grounded or ungrounded, will result in electric shock, fire or damage to the equipment;
8. The machine is best not to start with other high-power appliances frequently share a socket outlet should be located away from the cash register at the close and easy to swap to an emergency situation can be the fastest off the power;
9. This equipment shall be connected to a variety of cables in case of power failure to ensure that conduct, must take the screws tighten well. Plug or unplug cables;
10. Clean the machine, do not use a wet rag to wipe the body or chemicals, such as: gasoline, thinners, etc.;
11. When the machine fails, should immediately cut off the power to stop using, do not open or repair, shall promptly authorized people.

"WARNING": For the non-compliance with the above issues, as well as non-qualified service personnel or the use of non-designated by the Company to provide and repair parts for maintenance of all the consequences, the Company does not assume any responsibility.

2. Initial Installation

1, Unpacking

Immediately after receipt of the machine Unpacking checked and any damage to the shipping company shall immediately report the claim to the manufacturer. After unpacking also check the spare parts are complete.

2, Preparing for Installation

Examine the case for cleanliness, signs, marking, labeling is correct.

Check the working environment: Because the cash register is a precision instrument should be checked before using the surrounding environment meets the technical specifications of the cash register, if inconsistent please do not use cash registers!

3, the main technical specifications

Power supply voltage: 220VAC ~ ± 15%

Power: 36W ± 15%

Frequency: 50—60Hz

Temperature Operating: 0 °C ~ 40 °C

Storage: -20 °C ~ +55 °C

Relative humidity 20% ~ 93% (40 °C)

4, Preparing for use

1) Placed the machine, please note the cable line to ensure wires are neatly every fluent

2) Power (note: we must ensure a good power supply ground), open the machine host power switch.

3)System installation (cash registers at the factory with only DOS operating system, customers using genuine Windows operating system before installation).

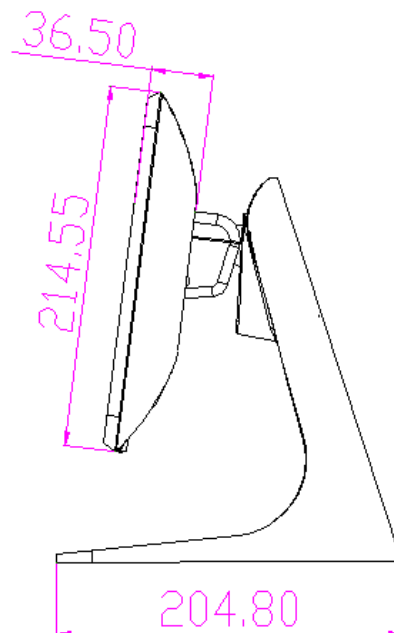
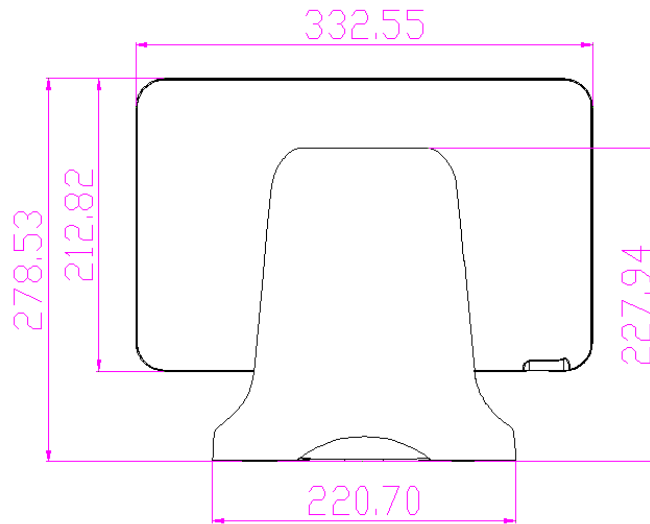
4)To perform some general sales operation and check monitors, printers, cash drawers and other peripherals working properly.

3 The main technical specifications

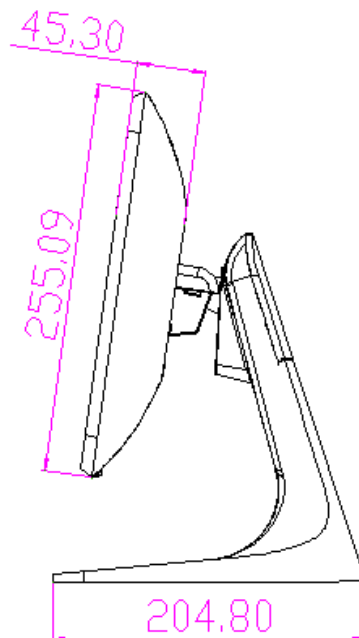
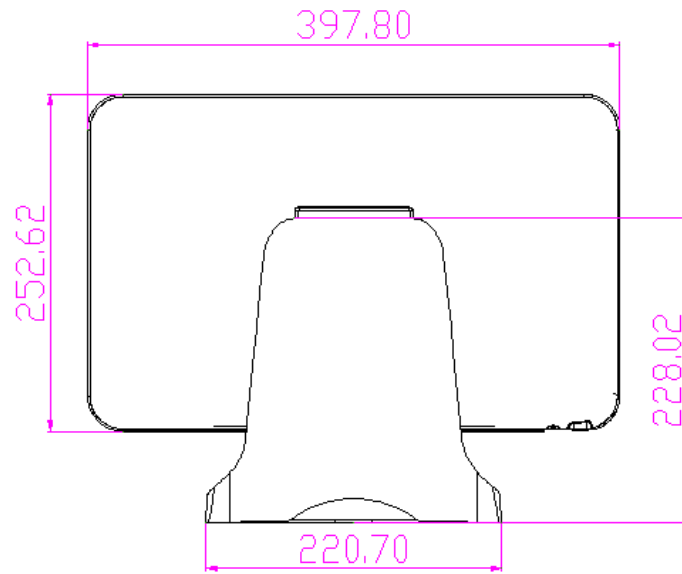
Main board configuration	
Processer (CPU)	RK3288 Quad-core A17 1.8GHz
System Memory (RAM)	2G
Storage Device (Flash)	8G
Display	
Size	13.3"/15.6"
Resolution:	1920*1080
I/O port	
USB port	6pcs
LAN port	1pcs
COM	1pcs RJ45(R13)/1pcs DB9+1pcs RJ45 (R15)
RJ11	1pcs
DC IN	1x DC 12V
TF Card	1pcs
Audio	1pcs
Operate Environment	
Working temperature	0-50℃
Humidity	20-90%
Operating system	Android 5.1

4. Product Measurement

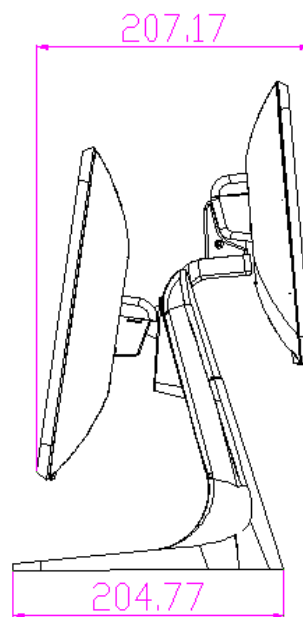
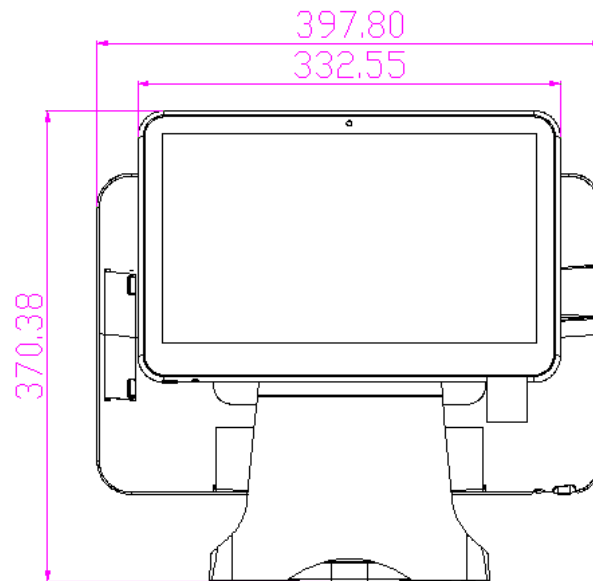
R13 Single Screen



R15 Single Screen



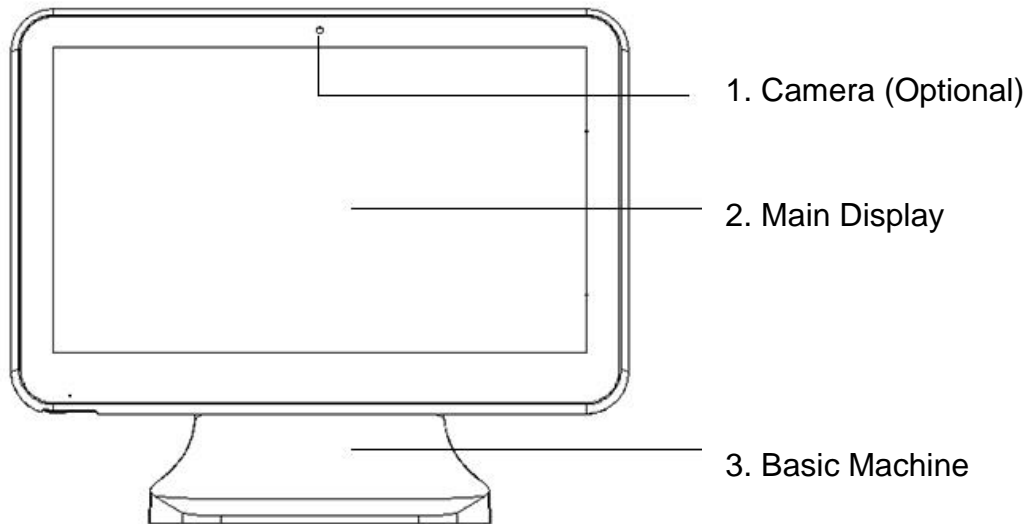
R15-13 Dual Screen



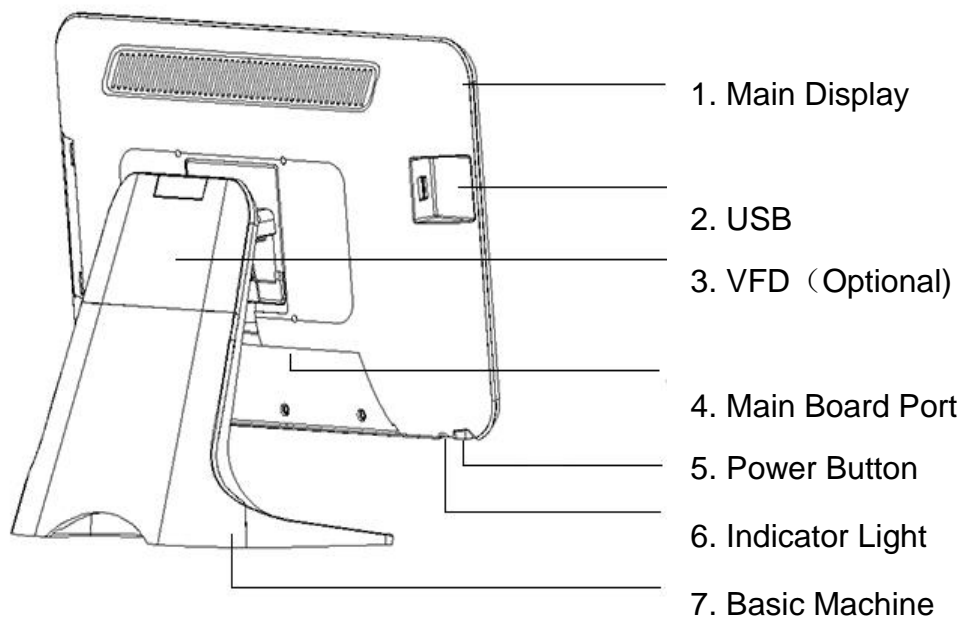
5. Product Appearance

1. Single Screen (Dual Screen)

Front

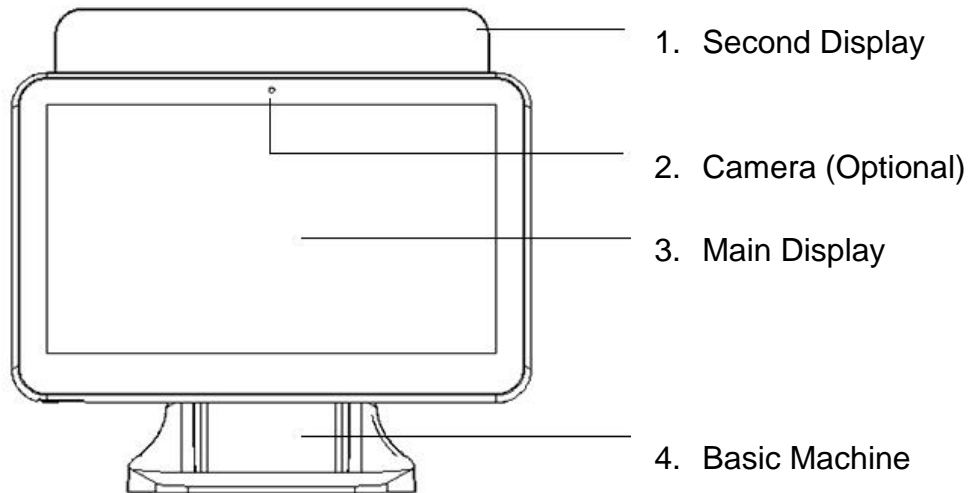


Back

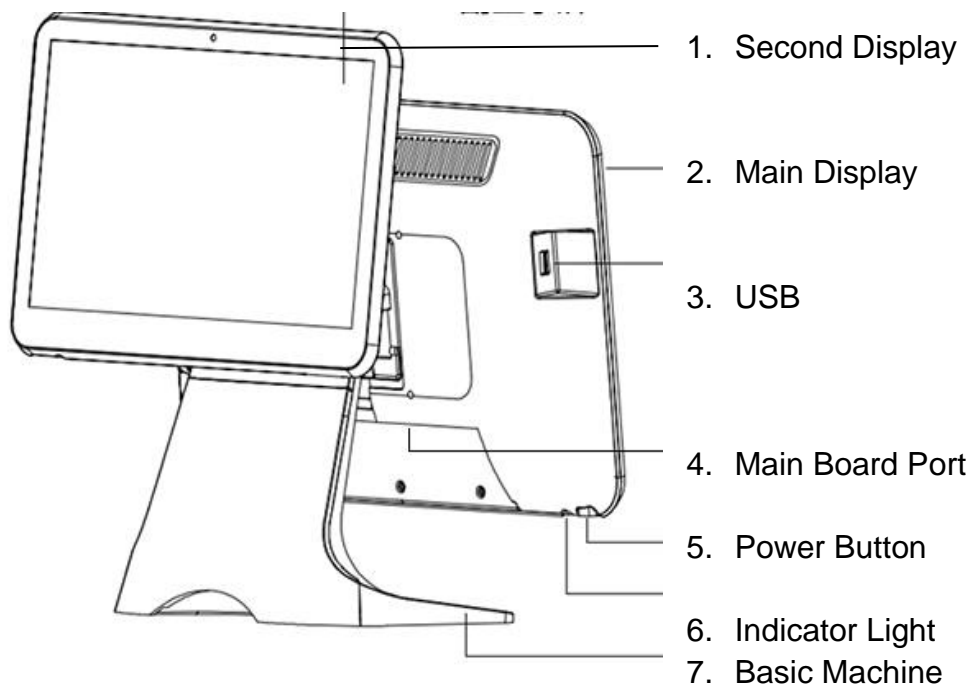


2. Dual Screen (R15-13)

Front



Back

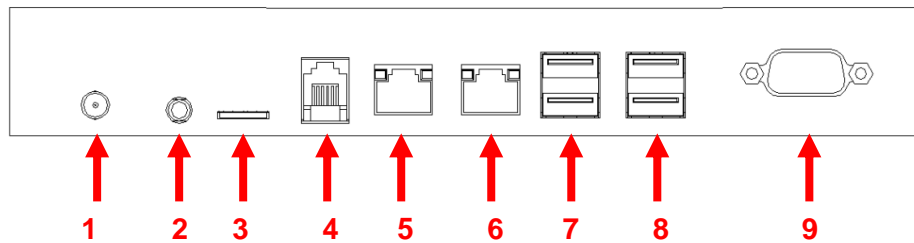


13.3inch LED display parameter

Item	Specification	Unit
Screen Diagonal	13.3	Inch
Active Area	293.76(H)×165.24(V)	mm
Pixel Pitch	0.153(H)×0.153(V)	mm
Resolution	1920×1080	-
Pixel Arrangement	R.G.B. Vertical stripe	-
Display Mode	Normally Black	-
White Luminance	220(Typ)	cd/m2
Contrast Ratio	1000:1(Typ)700:1(Min)	-
Viewing angle range	89(Typ)	Deg.
Response Time	25	ms
Operating Voltage	3.3V	V
Surface Treatment	Anti-glare (3H)	-
Outline Dimension	305.2(W)×187.9(V)×2.6(D)Typ.	mm
Input signal	eDP	-
Support Colors	16,777,216	-

15.6 inch LED display parameter

Item	Specification	Unit
Screen Diagonal	15.6	Inch
Active Area	344.16(H)×193.59(V)	mm
Pixel Pitch	0.17925(H)×0.17925(V)	mm
Resolution	1920×1080	-
Pixel Arrangement	R.G.B. Vertical stripe	-
Display Mode	Normally White	-
White Luminance	220(Typ)	cd/m2
Contrast Ratio	500:1(Typ)400:1(Min)	-
Viewing angle range	45(Typ)	Deg.
Response Time	16	ms
Operating Voltage	3.3V	V
Surface Treatment	Anti-glare	-
Outline Dimension	359.5(W)×206.5(V)×3.2(D)Typ.	mm
Input signal	eDP	-
Display Colors	6bit +Hi-FRC	-



NO.	Description
1	DC IN (Power input)
2	Audio (Audio input)
3	TF (TF card)
4	RJ11 (Cash drawer port)
5	RJ45 (COM port)
6	LAN (LAN port)
7	USB
8	USB
9	COM



Warm Tips:

This company does not provide any data restoration and the backup service. The company is not responsible for damage or loss of data, programs, or storage media. Please make sure you are in time to backup any information or programs that you consider valuable. Thank you for your cooperation!

Shenzhen Yijietong Technology Co., Ltd

Tel:(86-755) 29881199

Fax:(86-755) 23156611

Add: (Yijietong Technology Industrial Park) Building 7, HangCheng Road, NanChang Second Industrial Zone, GuShu Community, XiXiang Street, Bao'An District, Shenzhen, CHINA

Appendix: Names of toxic and harmful substances or elements and their contents

Part	Hazardous substance					
	Pb	Hg	Cd	Cr(VI)	PBB	PBDE
External device	x	x	o	o	o	o
Cable part	x	o	o	o	o	o
Switching power supply	x	x	o	o	o	o
Mainboard and PCBA	x	o	o	o	o	o
Memory	x	o	o	o	o	o
HDD/SSD	x	o	o	o	o	o
FAN	x	x	o	o	o	o
Plastic part	o	o	o	o	o	o
Aluminium alloy	x	o	o	x	o	o

o: Said the content of toxic and harmful substances in all homogeneous materials in the parts are specified in the SJ/T 113632006 limited the following requirements.

x: Said the content of toxic and harmful substances in at least one of the homogeneous materials beyond the limitation of SJ/T11363 - 2006 provisions; on the table in the "X" components, due to technical reasons at present can not achieve the replacement, follow-up will gradually improve.

Note: the peripheral component contains the keyboard, display, printer, cash drawer, adapter, customer display, laser gun or scanner.

FCC Warning

This device complies with part 15 of the FCC rules. Operation is subject to the following two conditions: (1) this device may not cause harmful interference, and (2) this device must accept any interference received, including interference that may cause undesired operation.

Changes or modifications not expressly approved by the party responsible for compliance could void the user's authority to operate the equipment.

NOTE: This equipment has been tested and found to comply with the limits for a Class B digital device, pursuant to part 15 of the FCC Rules. These limits are designed to provide reasonable protection against harmful interference in a residential installation. This equipment generates uses and can radiate radio frequency energy and, if not installed and used in accordance with the instructions, may cause harmful interference to radio communications. However, there is no guarantee that interference will not occur in a particular installation. If this equipment does cause harmful interference to radio or television reception, which can be determined by turning the equipment off and on, the user is encouraged to try to correct the interference by one or more of the following measures:

- Reorient or relocate the receiving antenna.
- Increase the separation between the equipment and receiver.
- Connect the equipment into an outlet on a circuit different from that to which the receiver is connected.
- Consult the dealer or an experienced radio/TV technician for help.

Radiation Exposure Statement

This equipment complies with FCC radiation exposure limits set forth for an uncontrolled environment. This equipment should be installed and operated with minimum distance 20cm between the radiator and your body.